



LGR 2800i LGR 3500i Owner's Manual

© 2023 Legend Brands, Inc.
Legend Brands, Inc.



1. Owner's Manual	5
1.1 Safety Warnings	6
1.2 Warranty and Registration	8
1.3 Controls and Operating	9
1.4 Command Hub	11
1.5 Errors and Warnings	13
1.6 At the End of the Job	15
1.7 Transporting and Storage	16
1.8 Maintenance Schedule	17
1.9 Troubleshooting	19
1.10 Specifications	20
1.11 Accessories Included	22
1.12 Additional Product Information	23
1.13 Service Technicians Only	24
2. Manual de instrucciones	27
2.1 Advertencias de seguridad	28
2.2 Registro de la garantía	30
2.3 Controles y Instrucciones de Operación	31
2.4 Cómo usar el Command Hub	33
2.5 Errores y Advertencias	35
2.6 Al final de la operación	37
2.7 Transporte y Almacenamiento	38
2.8 Programa de mantenimiento	39
2.9 Solucion de problemas	41
2.10 Especificaciones	43
2.11 Piezas incluidas	45
2.12 Información Adicional	46
2.13 Solo para técnicos del servicio	47
3. Manuel du propriétaire	50
3.1 Avertissements de Sécurité	52
3.2 Garantie et Enregistrement	54
3.3 Commandes et Mode d'emploi	55
3.4 Command Hub	57



3.5	Erreurs et Avertissements	59
3.6	À la Fin du Travail	61
3.7	Transport et Stockage	62
3.8	Programme d'entretien	63
3.9	Dépannage	65
3.10	Spécification	67
3.11	Pièces Incluses	69
3.12	Informations Supplémentaires	70
3.13	Pour les techniciens d'entretien seulement	71
4.	Print Manual	74
	Index	0

1 Owner's Manual

LGR 2800i

Model #110128

LGR 3500i

Model #110133

Legend Brands, Inc.

15180 Josh Wilson Road, Burlington, WA 98233

Phone: 800-932-3030

LegendBrands.com

Patents: *LBpatents.com*

© 2023 Legend Brands, Inc.



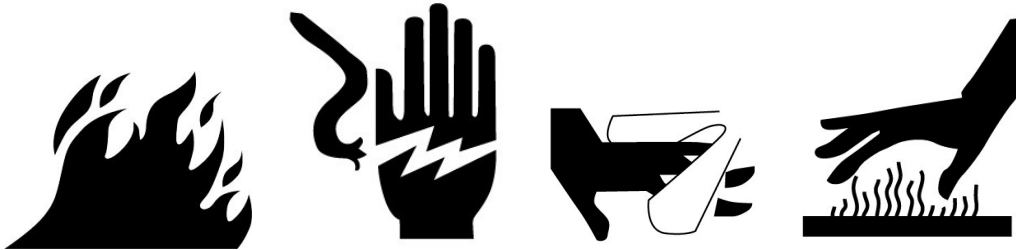
1.1 Safety Warnings

READ AND UNDERSTAND BEFORE OPERATING

SAFETY INSTRUCTIONS

WARNING

WARNING! Do not alter or modify your unit in any way. Use only replacement parts authorized by Legend Brands, Inc. Modifications or use of unapproved parts could create a hazard and will void your warranty. Contact your authorized distributor for assistance.



WARNING! Explosion or combustion hazard due to flammable refrigerant.

- Do not drill into or braze the dehumidifier.
- Do not attempt to service the refrigeration system! Only authorized service personnel should service the refrigeration system.
- Be aware that refrigerant gases can be odorless.

WARNING! Electric shock hazard, rotating fan, hot surface hazards. Unplug unit before opening cover for cleaning or servicing. Unit must be grounded.

- Inspect the power cord before use. If cord is damaged, do not use. Always grasp the plug (not the cord) to unplug.
- Insert three-prong plug on power cord into a matching electrically grounded outlet. Do not use adapter. Never cut off third prong. Do not use an extension cord.
- The unit must be operated on a 120V/60Hz circuit protected by a Ground Fault Circuit Interrupter (GFCI) device.
- Keep motor and wiring dry.
- Do not attempt to repair the unit. For Authorized Service Centers, contact Legend Brands.


NOTICE: Do not use in environments where corrosive chemicals are present, such as chlorine.

NOTICE: The unit should not be used by persons (including children) with reduced



physical, sensory or mental capabilities, or lack of experience and knowledge, unless they have been given supervision or instruction. Children should not be allowed to play with the unit.

For proper disposal, this unit should be taken to a recycling entity authorized to process refrigeration equipment.

 **WARNING:** This product may expose you to chemicals, including lead and phthalates, known to the State of California to cause cancer, birth defects, or other reproductive harm. For more information, go to www.P65Warnings.ca.gov

CONTAINS: FCC ID 2ADHKWINC3400; IC 20266-ATWINC3400; CAN-ICES-003(B)/MB-003(B)



1.2 Warranty and Registration

Visit [LegendBrands.com](https://www.legendbrands.com) to register your purchase. If you determine service is required, have your equipment model, serial number and original proof of purchase available and call your distributor for assistance with obtaining a return material authorization (RMA).



1.3 Controls and Operating

SET UNIT UPRIGHT

NOTICE: Transporting or storing the unit in a horizontal position is not recommended, as doing so can cause the oil from the compressor to flow into the refrigerant coils and reduce the ability of the dehumidifier to function and possibly damage the unit. If the unit has been placed in a horizontal position, set it upright and let it stand for at least 30 minutes before turning it on.

POSITIONING A DEHUMIDIFIER

For best results, operate your dehumidifiers in an enclosed area. Close all doors and windows that open to the outside to maximize the unit's water removal efficiency. Place your dehumidifier away from obstructions and keep it away from anything that could block airflow into and out of the unit.

SET UP DRAIN HOSE

This unit automatically pumps out water on a regular basis. The condensate pump connects to a plastic drainage hose that is located in the pocket on the side of the unit. This hose is equipped with a quick-connect fitting for quick attachment to the provided drain hose. Unwrap the entire hose and place the unattached end in a sink, drain, bucket or outdoors – anywhere that water can drain out safely. If you use a bucket or other container for water collection, check it regularly to prevent overflows.

NOTICE: Uncoil and straighten the entire drain hose. Do not leave any part of the hose coiled on the unit and do not place the end of the hose higher than 20 ft. (6 m) above the bottom of the unit. Also check for kinks or other obstructions that might restrict the flow of water. Obstructions may cause a water backup and result in overflows.

PLUG IN ELECTRICAL CORD

The dehumidifier should be plugged into a GFCI-protected 120 volt outlet rated for at least 15 amps.

FIG. A: FRONT

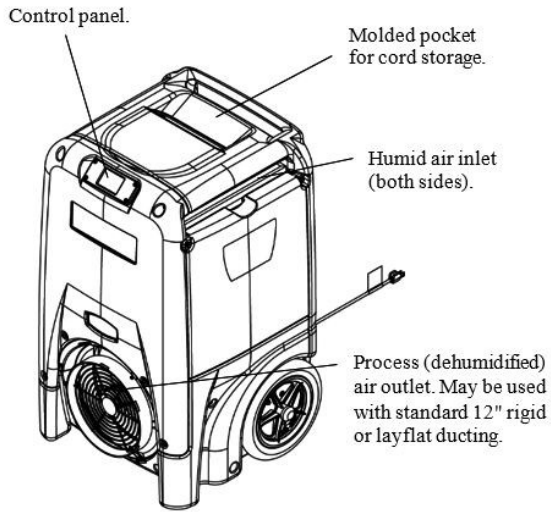
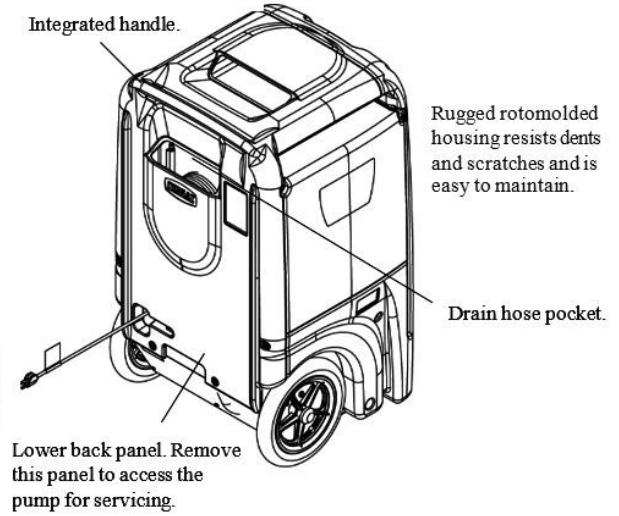


FIG. B: REAR



1.4 Command Hub

HOW TO USE THE COMMAND HUB

The i-Series Command Hub provides comprehensive dehumidifier controls and detailed real-time data about the drying environment as well as job hours, self-diagnosis messages, maintenance reminders and operating status.

For detailed information and additional instructions, please visit the Command Hub page at LegendBrands.com


HOME SCREEN VIEWS


Unit OFF

Unit must be plugged in.

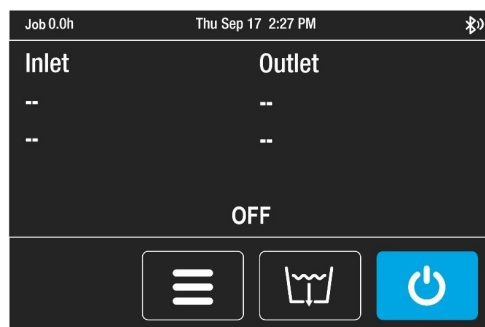
Top display bar:

Job hours, current time

Press  MENU to access settings and configuration controls

Press  PURGE to pump out condensate tank

Press  ON/OFF to turn unit on.



Unit ON

Press ON/OFF key to switch unit on.

Top display bar:

Job hours, current time

Information display:

Inlet/Outlet temp, %RH and GPP


Current GPP removal


Bottom menu bar:

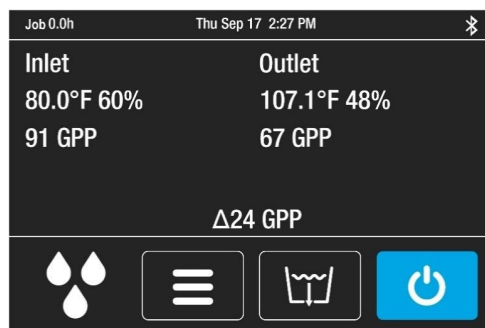


Quick-Reference Inlet GPP.

1: < 60 GPP; 2: 60–90 GPP; 3: > 90 GPP

Press  MENU to access settings and configuration controls

Press  PURGE to pump out condensate tank





Press  ON/OFF to turn unit off.



1.5 Errors and Warnings

If the control system detects a problem, it will display an "Alert" symbol in the upper right corner of the screen. Press ON/OFF to view the message and OK to clear the message. NOTE: In the case of an error, the unit will not operate until the problem is resolved. Refer to the explanations and solutions shown below. If these solutions do not fix the problem, contact your local authorized service center for further assistance.



CONTROL PANEL MESSAGE	EXPLANATION AND SOLUTION
ER4 Error Defrost Thermistor Connect —or— ER4 Error Outlet Thermistor Connect	Temp sensor is open, missing, or shorted. Check that temp sensors are installed correctly on control panel. If error persists, contact service.
ER5 Error Inlet RH1 Temp/RH Sensor	Inlet Temp/RH sensor is open, missing, or shorted. Check that inlet temp/RH sensor is installed correctly on control panel and inlet shroud. If error persists, contact service.
ER6 Error Current Sensor Failure	Current sensor failure. If error persists, contact service.
ER9 Error Pump Blocked	Check for obstructions in drain hose. Check the pump.
W1 Low BATTERY	Replace coin cell battery (3V, CR2032) on control panel.
W2 BLE Error W3 Flash Reset W4 WDT Reset	Cycle power to dehumidifier. If warning persists, contact service.



1.6 At the End of the Job

To reduce the possibility of drips when moving the unit, follow these additional steps to ensure that all water is removed from the unit.

NOTICE: To ensure all water is removed from the dehumidifier, the unit will complete the defrost cycle even if the unit is turned off. If the unit is unplugged during the defrost cycle, excessive water may accumulate in the unit and may drip out when you move the unit.

NOTICE: To ensure the condensate tank empties completely while purging, make sure the unit is placed upright on a horizontal surface.

- 1. Do not turn unit off or move it until it has returned to normal operating mode.**
- 2. Gently rock the machine to ensure any water remaining on interior surfaces falls into the sump area.**
- 3. Press the PURGE key. When the purge cycle is complete, turn the unit off.**
- 4. Coil power cord neatly, and place it in the cord storage pocket. This will prevent the cord from catching on the stairs and possibly damaging the cord.**



1.7 Transporting and Storage

IMPORTANT: Before moving, transporting or storing, purge unit and stow hose as described in the “At the End of the Job” section.

NOTICE: Always unplug power cord before moving, transporting, or storing the unit.

NOTICE: Handle the unit carefully. Do not drop, throw, or place the unit where it could fall. Rough treatment can damage this equipment and may create a hazardous condition or void warranty.

- Do not use or store near ignition sources, combustible gases, electric heaters or open flames.
- Do not expose the control panel to moisture, snow or rain.
- Store and transport securely to avoid any damaging impact to internal parts.
- Secure during transport to prevent sliding and possible injury to vehicle occupants
- Do not transport or store the unit on its front, sides or back. This will help to prevent any remaining moisture from escaping from the unit or flowing into areas outside the pump.

Special tip for transporting on stairs:

Before transporting unit on stairs, follow these additional steps to ensure that all water is removed from the unit:

1. Turn the unit off after a defrost cycle has been completed. Gently rock the upright machine on its wheels to ensure any water remaining on interior surfaces falls into the sump area.
2. Press the PURGE key. When the purge cycle is complete, turn the unit off.
3. Remove the external drain hose, drain it carefully, and return it to the pocket provided on the side of the unit.
4. **IMPORTANT:** Coil power cord and place it in the cord storage pocket to keep the cord from catching on stairs or other items and thus damaging the cord.



1.8 Maintenance Schedule

See SERVICE VIDEOS at [Legendbrands.com/resources/service-technical-support/](https://www.legendbrands.com/resources/service-technical-support/) for detailed instructions on maintaining this unit.

WARNING! Explosion or combustion hazard due to flammable refrigerant.

- Do not use in environments with combustible gases, electric heaters or open flames.
- Do not drill into or braze the dehumidifier.
- **Do not attempt to service the refrigeration system!** Only authorized service personnel should service the refrigeration system.
- Be aware that refrigerant gases can be odorless.

WARNING! ELECTRIC SHOCK HAZARD. Unplug unit before cleaning or servicing.

WARNING: Risk of dust and contaminants exposure. Use of respirator mask and gloves is recommended. If unit has been exposed to potentially dangerous contaminants, clean thoroughly and sanitize before reuse.

NOTICE: The unit is fitted with sensitive electronic sensors. Protect the sensors and their lead wires from damage and do not expose them to water or cleaning solution.

The following tools and supplies are needed to complete the maintenance procedures described in this manual:

- Philips and flat blade screwdrivers
- Needle-nose pliers
- 9/16 in. wrench
- 3/8 in. nut driver or socket
- 5/16 in. socket (to remove pump)
- 6 in. socket extension
- Ratchet wrench
- Cleaning cloths
- HEPA vacuum cleaner with soft brush nozzle and crevice nozzle.

Recommended

Cordless drill, small knife, small-jaw pliers, coil cleaning solution, Rotomolded housing cleaning solution.

BEFORE EACH USE

Inspect the electrical cord for damage. Look for fraying, cuts, etc. Do not use the unit if you find any damage. Contact your local authorized distributor for service.

Inspect filter. Replace if accumulation of dust and debris is visible.



NOTICE: Replace used filters only with a new Legend Brands 4-PRO filter part no. #121708 (F584) (24-pack). Other filter types do not provide adequate filtration or airflow. Each filter is individually wrapped to protect filtration effectiveness. Remove the wrapper before installing the filter into the dehumidifier.

MONTHLY

Inspect coils. Clean when dust accumulation is visible. In normal use, dust can accumulate and can restrict airflow, reducing performance and causing the unit to overheat. Use a vacuum cleaner with a brush tool and a soft cloth to remove any debris. Take care not to damage any interior components.

To maintain appearance, wipe interior and exterior surfaces with a damp cloth. For deep cleaning and a lasting, protective shine, use an automotive interior cleaner.

AS NEEDED

Clean pump check valve and basin. Remove grills and cover. Remove screws from pump base and lift out pump. Wipe out pump basin with a damp cloth. Inspect the pump base for build-up of debris and clean if needed. Unthread barbed fitting with check valve and rinse fitting and check valve with clean water. Reinstall check valve into barbed fitting and install the barbed fitting into pump. Do not over-tighten. Reinstall pump on base. Reinstall cover and grills.

Clean coils. With the cover removed, inspect both coils. If excessive dust and debris is present, vacuum thoroughly and/or clean with coil cleaner.



1.9 Troubleshooting

FAULT	CAUSE	SOLUTION
Water drips out when moving unit	Unit was unplugged before purging was complete.	Purge unit before moving. See AT THE END OF THE JOB ¹⁵ .
Unit does not operate	Unit not switched on. No power to machine.	Switch unit on. Plug in unit; check power cord connection at wall outlet.
Unit operating, but room not dry	Not enough time to dry. Poor air movement in room. Excessive moist air infiltration.	Make sure "Humidistat" is OFF. Allow more time for drying. Increase air movement with air movers. Seal off area to reduce infiltration.
Unit collects too little water	Room air is dry. Room temperature is too low. Filter is clogged. Coils are clogged.	Make sure "Humidistat" is OFF. Confirm humidity level with hygrometer. Increase room temperature. Check filter. Replace as necessary. Check coils. Clean as necessary.
<i>If the problem you are experiencing is not listed here, contact your Legend Brands location for further assistance.</i>		

1.10 Specifications

Model	LGR 2800i #110128	LGR 3500i #110133
Water removal AHAM @80°F/60% RH (26.7° C/60%RH)	140 pts. 66.2 liters / day	170 pts. 80.4 liters / day
Water removal saturation @90°F/90% RH (32.2° C/90%RH)	214 pts. 101.3 liters / day	270 pts. 127.8 liters / day
Water removal low grain @80°F/20% RH (26.7° C/20%RH)	19 pts. 9 liters / day	27 pts. 12.8 liters / day
Process air (max.)	400 CFM 680 CMH	400 CFM 680 CMH*
Max. Oper. Temp.	125°F 51.7°C	104°F 40°C
Dimensions (W × H × D)	40.5 × 23 × 24 in. 103 × 58 × 61 cm	40.5 × 23 × 24 in. 103 × 58 × 61 cm
Use Weight (w/ cord & hose)	160 lbs. 72.6 kg	160 lbs. 72.6 kg
Amps @80°F/60% RH) 26.7° C/60%RH	8.3A	10.8A
Input Current (104°F/35%RH 40° C/35%RH)	10.0A	12.8A
Power	120V, 60Hz, 996W	120V, 60Hz, 1296W
Refrigerant	R32, 0.524 kg (18.5 oz)	R32, 0.524 kg (18.5 oz)
Max. use altitude	10,000 ft. 3 km	10,000 ft. 3 km
Noise level (avg.)	70 dB	70 dB
Air filter	Part no. #121708 (F584) 24 pk.	Part no. #121708 (F584) 24 pk.
Drain hose	40 ft. 12.2 m	40 ft. 12.2 m



Power cord	25 ft. 7.6 m	25 ft. 7.6 m
Construction	Rotomolded shell	Rotomolded shell
Safety	Conforms to UL STD 60335-1 & 60335-2-40 Certified to CSA STD. C22.2 NO. 60335-1 & CO335-2-40	Conforms to UL STD 60335-1 & 60335-2-40 Certified to CSA STD. C22.2 NO. 60335-1 & CO335-2-40
<p><i>Specifications are subject to change without notice. Some values may be approximate.</i></p> <p><i>*Fan speed varies automatically for optimized performance.</i></p>		



1.11 Accessories Included

ACCESSORIES INCLUDED

40 ft. (12 m) of drain hose with quick-connect fitting.
4-PRO air filter. Reorder #121708 (F584) 24 pk.

OPTIONAL

Sto&Go Ducting #113260 (F405)



1.12 Additional Product Information

Additional product information and current documentation is available at LegendBrands.com.

Be sure to visit LegendBrands.com and register your purchase. Your registration will help us provide you with updated product information as needed.

For proper disposal, this unit should be taken to a recycler licensed to process refrigeration equipment.

1.13 Service Technicians Only

FOR SERVICE TECHNICIANS ONLY

Required safety procedures for servicing dehumidifiers with R32 refrigerant:

- Survey the area to ensure there are no sources of ignition that may lead to risk of fire and that there are no open flames or other potential ignition sources for refrigerant detection, and that leak detection equipment is set to a percentage of the LFL and is calibrated for the refrigerant used.
- Post “no smoking” signs.
- Display component inspection procedures before repair or maintenance to electrical components, including ensuring that capacitors are discharged, that there is bonding continuity, and that no electrical components or wiring are exposed.
- Disconnect the power supply before repair.
- Follow safety procedures for removal and evacuation of refrigerant, purging the circuit with inert gas, opening the circuit by cutting or brazing, and recovering charge into the correct recovery cylinders. If venting is not allowed by national codes, purging the system with oxygen-free nitrogen if the system is to be purged, venting the system to atmospheric pressure if oxygen-free nitrogen charge is used, and ensuring that the outlet for the vacuum pump is not close to any potential ignition sources.

Before decommissioning units containing R32 refrigerant, you must make sure:

- PPE is available and being used correctly and that the technician is completely familiar with the equipment.
- The recovery process is being supervised by a competent person.
- Electrical power is available before decommissioning and isolate the system electronically.
- Refrigerants can be recovered safely, taking an oil and refrigerant sample in case analysis is required prior to reuse of recovered refrigerant.
- Equipment is available for handling refrigerant cylinders if required. Make sure that recovery equipment and cylinders conform to the appropriate standards.
- Only appropriate cylinders (designated for R32 refrigerant and labeled as such) are used for recovery, and that the correct number of cylinders for holding the total charge are available.
- Cylinders are evacuated prior to use.
- Recovery equipment is working and instructions are available.
- Calibrated weighing scales are available, that hoses have leak free disconnect couplings and are in good condition.



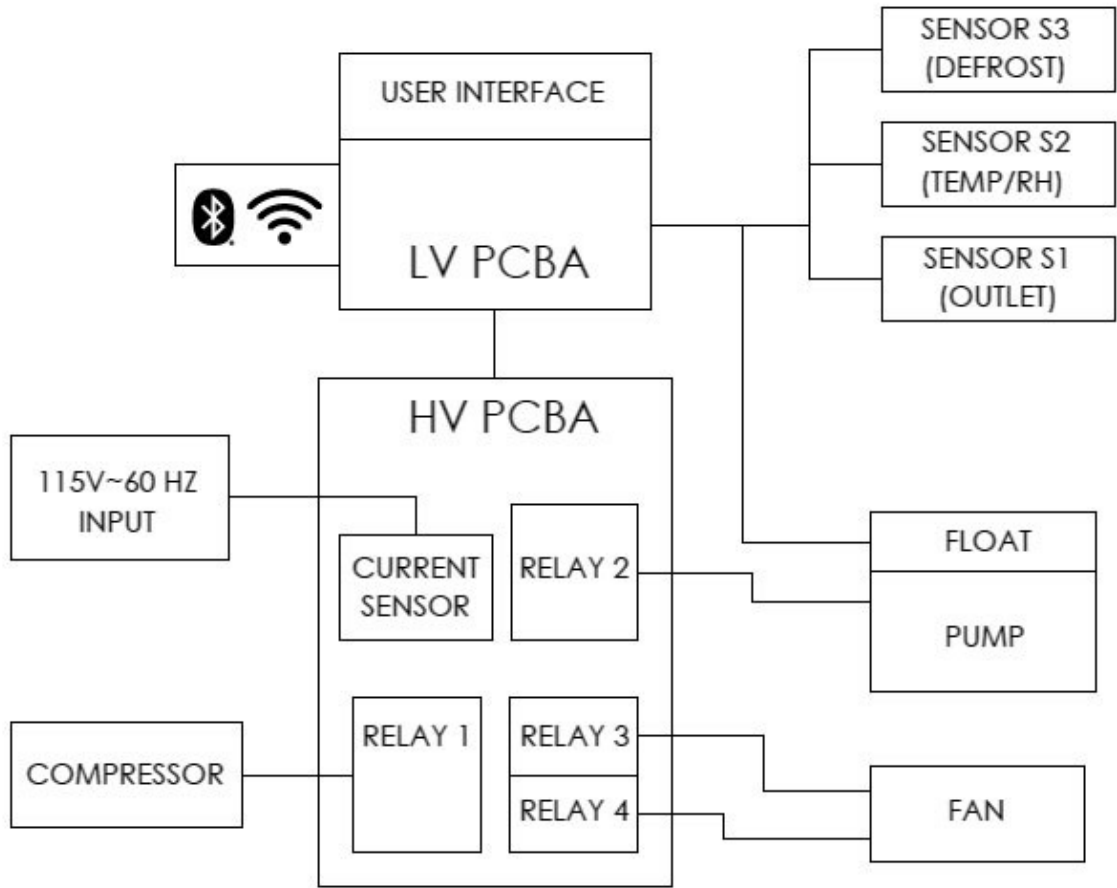
- The recovery machine is working properly and any potential ignition sources are sealed.
- There's not potential for mixing refrigerants in cylinders or recovery units.
- Compressors or compressor oils are properly evacuated if they are to be removed, and evacuating the compressor prior to returning the compressor to the suppliers if it is evacuated.
- Oil is drained out safely if it is to be drained out.

Decommissioning Process

- Pump down the refrigerant system if possible (otherwise making a manifold so that refrigerant can be removed from various parts), making sure that the cylinder is on the scales before recovering refrigerant.
- Operate the recovery machine in accordance with instructions, not filling cylinders to more than 80% liquid volume charge, not exceeding the max working pressure of the cylinders, and making sure that cylinders are filled correctly and removed from site after the process is completed.
- Do not charge recovered refrigerant into another system until it has been cleaned and checked.
- After completion, label the unit to show when it was decommissioned and emptied of refrigerant, that the label must be dated and signed, and ensuring that there are labels on the equipment stating that it contains flammable refrigerant.

DEHUMIDIFIERS WIRING BLOCK DIAGRAM

(For Service Technicians Only)



2 Manual de instrucciones

DESHUMIDIFICADOR PORTÁTIL LGR 2800I

Modelo #110128

DESHUMIDIFICADOR PORTÁTIL LGR 3500I

Modelo #110133

Legend Brands, Inc.

15180 Josh Wilson Road, Burlington, WA 98233

Teléfono: 800-932-3030

LegendBrands.com

Patentes: LBpatents.com

© 2023 Legend Brands, Inc.



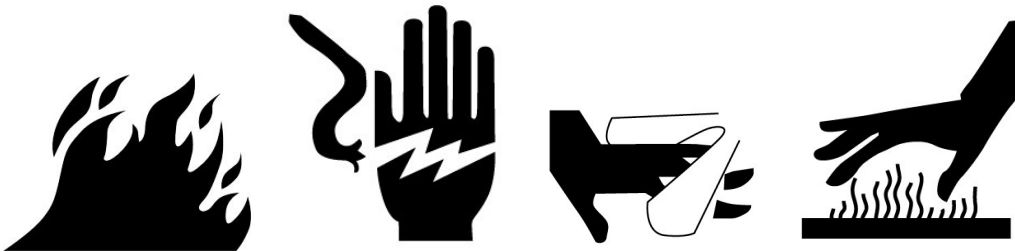
2.1 Advertencias de seguridad

LEA Y GUARDE ESTAS INSTRUCCIONES

IMPORTANTES INSTRUCCIONES DE SEGURIDAD

⚠ ADVERTENCIA

ADVERTENCIA! Peligro de sufrir una descarga eléctrica, lastimarse con el ventilador rotatorio y quemarse con una superficie caliente. Desenchufe la unidad antes de abrir la tapa para limpiarla o hacerle mantenimiento. La unidad debe tener descarga a tierra.



¡ADVERTENCIA! Peligro de explosión o combustión debido a refrigerante inflamable.

- No perforo ni suelde el deshumidificador.
- No intente reparar el sistema de refrigeración. Solo el personal de servicio autorizado debe realizar mantenimiento del sistema de refrigeración.
- Tenga en cuenta que los gases refrigerantes pueden ser inodoros.

¡ADVERTENCIA! Desconecte la unidad antes de limpiarla o darle mantenimiento.


- Apague la unidad y desconéctela antes de levantarla o moverla.
- Maneje la unidad con cuidado. Opere siempre la unidad sobre una superficie estable y nivelada. No la deje caer, no la tire ni la coloque donde pueda caerse. Un trato brusco puede dañar la unidad y puede generar una condición peligrosa o anular la garantía.
- Inspeccione el cable de alimentación antes de utilizar la unidad. Si el cable está dañado, no utilice la unidad. Sujete siempre la clavija (no el cable) para desconectarla.
- La unidad debe operarse en un circuito de 115V/60 Hz protegido por un dispositivo interruptor de circuito por falla en tierra (GFCI, por sus siglas en inglés).
- No intente reparar la unidad. Para consultar una lista de los Centros de Servicio Autorizados, comuníquese con Legend Brands.



AVISO: No lo utilice en entornos en los que haya sustancias químicas corrosivas, como el cloro.

AVISO: La unidad no debe ser utilizada por personas (incluidos niños) con capacidades físicas, sensoriales o mentales reducidas, o con falta de experiencia y conocimiento, a menos que se les brinde supervisión o instrucción. No se debe permitir que los niños jueguen con la unidad.

Para una eliminación adecuada, esta unidad debe llevarse a una entidad de reciclado autorizada para procesar equipos de refrigeración.

 **ADVERTENCIA:** Este producto puede exponerlo a sustancias químicas entre las que se incluyen plomo y ftalatos, los cuales son considerados en el estado de California como causantes de cáncer, defectos congénitos u otros daños durante la gestación. Para obtener más información, visite www.P65Warnings.ca.gov

CONTIENE: FCC ID 2ADHKWINC3400; IC 20266-ATWINC3400; CAN-ICES-003(B)/MB-003(B)



2.2 Registro de la garantía

Visite [LegendBrands.com](https://www.legendbrands.com) para registrar su compra. Si usted considera que la unidad necesita recibir servicio, tenga a la mano la información sobre el modelo de su equipo, el número de serie y el comprobante de compra original, y llame a su distribuidor para que le ayude a obtener una autorización de devolución de materiales (RMA, por sus siglas en inglés).

2.3 Controles y Instrucciones de Operación

COLOQUE LA UNIDAD EN POSICIÓN VERTICAL

AVISO: No se recomienda transportar o almacenar la unidad en posición horizontal. Si se encuentra en posición horizontal, el aceite del compresor puede fluir hacia las bobinas del refrigerante y reducir la capacidad del deshumidificador, e incluso dañar la unidad. Si la unidad se ha colocado en posición horizontal, cámbiela para que quede en posición vertical y déjela reposar durante mínimo 30 minutos antes de encenderla.

COLOCACIÓN DEL DESHUMIDIFICADOR

Para obtener los mejores resultados, utilice los deshumidificadores en un área cerrada. Cierre todas las puertas y ventanas que se abren al exterior para aumentar al máximo la eficiencia de eliminación de agua de la unidad. Coloque el deshumidificador sin obstrucciones, lejos de cualquier objeto que pueda bloquear el flujo de aire que entra y sale de la unidad. Para obtener más información sobre cómo crear un ambiente óptimo de secado, comuníquese con su sucursal de Legend Brands.

INSTALE LA MANGUERA DE DRENAJE

Esta unidad bombea automáticamente el agua hacia afuera de forma uniforme. La bomba de condensado del Unit se conecta a una manguera de drenaje de plástico que se encuentra en el compartimento lateral de la unidad. Esta manguera está equipada con un accesorio que permite conectarla rápidamente con la manguera de drenaje de 40 pies (12 m). Desenrolle toda la manguera y coloque el extremo suelto en un fregadero, desagüe, cubeta, al aire libre o en cualquier lugar en que el agua pueda drenarse de forma segura. Si utiliza una cubeta u otro recipiente para recolectar el agua, verifique periódicamente que no se desborde.

AVISO: Desenrolle y estire toda la manguera de drenaje. No deje ninguna parte de la manguera enrollada en la unidad y no coloque el extremo de la manguera a más de 20 pies (6 m) por encima de la parte inferior de la unidad. También revise que la manguera no esté torcida y que no haya obstrucciones que disminuyan el flujo del agua. Las obstrucciones pueden causar que el agua se regrese, lo cual puede dar como resultado algún desbordamiento.

CONECTE EL CABLE ELÉCTRICO

El deshumidificador Unit debe conectarse a una toma de corriente de 120 voltios con protección GFCI para un mínimo de 15 amperios.

FIG. A: PARTE DELANTERA

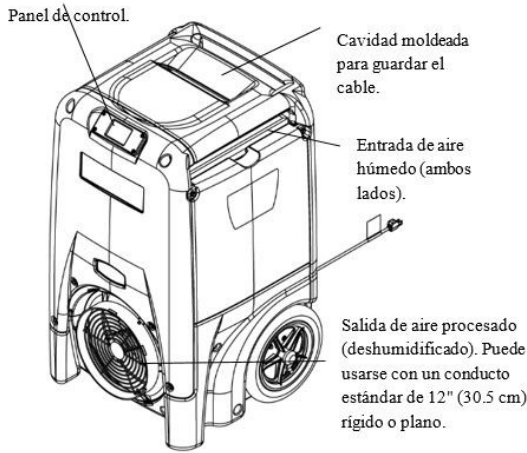
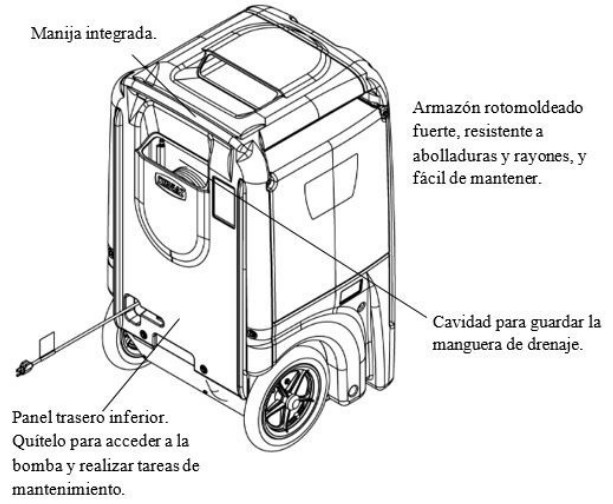


FIG. B: PARTE TRASERA



2.4 Cómo usar el Command Hub


CÓMO USAR EL COMMAND HUB


El Command Hub integrales para deshumidificadores y datos precisos en directo acerca del ambiente que se está deshumidificando, además de las horas de funcionamiento, mensajes de autodiagnóstico, recordatorios de mantenimiento y el estado operativo.


Para obtener información detallada e instrucciones adicionales, visite la página del Command Hub en LegendBrands.com.


VISUALIZACIONES DE LA PANTALLA PRINCIPAL

Unidad APAGADA
La unidad debe estar enchufada.
Barra superior de la pantalla:
 Horas de funcionamiento, hora actual

Presione MENÚ  para acceder a los controles de ajustes y configuraciones


Presione PURGA  para vaciar el tanque de condensado


Presione ENCENDER/APAGAR  para encender la unidad


Trabajo 0.0h
Jue Sep 17 2:27 PM


Entrada	Salida
--	--
--	--


APAGADO









Unidad ENCENDIDA
Presione la tecla ENCENDER/APAGAR para encender la unidad.
Barra superior de la pantalla:
 Horas de funcionamiento, hora actual
 Pantalla de información:
 Temperatura de entrada/salida, % de HR y granos de humedad por libra de aire seco (GPP)


Eliminación de los GPP actuales
Barra inferior del menú:
 GPP de entrada de referencia rápida.
 1: <60 GPP; 2: 60–90 GPP; 3:> 90 GPP


Trabajo 0.0h
Jue Sep 17 2:27 PM



Entrada	Salida
80.0°F 60%	107.1°F 48%
91 GPP	67 GPP

Δ24 GPP










Presione MENÚ  para acceder a los controles de ajustes y configuraciones

Presione PURGA  para vaciar el tanque de condensado

Presione ENCENDER/APAGAR  para apagar la unidad



2.5 Errores y Advertencias

Si el sistema de control detecta un problema, mostrará un símbolo de "Alerta" en la esquina superior derecha de la pantalla. Presione ON / OFF para ver el mensaje y OK para borrar el mensaje. NOTA: En caso de error, la unidad no funcionará hasta que se resuelva el problema. Consulte las explicaciones y soluciones que se muestran a continuación. Si estas soluciones no solucionan el problema, comuníquese con su centro de servicio autorizado local para obtener más ayuda.

MENSAJE DEL PANEL DE CONTROL	EXPLICACIÓN Y SOLUCIÓN
<p>ER4 Error Conexion de Termistor de Descongelar —or— Conexion de Termistor de Salida</p>	<p>El sensor de temperatura está abierto, no está o hay un cortocircuito. Verifique que los sensores de temperatura están instalados correctamente en el panel de control. Si el error continúa, comuníquese con el servicio técnico</p>
<p>ER5 Error Sensor de Entrada RH1 Temp/RH</p>	<p>El sensor de temperatura/humedad relativa de entrada está abierto, no está o hay un cortocircuito. Verifique que el sensor de temperatura/humedad relativa de entrada esté instalado correctamente en el panel de control y la cubierta de entrada. Si el error continúa, comuníquese con el servicio técnico.</p>
<p>ER6 Error Falla de Sensor de Energía</p>	<p>Falla del sensor de corriente. Si el error continúa, comuníquese con el servicio técnico.</p>
<p>ER9 Error Bomba Obstruida</p>	<p>Compruebe que no haya obstrucciones ¿La manguera está acodada debajo de la unidad o aplastada por una rueda? Verifique que no haya bloqueos en la bomba y repare de ser necesario.</p>
<p>W1 Bajo BATERÍA</p>	<p>Reemplace la batería de tipo botón (3V, CR2032) en el panel de control.</p>
<p>W2 BLE Error W3 Reinici Flash W4 WDT</p>	<p>Apague y encienda el deshumidificador. Si la advertencia persiste, comuníquese con el servicio.</p>



2.6 Al final de la operación

Para reducir la posibilidad de goteos al mover la unidad, siga estos pasos adicionales para asegurarse de que toda el agua sea retirada de la unidad.

AVISO: Para asegurar que toda el agua sea quitada del deshumidificador, la unidad habrá de completar el ciclo de descongelamiento incluso si se halla apagada. Si la unidad fuera desenchufada durante el ciclo de descongelamiento, es posible que se acumule en la misma el exceso de agua y gotear cuando se la traslade.

AVISO: Para asegurarse de que el tanque de condensado se vacíe por completo mientras se hace el purgado, asegúrese de que la unidad esté en posición vertical sobre una superficie horizontal.

- 1. Si la unidad está en un ciclo de descongelamiento, espere hasta que regrese al modo normal de funcionamiento antes de proceder.**
- 2. Mueva suavemente la máquina para asegurarse de que cualquier resto de agua en las superficies interiores caiga en el área del colector.**
- 3. Pulse la tecla de PURGADO. Cuando se complete el ciclo de purgado, apague la unidad.**
- 4. Enrolle el cable de alimentación con cuidado y colóquelo en el bolsillo de almacenamiento del cable. Esto evitará que el cable se enganche en las escaleras y posiblemente lo dañe.**

2.7 Transporte y Almacenamiento

IMPORTANTE: Antes de mover, transportar o almacenar la unidad, púrguela y almacene la manguera tal como se describe en la sección “Al finalizar el trabajo” más arriba.

AVISO: Desenchufe siempre el cable de alimentación antes de mover, transportar o almacenar la unidad.

AVISO: Maneje la unidad con cuidado. No la deje caer, no la tire ni la coloque donde pueda caerse. Un trato brusco puede dañar el equipo y puede generar una condición peligrosa o anular la garantía.

- No utilice en entornos con gases combustibles, calentadores eléctricos o llamas abiertas.
- No exponga el panel de control a la humedad, la nieve o la lluvia.
- Almacene y transporte de forma segura para evitar impactos dañinos en las partes internas.
- Sujete durante su transporte para prevenir su deslizamiento y posibles lesiones a los ocupantes del vehículo.
- No almacene ni transporte la unidad apoyada sobre el frente, los lados o la parte posterior. Esto ayudará a prevenir que la humedad que quede salga de la unidad o llegue a áreas fuera del sumidero.

Consejo especial para el transporte en escaleras:

Antes de cargar la unidad en escaleras, siga estos pasos adicionales para asegurar que se elimine toda el agua:

1. Apague la unidad una vez que haya terminado el ciclo de descongelación. Agite suavemente la máquina en posición vertical sobre sus ruedas para asegurarse de que el agua que quede en las superficies interiores caiga al área del recolector.
2. Presione la tecla PURGA. Cuando el ciclo de purga haya finalizado, apague la unidad.
3. Retire la manguera de drenaje externa, escúrrala con cuidado y vuelva a colocarla en el compartimento lateral de la unidad.
4. **IMPORTANTE:** Quite el cable de alimentación, enróllelo cuidadosamente y colóquelo en el bolsillo de almacenamiento del cordón.

2.8 Programa de mantenimiento

Consulte los VIDEOS DE SERVICIO en [Legendbrands.com/resources/service-technical-support/](https://www.legendbrands.com/resources/service-technical-support/) para obtener instrucciones detalladas sobre el mantenimiento de esta unidad.

¡ADVERTENCIA! Peligro de explosión o combustión debido a refrigerante inflamable.

- No utilice en entornos con gases combustibles, calentadores eléctricos o llamas abiertas.
- No perforo ni suelde el deshumidificador.
- No intente reparar el sistema de refrigeración. Solo el personal de servicio autorizado debe realizar mantenimiento del sistema de refrigeración.
- Tenga en cuenta que los gases refrigerantes pueden ser inodoros.

¡ADVERTENCIA! PELIGRO DE DESCARGA ELÉCTRICA. Desconecte la unidad antes de limpiarla o darle mantenimiento.

¡ADVERTENCIA! Riesgo de exposición al polvo y a contaminantes. Se recomienda utilizar una máscara con respirador y guantes. Si la unidad ha estado expuesta a contaminantes potencialmente peligrosos, limpie y desinfecte la unidad a fondo antes de volver a utilizarla.

AVISO: La unidad está equipada con sensores electrónicos sensibles. Proteja los sensores y las puntas de sus cables contra daños y no los exponga al agua ni a la solución de limpieza.

Las siguientes herramientas y suministros se necesitan para realizar los procedimientos de mantenimiento descritos en este manual:

- Desarmadores Philips y de punta plana
- Pinzas con puntas de aguja
- Llave de 9/16 pulg.
- Llave de tuercas o de dado, de 3/8 pulg.
- Llave de dado de 5/16 pulg. (para retirar la bomba)
- Extensión para llave de dado de 6 pulg.
- Matraca
- Paños de limpieza
- Aspiradora HEPA con boquilla de cepillo suave y boquilla estrecha.

Recomendado

Taladro inalámbrico, cuchillo pequeño, alicates pequeños, solución de limpieza para bobinas, solución de limpieza para caja rotomoldeada



ANTES DE CADA UTILIZACIÓN

Revise si el cable eléctrico está dañado. Busque quemaduras, cortaduras, etc. No utilice la unidad si encuentra algún daño. Comuníquese con su distribuidor autorizado local para obtener servicio.

Inspeccione el filtro: reemplácelo si observa que hay acumulación de polvo y suciedad.

AVISO: Reemplace los filtros usados con un filtro nuevo Legend Brands, 4-PRO número de pieza #121708 (F584) (paquete de 24). Otros tipos de filtros no proporcionan filtración o flujo de aire adecuados. Cada filtro se envuelve individualmente para conservar la eficiencia de la filtración. Quite la envoltura antes de instalar el filtro en el deshumidificador.

CADA MES

Inspeccione las bobinas. Limpie cuando la acumulación de polvo sea visible. Con el uso normal, el polvo puede acumularse y puede restringir el flujo del aire, lo cual reduce el rendimiento y ocasiona que la unidad se sobrecaliente. Utilice una aspiradora con un cepillo y un paño suave para eliminar cualquier residuo. Tenga cuidado de no dañar los componentes internos.

Para mantener una buena apariencia, limpie las superficies interiores y exteriores con un paño húmedo. Para una limpieza profunda y un brillo duradero y protector, utilice un limpiador para interiores de automóviles.

SEGÚN SE REQUIERA

Limpie la válvula de retención y el depósito de la bomba. Quite las parrillas y la cubierta según. Quite los tornillos de la base de la bomba y sáquela. Limpie el depósito de la bomba con un paño húmedo. Revise si hay escombros acumulados en la base de la bomba y límpiela en caso de ser necesario. Desenrosque la boquilla estriada de la válvula de retención y enjuague la boquilla y la válvula de retención con agua limpia. Vuelva a instalar la válvula de retención en la boquilla estriada e instale la boquilla en la bomba. No apriete demasiado. Vuelva a instalar la bomba en la base. Vuelva a instalar la cubierta y las parrillas.

Limpie las bobinas. Con la cubierta retirada, inspeccione las dos bobinas. Si hay polvo y suciedad, limpie a fondo con una aspiradora o limpie con limpiador para bobinas

2.9 Solucion de problemas

FALLA	CAUSA	SOLUCIÓN
Gotea agua cuando se mueve la unidad	Se desconectó la unidad antes de terminar de purgar.	Purgue la unidad antes de moverla. Vea AL FINAL DE LA OPERACIÓN ³⁷ .
La unidad no funciona	La unidad no está encendida. No hay alimentación a la máquina.	Encienda la unidad. Conecte la unidad, revise la conexión del cable de alimentación en el tomacorriente de la pared.
La unidad funciona, pero la habitación no se seca	El tiempo no es suficiente para el secado. Poco movimiento del aire en la habitación. Infiltración excesiva de aire húmedo.	Permita más tiempo para el secado. Aumente el movimiento del aire con ventiladores. Selle el área para reducir la infiltración.
La unidad recoge muy poca agua	El aire de la sala es seco. La temperatura de la sala es demasiado baja. El filtro está lleno. Las bobinas están obstruidas.	Verifique que "Humidistat" esté apagado. Confirme el nivel de humedad con un higrómetro. Aumente la temperatura de la sala. Examine el filtro. Reemplácelo de ser necesario. Examine las bobinas. Límpielas de ser necesario.
Si el problema que experimenta no está en esta lista, llame a su distribuidor local a la línea sin costo de nuestro departamento de servicio al 800-932-3030 para obtener más ayuda.		



2.10 Especificaciones

Modelo	LGR 2800i #110128	LGR 3500i #110133
Extracción de agua AHAM @80°F/60% RH 26.7° C/60% de humedad relativa	140 pts. 66.2 litros / dia	170 pts. 80.4 litros / dia
Saturación de la extracción de agua @90°F/90% 32.2°C/90% de humedad relativa	214 pts. 101.3 litros / dia	270 pts. 127.8 litros / dia
Extracción de agua de grano bajo @80°F/20% 26.7°C/20% de humedad relativa	19 pts. 9 litros / dia	27 pts. 12.8 litros / dia
Cantidad máxima de aire procesado	400 CFM 680 CMH	400 CFM 680 CMH*
Máx. Oper. Temp.	125°F 51.7°C	104°F 40°C
Dimensiones (altura x profundidad x ancho)	40.5 x 23 x 24 in. 103 x 58 x 61 cm	40.5 x 23 x 24 in. 103 x 58 x 61 cm
Peso	160 lbs. 72.6 kg	160 lbs. 72.6 kg
Amperes @80°F/60% RH) 26.7° C/60%RH	8.3A	10.8A
Corriente de entrada (104°F/35%RH 40° C/35%RH)	10.0A	12.8A
Potencia	120V, 60Hz, 996W	120V, 60Hz, 1296W
Refrigerante	R32, 0.524 kg (18.5 oz)	R32, 0.524 kg (18.5 oz)
Altitud máxima de uso	10,000 ft. 3 km	10,000 ft. 3 km
Nivel de ruido promedio	70 dB	70 dB
Filtro de aire	Part no. #121708 (F584) (paquete de 24)	Part no. #121708 (F584) (paquete de 24)
Manguera de drenaje	40 ft. 12.2 m	40 ft. 12.2 m
Cable de alimentación	25 ft. 7.6 m	25 ft. 7.6 m
Construcción	Carcasa rotomoldeada	Carcasa rotomoldeada





2.11 Piezas incluidas

PIÈCES INCLUSES

40 ft. (12 m) Manguera de desagüe de 40 pies (12 m) con conexión de acoplamiento rápido.

4-PRO filter #121708 (F584) (24 pk.)

OPTIONAL

Sto&Go Ducting #113260 (F405)



2.12 Información Adicional

Información adicional del producto y documentos actualizados disponibles en LegendBrands.com.

Vele por visitar LegendBrands.com y registrar su compra. Su registro nos ayudará a brindarle información actualizada del producto en función de sus necesidades.

Para desecharla de forma adecuada, esta unidad debe llevarse a un reciclador licenciado que se encargue de equipos de refrigeración.

2.13 Solo para técnicos del servicio

SOLO PARA TÉCNICOS DEL SERVICIO

Procedimientos de seguridad requeridos para el mantenimiento de deshumidificadores con refrigerante R32:

- Inspeccione el área para asegurarse de que no haya fuentes de ignición que puedan provocar riesgo de incendio y que no haya llamas abiertas u otras posibles fuentes de ignición para la detección de refrigerante, y que el equipo de detección de fugas esté configurado en un porcentaje del LFL y se haya calibrado para el refrigerante utilizado.
- Coloque carteles de "Prohibido fumar".
- Muestre los procedimientos de inspección de componentes antes de la reparación o el mantenimiento de los componentes eléctricos, lo que incluye asegurarse de que los condensadores estén descargados, que haya continuidad de unión y que no haya componentes eléctricos o cableado expuestos.
- Desconecte la fuente de alimentación antes de reparar la unidad.
- Siga los procedimientos de seguridad para la extracción y evacuación del refrigerante, purgando el circuito con gas inerte, abriendo el circuito mediante corte o soldadura y recuperando la carga en los cilindros de recuperación correctos. Si los códigos nacionales no permiten la ventilación, se debe purgar el sistema con nitrógeno sin oxígeno si la purga debe realizarse, ventilar el sistema a presión atmosférica si se utiliza carga de nitrógeno sin oxígeno y garantizar que la salida de la bomba de vacío no esté cerca de ninguna fuente de ignición potencial.

Antes de retirar del servicio activo las unidades que contienen refrigerante R32, debe asegurarse de lo siguiente:

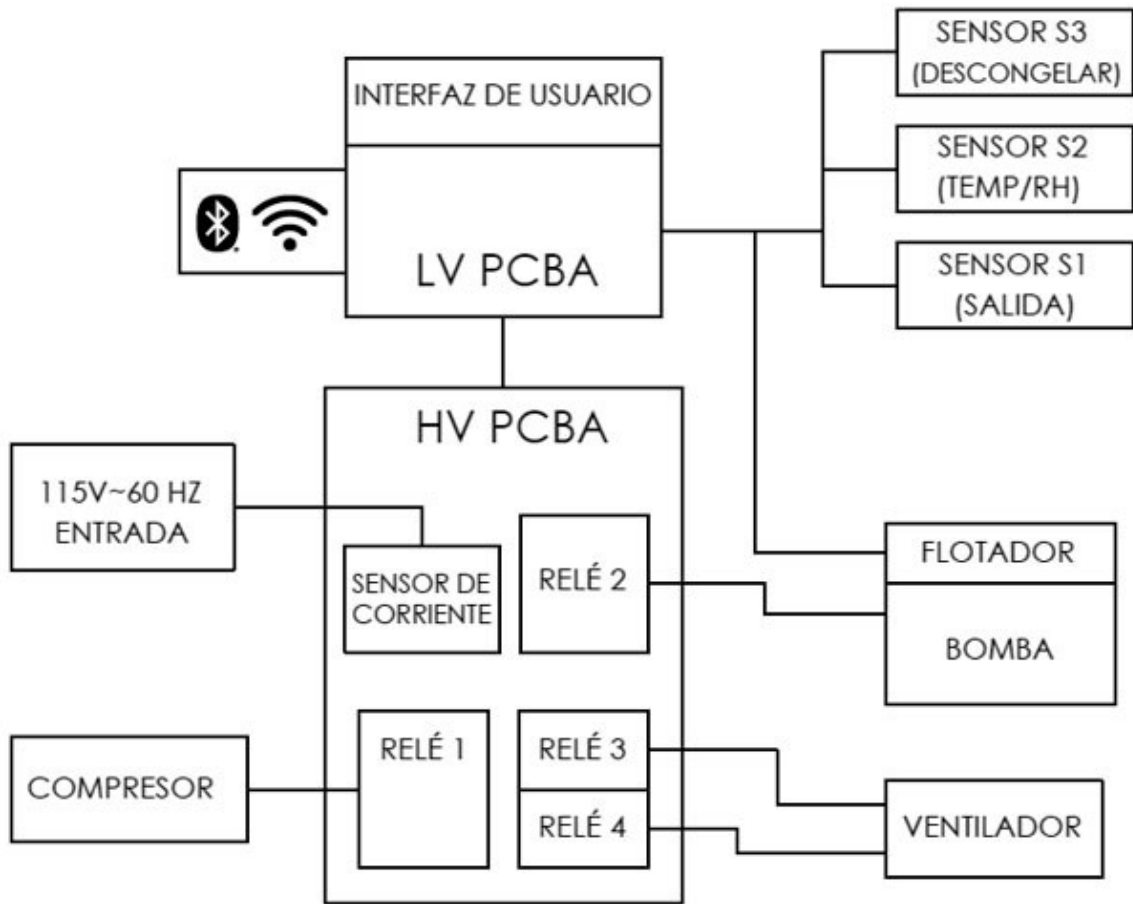
- Hay disponible equipo de protección personal (EPP) y se lo utiliza correctamente, y el técnico está completamente familiarizado con el equipo.
- Una persona competente supervisar el proceso de recuperación.
- La energía eléctrica está disponible antes del retiro del servicio activo y se aísla el sistema electrónicamente.
- Los refrigerantes pueden recuperarse de manera segura, y se debe tomar una muestra de aceite y refrigerante en caso de que se requiera un análisis antes de reutilizar el refrigerante recuperado.
- El equipo está disponible para la manipulación de los cilindros de refrigerante si es necesario. Asegúrese de que el equipo de recuperación y los cilindros cumplan con los estándares adecuados.
- Solo se utilizan cilindros apropiados (designados para refrigerante R32 y etiquetados como tales) para la recuperación, y la cantidad correcta de cilindros está disponible para mantener la carga total.

- Los cilindros se evacúan antes de su uso.
- El equipo de recuperación está funcionando y hay instrucciones disponibles.
- Hay básculas de pesaje calibradas disponibles, las mangueras tienen acoplamientos de desconexión sin fugas y están en buenas condiciones.
- La máquina de recuperación funciona correctamente y se ha sellado cualquier fuente de ignición potencial.
- No existe posibilidad de que se mezclen refrigerantes en cilindros o unidades de recuperación.
- Los compresores o aceites para compresores se evacúan adecuadamente si se van a retirar, y se evacúa el compresor antes de devolverlo a los proveedores, si se lo debe evacuar.
- El aceite se drena de manera segura si se lo debe drenar.

Proceso de retirada del servicio activo

- Bombee el sistema de refrigerante si es posible (de lo contrario, cree un colector para que el refrigerante pueda retirarse de las diferentes piezas), asegurándose de que el cilindro esté en las básculas antes de recuperar el refrigerante.
- Opere la máquina de recuperación de acuerdo con las instrucciones, sin llenar los cilindros más del 80 % de carga de volumen de líquido, sin exceder la presión máxima de trabajo de los cilindros y asegurándose de que estos se llenen correctamente y se retiren del sitio una vez finalizado el proceso.
- No cargue el refrigerante recuperado en otro sistema sin antes limpiarlo y verificarlo.
- Una vez finalizado, etiquete la unidad para indicar cuándo se retiró del servicio activo y se vació el refrigerante, la etiqueta debe estar fechada y firmada, y asegúrese de que haya etiquetas en el equipo que indiquen que contiene refrigerante inflamable.

DIAGRAMA DE BLOQUES DE CABLEADO DEL DESHUMIDIFICADOR (Solo para técnicos del servicio)



3 Manuel du propriétaire

DÉSHUMIDIFICATEUR PORTATIF LGR 2800i

Modèle #110128

DÉSHUMIDIFICATEUR PORTATIF LGR 3500i

Modèle #110133

Legend Brands, Inc.

15180 Josh Wilson Road, Burlington, WA 98233

Téléphone : 800-932-3030

LegendBrands.com

Brevets : *LBpatents.com*

© 2023 Legend Brands, Inc.





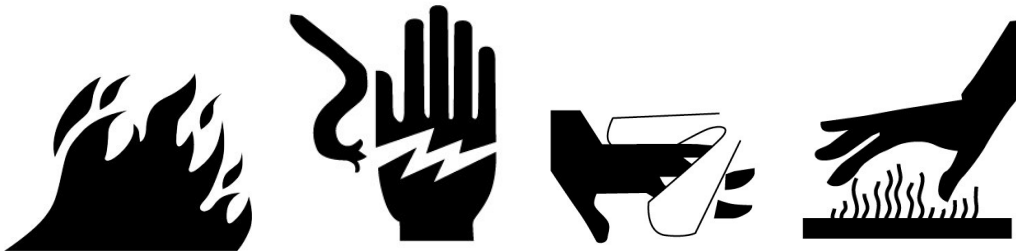
3.1 Avertissements de Sécurité

CONSERVER CES INSTRUCTIONS

INSTRUCTIONS DE SÉCURITÉ IMPORTANTES

▲ AVERTISSEMENT

AVERTISSEMENT! Ne pas modifier le Unit d'aucune façon. Utiliser seulement des pièces de rechange autorisées par Legend Brands, Inc. Toute modification ou l'utilisation de pièces non approuvées peut constituer un danger et annulera votre garantie. Contactez votre distributeur autorisé Dri-Eaz pour obtenir de l'aide.



AVERTISSEMENT! Danger d'explosion ou de combustion dû à un réfrigérant inflammable.

- Ne pas percer ou braser le déshumidificateur.
- N'essayez pas d'effectuer l'entretien du système de réfrigération! Seul le personnel d'entretien autorisé doit entretenir le système de réfrigération.
- Sachez que les gaz réfrigérants peuvent être inodores.

AVERTISSEMENT! Danger de décharge électrique, ventilateur tournant et surfaces très chaudes. Débrancher l'appareil avant d'ouvrir le couvercle pour le nettoyage ou l'entretien. L'appareil doit être mis à la terre.


- Vérifier l'état du cordon d'alimentation avant utilisation. Ne pas l'utiliser si le cordon est endommagé. Pour débrancher, toujours saisir la prise (et non le cordon).
- Enfoncer les trois fiches de la prise du cordon dans une prise de courant mise à la terre. Ne pas utiliser d'adaptateur. Ne jamais sectionner la troisième fiche. Ne pas utiliser de rallonge.
- L'appareil doit fonctionner sur un circuit de 115V/60 Hz protégé par un disjoncteur de fuite à la terre.
- Ne pas mettre l'appareil en marche lorsque de l'eau stagne en surface. Le

moteur et le câblage doivent rester secs.

AVIS: Ne pas utiliser dans des environnements contenant des produits chimiques corrosifs, tels que le chlore.

AVIS : L'unité ne doit pas être utilisée par des personnes ayant des capacités physiques, sensorielles ou mentales réduites, ou un manque d'expérience et de connaissances, à moins qu'elles n'aient reçu une supervision ou des instructions (y compris les enfants). Les enfants ne doivent pas être autorisés à jouer avec l'appareil.

Pour une élimination adéquate, cet appareil doit être apporté à un recycleur autorisé à traiter l'équipement de réfrigération.

 **AVERTISSEMENT :** Ce produit peut vous exposer à des produits chimiques, dont le plomb et les phtalates, reconnus par l'État de la Californie comme étant des substances pouvant causer le cancer, des anomalies congénitales et d'autres troubles de l'appareil reproducteur. Pour de plus amples renseignements, visitez P65Warnings.ca.gov

CONTIENT : FCC ID 2ADHKWINC3400; IC 20266-ATWINC3400; CAN-ICES-003(B)/MB-003(B)



3.2 Garantie et Enregistrement

Visitez [LegendBrands.com](https://www.legendbrands.com) pour enregistrer votre achat. Si vous constatez qu'une réparation est nécessaire, munissez-vous du modèle de votre appareil, du numéro de série et de la preuve d'achat originale avant d'appeler votre distributeur afin d'obtenir une autorisation de retour de matériel (RMA).

3.3 Commandes et Mode d'emploi

POSITIONNEZ L'APPAREIL À LA VERTICALE

AVIS : Transporter ou entreposer l'appareil à l'horizontale (couché) est déconseillé. En effet, lorsque l'on couche l'appareil, l'huile en provenance du compresseur peut s'écouler dans les serpentins et nuire au fonctionnement du déshumidificateur; l'appareil risque en outre d'être endommagé. Si vous avez couché l'appareil, redressez-le et attendez au moins 30 minutes avant de le mettre en marche.

POSITIONNEMENT DU DÉSHUMIDIFICATEUR

Pour une efficacité optimale, faites fonctionner vos déshumidificateurs dans une pièce close. Fermez les portes et les fenêtres qui s'ouvrent vers l'extérieur, afin d'optimiser l'élimination de l'eau. Placez votre déshumidificateur loin de toute obstruction, et loin de tout objet qui pourrait bloquer la circulation de l'air entrant ou sortant de l'appareil. Pour un complément d'information sur l'agencement d'un milieu de séchage optimal, appelez votre distributeur local Legend Brands.

PLACEMENT DU TUYAU DE VIDANGE

La pompe à condensats du Unit est raccordée à un tuyau de vidange en plastique (fourni), logé dans le réceptacle latéral de l'appareil. Ce tuyau est doté d'un raccord à branchement rapide. Déroulez le tuyau, puis faites-le déboucher dans un évier, un avaloir de sol, un seau, ou à l'extérieur – là où l'eau peut s'écouler sans danger. Si vous utilisez un seau ou autre récipient pour recueillir l'eau, vérifiez-le souvent pour éviter tout débordement.

AVIS : Déroulez et redressez le tuyau de vidange sur toute sa longueur. Ne laissez aucune partie du tuyau enroulé sur l'appareil; l'extrémité du tuyau ne doit pas être à plus de 6 m (20 pi) au-dessus de la partie inférieure de l'appareil. Regardez également si le tuyau n'est pas plié et n'a aucune obstruction pouvant bloquer la circulation de l'eau. Le tuyau risquerait alors de refouler, causant une fuite.

BRANCHEMENT DU CORDON D'ALIMENTATION

Le déshumidificateur Unit doit être branché sur une prise de 120 V, protégée par un disjoncteur de fuite à la terre, avec une intensité nominale de 15 ampères.

FIG. A : AVANT

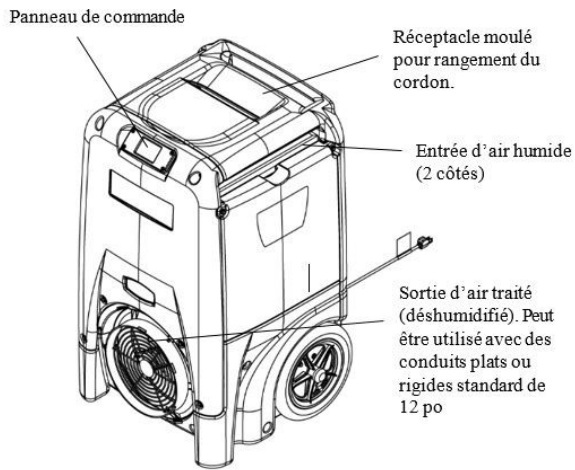
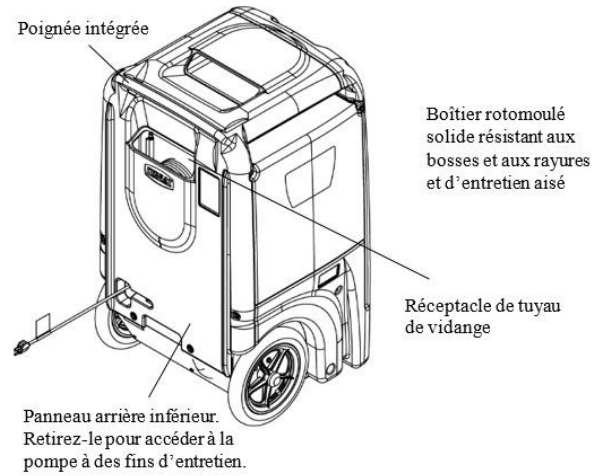


FIG. B : ARRIÈRE



3.4 Command Hub

COMMENT UTILISER LE COMMAND HUB

Le i-Series Command Hub offre des contrôles complets pour le déshumidificateur et des données détaillées en temps réel sur l'environnement à sécher, ainsi que les heures de travail; des messages d'auto-diagnostic, des rappels d'entretien et le statut de fonctionnement.

Pour des informations détaillées et des instructions supplémentaires, veuillez visiter la page du i-Series Command Hub sur LegendBrands.com


AFFICHAGES ÉCRAN D'ACCUEIL

Unité FERMÉE

L'unité doit être branchée.

Barre d'affichage supérieure:

Heures de travail, heure actuelle

Appuyez sur  MENU pour accéder aux réglages et aux contrôles de configuration

Appuyez sur  PURGER pour vidanger le réservoir

Appuyez sur  OUVERT/FERMÉ pour ouvrir l'unité.



Unité OUVERTE

Appuyez sur OUVERT/FERMÉ pour ouvrir l'unité.

Barre d'affichage supérieure:

Heures de travail, heure actuelle

Affichage de l'information:

Température entrée/sortie, % HR et GPP

Retrait actuel GPP

Barre de menu du bas:



GPP d'entrée de référence rapide.

1: <60 GPP; 2: 60 à 90 GPP; 3:> 90 GPP

Appuyez sur  MENU pour accéder aux



réglages et aux contrôles de configuration

Appuyez sur  PURGER pour vidanger le réservoir

Appuyez sur  OUVERT/FERMÉ pour fermer l'unité.



3.5 Erreurs et Avertissements

Si le système de contrôle détecte un problème, il affichera un symbole «Alerte» dans le coin supérieur droit de l'écran. Appuyez sur ON / OFF pour afficher le message et sur OK pour effacer le message. REMARQUE: En cas d'erreur, l'unité ne fonctionnera pas tant que le problème ne sera pas résolu. Reportez-vous aux explications et solutions ci-dessous. Si ces solutions ne résolvent pas le problème, contactez votre centre de service local agréé pour obtenir de l'aide.

MESSAGE DU PANNEAU DE COMMANDE	EXPLICATION ET SOLUTION
<p>ER4 erreur contacts de la thermistance de dégivrage —or— ER4 erreur contacts de la thermistance de sortie</p>	<p>Le capteur de température est ouvert, manquant ou court-circuité. Vérifiez que les capteurs de température sont installés correctement sur le panneau de commande. Si l'erreur persiste, contactez le service d'assistance.</p>
<p>ER5 erreur capteur RH1 temp/HR d'entrée</p>	<p>Le capteur temp/RH en entrée est ouvert, manquant ou court-circuité. Vérifiez que le capteur temp/RH en entrée est installé correctement sur le panneau de commande et l'enveloppe d'admission. Si l'erreur persiste, contactez le service d'assistance.</p>
<p>ER6 erreur défaillance du capteur de courant</p>	<p>Panne du capteur de courant. Si l'erreur persiste, contactez le service d'assistance.</p>
<p>ER9 erreur pompe bloquée</p>	<p>Vérifiez s'il y a des obstructions. Est-ce que le tuyau est tordu sous l'unité ou coincé sous une roue ? Vérifiez que la pompe n'est pas obstruée et corrigez si nécessaire.</p>
<p>W1 Basse BATTERIE</p>	<p>Remplacez la pile bouton (3 V, CR2032) sur le panneau de commande.</p>
<p>W2 Erreur BLE W3 Flash Reset W4 WDT Reset</p>	<p>Remettez le déshumidificateur sous tension. Si l'avertissement persiste, contactez le service.</p>

3.6 À la Fin du Travail

Pour réduire la possibilité d'égouttement lors du transport de l'unité, suivez ces étapes supplémentaires pour s'assurer que toute l'eau est évacuée de l'appareil.

REMARQUE : Pour s'assurer que toute l'eau est évacuée du déshumidificateur, l'appareil termine le cycle de dégivrage même si l'appareil est éteint. Si l'appareil est débranché durant le cycle de dégivrage, un excédent d'eau peut s'accumuler dans l'appareil et goutter lors de son déplacement.

REMARQUE : Pour s'assurer que le réservoir de condensation se vide complètement durant la purge, vérifiez que l'appareil est placé en station debout sur une surface horizontale.

- 1. Ne mettez pas l'unité à l'arrêt ou ne la déplacez pas jusqu'à ce qu'elle revienne en mode de fonctionnement normal.**
- 2. Basculez légèrement la machine pour s'assurer que l'eau restant sur les surfaces intérieures s'écoule dans le puisard.**
- 3. Appuyez sur la touche PURGE. Lorsque le cycle de purge est terminé, éteignez l'unité.**
- 4. Retirez le tuyau de vidange externe, vidangez-le soigneusement, enroulez-le et fixez-le dans la poche prévue sur le côté de l'appareil.**

3.7 Transport et Stockage

IMPORTANT : Avant de déplacer, de transporter ou de ranger l'unité, vidangez l'unité et rangez le tuyau comme décrit dans la section « À la fin du travail » ci-dessus.

AVIS : Débranchez toujours le cordon d'alimentation avant de déplacer, de transporter ou de ranger l'appareil.

AVIS : Manipulez l'unité avec précaution. Ne faites pas tomber l'unité ou ne la placez pas dans un endroit d'où elle pourrait tomber. Un traitement sans précautions peut endommager le déshumidificateur et causer un risque de danger ou annuler la garantie.

- Ne pas utiliser dans des environnements avec des gaz combustibles, des appareils de chauffage électriques ou des flammes nues.
- N'exposez pas le panneau de commande à l'humidité, la neige ou la pluie.
- Entreposez et transportez l'unité de manière sûre pour éviter des dommages des pièces internes.
- Sécurisez l'unité durant le transport pour éviter qu'elle ne glisse et cause des blessures aux occupants du véhicule.
- Ne transportez pas ou n'entreposez pas l'unité sur sa face avant, sur les côtés ou sur le dos. Ceci permet d'éviter que l'humidité restante ne s'échappe de l'unité ou s'égoutte dans des parties en dehors du puisard.

Astuce de déplacement sur un escalier :

Avant de déplacer l'appareil sur un escalier, suivez ces étapes supplémentaires pour bien évacuer toute l'eau :

1. Éteignez l'appareil à la fin d'un cycle de dégivrage. Remuez doucement l'appareil droit sur ses roues pour faire tomber dans le bac de vidange l'eau présente sur les parois.
2. Appuyez sur la touche PURGE. Éteignez l'appareil au terme du cycle de purge.
3. Enlevez le tuyau de vidange externe, videz-le avec soin, puis remettez-le dans le réceptacle latéral de l'appareil.
4. **IMPORTANT :** Enlevez le cordon d'alimentation, enroulez-le de manière ordonnée et placez-le dans la poche de rangement du cordon.

3.8 Programme d'entretien

Consultez les VIDÉOS DE SERVICE à l'adresse

[Legendbrands.com/resources/service-technical-support/](https://www.legendbrands.com/resources/service-technical-support/) pour obtenir des instructions détaillées sur l'entretien de cet appareil.

AVERTISSEMENT! Danger d'explosion ou de combustion dû à un réfrigérant inflammable.

- Ne pas utiliser dans des environnements avec des gaz combustibles, des appareils de chauffage électriques ou des flammes nues.
- Ne pas percer ou braser le déshumidificateur.
- N'essayez pas d'effectuer l'entretien du système de réfrigération! Seul le personnel d'entretien autorisé doit entretenir le système de réfrigération.
- Sachez que les gaz réfrigérants peuvent être inodores.

AVERTISSEMENT! RISQUE DE CHOC ÉLECTRIQUE. Débranchez le déshumidificateur avant d'effectuer une opération de maintenance.

AVERTISSEMENT! Risque d'exposition à la poussière et à des contaminants.

L'utilisation d'un masque respiratoire et de gants est recommandée. Si l'unité a été exposée à des contaminants potentiellement dangereux, nettoyez en profondeur et désinfectez avant réutilisation..

AVIS : L'unité est équipée de capteurs électroniques sensibles. Protégez les capteurs et leurs fils conducteurs des dommages et ne les exposez pas à l'eau ou à une solution de nettoyage.

Les outils et les articles suivants sont obligatoires pour faire l'entretien traité dans ce guide :

- Tournevis Philips et tournevis à lame plate
- Pince à becs pointus
- Clé 14 mm (9/16 po)
- Chasse-écrou ou douille 95 mm (3/8 po)
- Douille 8 mm (5/16 po) (pour déposer la pompe)
- Rallonge de douille 15,2 cm (6 po)
- Clé à rochet
- Chiffons
- Aspirateur à filtre HEPA avec suceur à brosse douce et suceur plat

Recommandé

Perceuse sans fil, canif, pince avec petites mâchoires, solution de nettoyage pour serpentins, solution de nettoyage pour boîtiers rotomoulés.

AVANT CHAQUE UTILISATION

Regardez si le cordon de secteur est intact. Recherchez les effilochages, les coupures, etc. Si le cordon est endommagé, n'utilisez pas l'appareil tant qu'il n'a pas été réparé par un distributeur Dri-Eaz agréé.

Inspectez le filtre. Remplacez le câble si une accumulation de poussière et de débris est visible.

AVIS : Remplacez les filtres usés seulement avec un nouveau filtre Legend Brands 4-PRO n° #121708 (F584) (boîte de 24). Les autres types de filtre n'offrent pas une filtration ou un flux d'air adéquat. Chaque filtre est emballé individuellement pour préserver l'efficacité de la filtration. Retirez l'emballage avant d'installer le filtre dans le déshumidificateur.

ENTRETIEN MENSUEL

Inspecter les bobines. Nettoyer lorsque l'accumulation de poussière est visible. En fonctionnement normal, la poussière peut s'accumuler et restreindre le débit d'air, réduisant ainsi le rendement et provoquant une surchauffe de l'appareil. Utiliser un aspirateur muni d'une brosse et un chiffon doux pour enlever les débris. Prendre soin de ne pas endommager les composants internes.

Pour maintenir l'apparence, essuyer les surfaces intérieures et extérieures avec un chiffon humide. Pour un nettoyage en profondeur, un éclat et une protection durable, utiliser un nettoyeur intérieur d'automobile.

AU BESOIN

Nettoyer le clapet anti-retour de la pompe et le réservoir. Retirer les grilles et le couvercle. Retirer les vis de la base de la pompe et retirer la pompe. Essuyer le bassin de la pompe avec un chiffon humide. Inspecter la base de la pompe pour l'accumulation de débris et nettoyer si nécessaire. Dévisser le raccord cannelé et le clapet anti-retour et rincer le raccord et le clapet avec de l'eau propre. Réinstaller le clapet dans le raccord cannelé et installer le raccord dans la pompe. Ne pas trop serrer. Réinstaller la pompe sur la base. Réinstaller le couvercle et les grilles.

Nettoyer les bobines. Avec le couvercle retiré, inspecter les deux bobines. Si vous trouvez de la poussière excessive et des débris, aspirez minutieusement et/ou nettoyez avec un nettoyeur de bobine.

3.9 Dépannage

DÉFAULT	CAUSE	SOLUTION
L'eau s'égoutte lors du déplacement de l'appareil	L'appareil a été débranché avant que l'évacuation soit terminée.	Évacuer toute l'eau de l'appareil avant de le déplacer. Voir « À LA FIN DU TRAVAIL » ⁶¹ .
L'appareil ne fonctionne pas	L'appareil n'est pas allumé. Pas d'alimentation à l'appareil.	Allumer l'appareil. Brancher l'appareil : vérifier la connexion du cordon d'alimentation à la prise murale.
L'appareil fonctionne mais la salle n'est pas sèche	Pas assez de temps pour le séchage. Faible mouvement d'air dans la salle. Infiltration excessive d'air humide.	Vérifiez que l'hygrostat (« Humidistat ») est sur OFF. Prévoir plus de temps pour le séchage. Améliorer la circulation de l'air avec des dispositifs de ventilation. Sceller la zone pour réduire l'infiltration.
L'unité ne collecte pas assez d'eau.	L'air de la pièce est sec. La température de la pièce est trop basse. Le filtre est plein. Les serpentins sont bouchés.	Vérifiez que l'hygrostat (« Humidistat ») est sur OFF. Vérifiez le niveau d'humidité avec l'hygromètre. Augmentez la température de la pièce. Vérifiez le filtre. Remplacez si nécessaire. Vérifiez les serpentins. Nettoyez si nécessaire.
Si le problème que vous rencontrez ne figure pas dans ce tableau, veuillez contacter votre distributeur local ou notre centre de service au 800 932 3030 pour obtenir de l'aide.		



3.10 Spécification

Modèle	LGR 2800i #110128	LGR 3500i #110133
Évacuation de l'eau @80°F/60% 26.7° C/60% RH	140 chopines 66,2 litres / jour	170 chopines 80,4 litres / jour
Saturation de l'élimination de l'eau @90°F/90% 32.2° C/90% RH	214 chopines 101,3 litres / jour	270 chopines 127,8 litres / jour
Élimination de l'eau à faible grain @80°F/20% 26.7°C/20% RH	19 chopines 9 litres / jour	27 chopines 12,8 litres / jour
Déplacement de l'air (max)	400 CFM 680 CMH	400 CFM 680 CMH*
Max. Oper. Temp.	125°F 51.7°C	104°F 40°C
Dimensions (H × P × L)	40,5 × 23 × 24 po 103 × 58 × 61 cm	40,5 × 23 × 24 po 103 × 58 × 61 cm
Poids	160 lbs. 72,6 kg	160 lbs. 72,6 kg
Alimentation @80°F/60% RH) 26.7° C/60%RH	8,3A	10,8A
Courant d'entrée (104°F/35%RH 40° C/35%RH)	10,0A	12,8A
Puissance	120V, 60Hz, 996W	120V, 60Hz, 1296W
Réfrigérant	R32, 0,524 kg (18,5 oz)	R32, 0,524 kg (18,5 oz)
Altitude maximale d'utilisation	10,000 ft. 3 km	10,000 ft. 3 km
Niveau sonore (moyen)	70 dB	70 dB
Filtre à air	Part no. #121708 (F584) boîte de 24	Part no. #121708 (F584) boîte de 24
Tuyau de vidange	40 pi 12,2 m	40 pi 12,2 m



Cordon d'alimentation	25 pi 7,6 m	25 pi 7,6 m
Construction	Coquille rotomoulée	Coquille rotomoulée
Sécurité	Conforme à UL STD 60335-1 & 60335-2-40 Certifié pour CSA STD. C22.2 NO. 60335-1 & CO335-2-40	Conforme à UL STD 60335-1 & 60335-2-40 Certifié pour CSA STD. C22.2 NO. 60335-1 & CO335-2-40
Las especificaciones están sujetas a cambios sin previo aviso. Algunos valores pueden ser aproximados. *La velocidad del ventilador varía automáticamente para optimizar el desempeño.		



3.11 Pièces Incluses

PIEZAS INCLUIDAS

Tuyau de vidange 40 pieds (12 m) avec raccord à connexion rapide.
4-PRO filter #121708 (F584) 24 pk.

OPTIONAL

Sto&Go Ducting #113260 (F405)



3.12 Informations Supplémentaires

Des informations supplémentaires sur le produit et la documentation actuelle sont disponibles sur LegendBrands.com.

N'oubliez pas de visiter LegendBrands.com et d'enregistrer votre achat. Votre inscription nous aidera à vous communiquer les mises à jour sur le produit, si nécessaire.

Pour une mise au rebut correcte, cette unité doit être déposée dans un centre de recyclage agréé pour le traitement des équipements de réfrigération.

3.13 Pour les techniciens d'entretien seulement

POUR LES TECHNICIENS D'ENTRETIEN SEULEMENT

Procédures de sécurité requises pour l'entretien des déshumidificateurs avec du réfrigérant R32 :

- Examiner la zone pour s'assurer qu'il n'y a pas de sources d'inflammation pouvant entraîner un risque d'incendie et qu'il n'y a pas de flammes nues ou d'autres sources d'inflammation potentielles pour la détection du réfrigérant, et que l'équipement de détection des fuites est réglé à un pourcentage de la LII et est étalonné pour le frigorigène utilisé.
- Poser des panneaux « Ne pas fumer ».
- Afficher les procédures d'inspection des composants avant la réparation ou l'entretien des composants électriques, y compris s'assurer que les condensateurs sont déchargés, qu'il y a une continuité de liaison et qu'aucun composant électrique ou câblage n'est exposé.
- Débrancher le bloc d'alimentation avant la réparation.
- Suivre les procédures de sécurité pour le retrait et l'évacuation du réfrigérant, la purge du circuit avec du gaz inerte, l'ouverture du circuit en coupant ou braser et récupérer la charge dans les bons cylindres de récupération. Si la ventilation n'est pas autorisée par les codes nationaux, purger le système avec de l'azote sans oxygène si le système doit être purgé, purger le système à la pression atmosphérique si une charge d'azote sans oxygène est utilisée et s'assurer que la sortie de la pompe à vide n'est pas proche de sources d'inflammation potentielles.

Avant de mettre hors service des unités contenant du réfrigérant R32, vous devez vous assurer que :

- L'EPI est disponible et utilisé correctement et que le technicien connaît parfaitement l'équipement.
- Le processus de rétablissement est supervisé par une personne compétente.
- L'alimentation électrique est disponible avant la mise hors service et isole le système électroniquement.
- Les réfrigérants peuvent être récupérés en toute sécurité, en prélevant un échantillon d'huile et de réfrigérant au cas où une analyse serait nécessaire avant la réutilisation du réfrigérant récupéré.
- L'équipement est disponible pour manipuler les bouteilles de réfrigérant au besoin. S'assurer que l'équipement et les bouteilles de récupération sont conformes aux normes appropriées.
- Seuls les cylindres appropriés (désignés pour le réfrigérant R32 et étiquetés comme tels) sont utilisés pour la récupération, et le bon nombre de cylindres pour maintenir la charge totale est disponible.

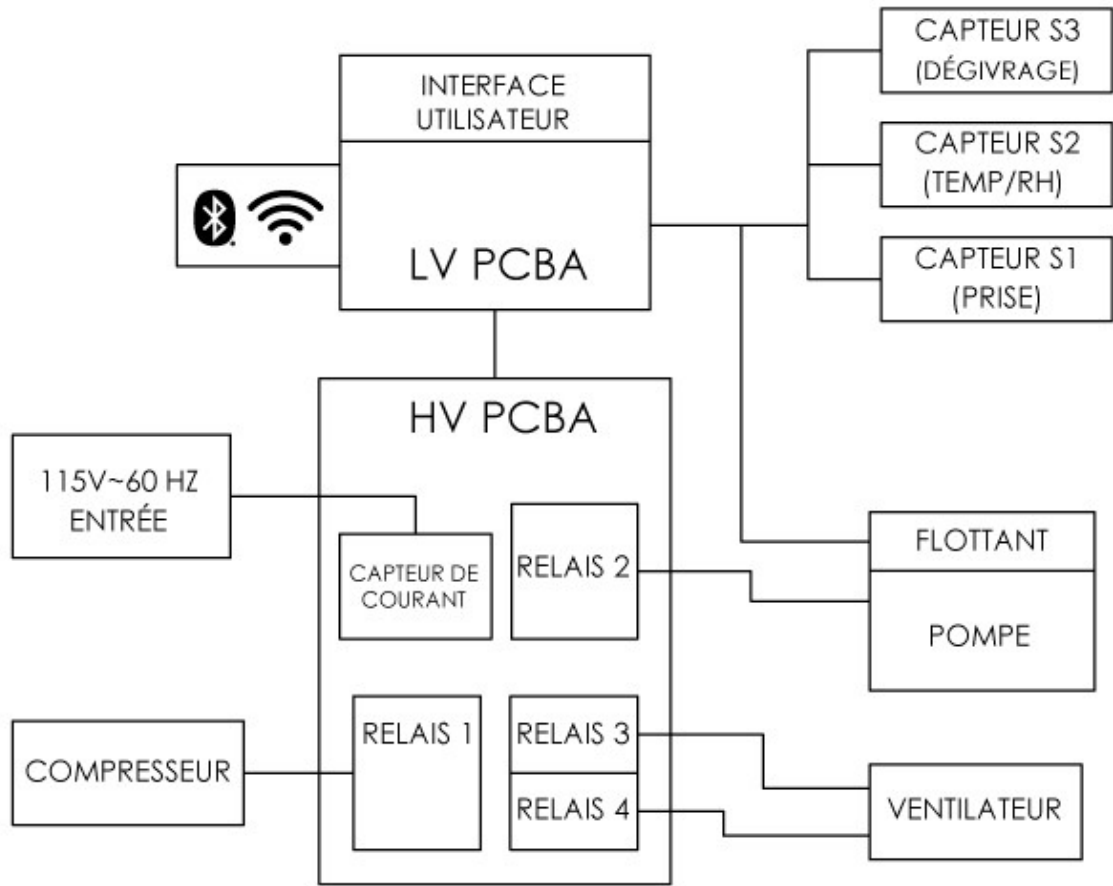
- Les bouteilles sont évacuées avant utilisation.
- L'équipement de récupération fonctionne et des instructions sont disponibles.
- Des balances calibrées sont disponibles, les tuyaux sont dotés de raccords de déconnexion sans fuite et sont en bon état.
- La machine de récupération fonctionne correctement et toute source d'inflammation potentielle est scellée.
- Il n'y a pas de risque de mélange de réfrigérants dans les cylindres ou les unités de récupération.
- Les compresseurs ou les huiles de compresseur sont évacués correctement s'ils doivent être retirés et évacués avant de retourner le compresseur aux fournisseurs s'il est évacué.
- L'huile est vidangée en toute sécurité si elle doit être vidangée.

Processus de mise hors service

- Pompez le système de réfrigérant si possible (autrement, en créant un collecteur afin que le réfrigérant puisse être retiré de diverses pièces), en vous assurant que le cylindre se trouve sur les balances avant de récupérer le réfrigérant.
- Faire fonctionner la machine de récupération conformément aux instructions, ne pas remplir les bouteilles à plus de 80 % du volume de liquide, ne pas dépasser la pression de service maximale des bouteilles et s'assurer que les bouteilles sont remplies correctement et retirées du site une fois le processus terminé.
- Ne pas charger le réfrigérant récupéré dans un autre système avant qu'il n'ait été nettoyé et vérifié.
- Après avoir terminé, étiquetez l'appareil pour indiquer quand il a été mis hors service et vidé de réfrigérant, que l'étiquette doit être datée et signée et qu'il y a des étiquettes sur l'équipement indiquant qu'il contient du réfrigérant inflammable.

SCHÉMA DE CÂBLAGE DU DÉSHUMIDIFICATEUR

(Pour les techniciens d'entretien seulement)





4 Print Manual

[Download and Print Owner's Manual](#)