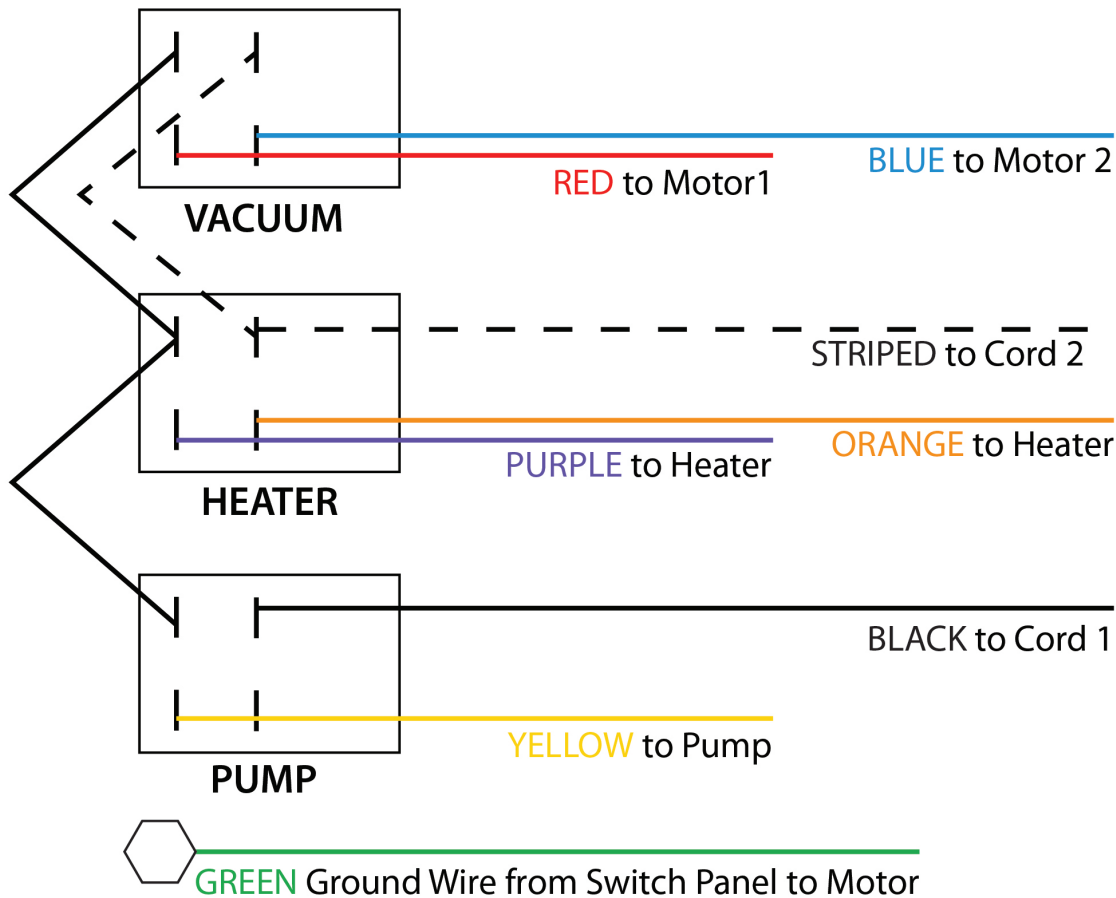


CARPET EXTRACTORS WITH HEAT

12-Gallon Units

Models: 80-2200-H 80-3300-H
 80-3200-H 80-2500-H
 80-2300-H 80-3500-H



SNIPER CARPET EXTRACTORS WITH HEAT
Machine Wiring Diagram



ULTIMATE SOLUTIONS
Together We're Better!

**CALL US TODAY IF YOU HAVE ANY QUESTIONS,
OR WOULD LIKE TO PLACE AN ORDER!**

Ultimate Solutions | Sandia Products
15571 Container Lane, Huntington Beach, CA 92649
Phone: 800-983-5834 | Fax: 714-901-8404
www.us-group.com | www.sandioplastics.com



Manufactured with
Pride in the U.S.A.