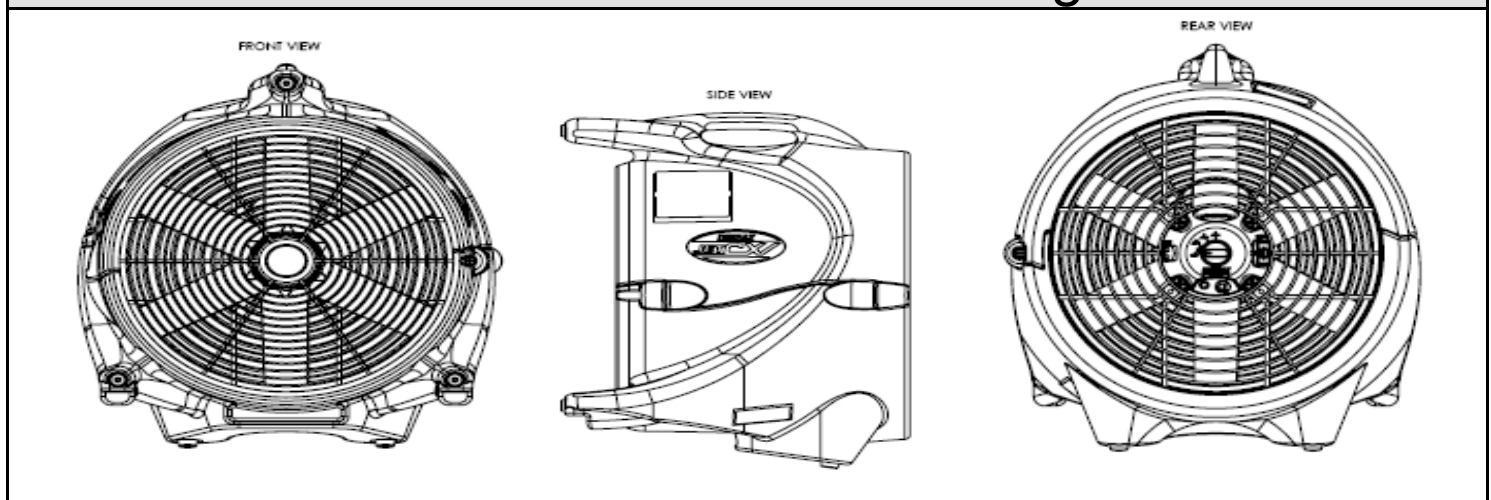


Jet CXV TurboDryer

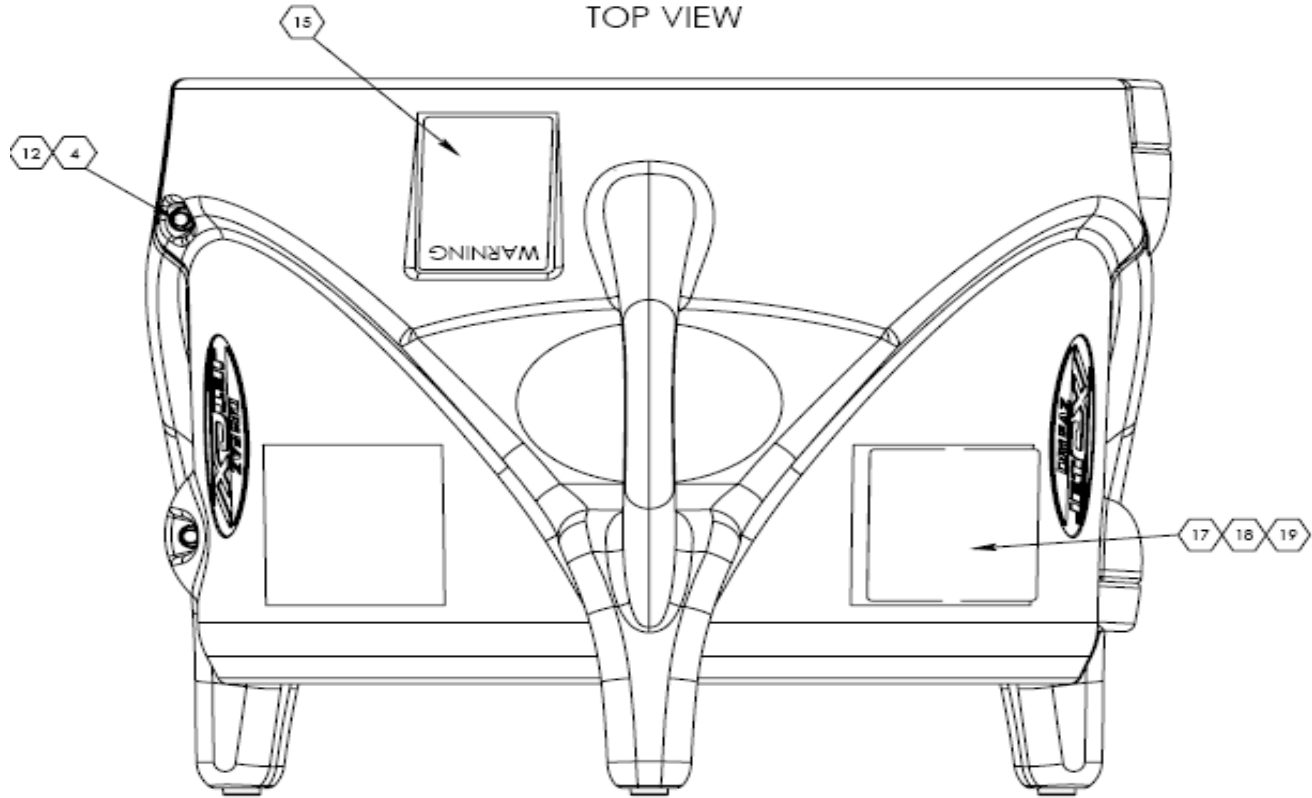
Models: F367

Find #	Part Description	New Part #	Old Part #	Measure	Qty
23	RECEPTACLE - 15A W/ GFCI	111834	02-01472	Ea.	1
25	SWITCH - ROTORY 3 SPD SAHARA PRO X3/HD	115682	02-01491	Ea.	1
	MOTOR ASSY - 115V 1/4HP 1650RPM 3SPD JET CXV	108643	02-01511	Ea.	1
28	CIRCUIT BREAKER - 12A THERMAL SNAP IN	102770	02-01513	Ea.	1
27	STRAIN RELIEF - LIQUID TIGHT .370 DIA X .13 BLK	113464	02-01514	Ea.	1
12	WASHER - 1/4 RIVET .26 ID X .50 OD X .06 ZP	114783	03-00001	Ea.	2
	CABLE TIE - 4" NYLON	102216	03-00012	Ea.	2
13	WASHER - 3/16 RIVET.19 ID X .47 OD X .05 ZP	114773	03-00013	Ea.	4
14	NUT - 8-32 NYLOC THIN ZP	109615	03-00015	Ea.	4
29	NUT - #10-24 W/STAR WASHER ZP	123051	03-00038	Ea.	4
33	SCREW - #10-24 X 1" HWH SER ZP REPLACES 03-00064.	112673	03-00093	Ea.	1
	FOOT - ROUND 3/16 ID X 1.25 OD X 5/8 RUBBER BLK	106508	03-00131	Ea.	2
5	FOOT - ROUND PUSH MOUNT .83 OD X .24 RUBBER BLK	117008	03-00202	Ea.	3
	RIVET - 3/16 X 5/8 TRI FOLD AL/AL	112015	03-00204	Ea.	2
11	SCREW - 1/4 -20 X 1/2 SER HWH NYLOC ZP	114457	03-00209	Ea.	4
4	SCREW - 1/4-20 X 1.25 SER HWH ZP	119398	03-01479	Ea.	2
31	RIVET - 5/32 X 1/4 TRI FOLD AL/AL BLK	123076	03-01487	Ea.	2
24	KNOB - 1.38 OB BAR 6.0 X 4.5MM D SHAFT RUBBER OVERMOLD BLK	108884	03-01508	Ea.	1
32	SCREW - #4 X 5/8 CH PHIL ZP	112349	03-01511	Ea.	2
30	WASHER - #10 ANSI EXTERNAL TOOTH ZP	120133	03-01532	Ea.	1
	SCREW - 1/4 -20 X 1.50 PHIL PH ZP	#N/A	03-01566	Ea.	2
	PLUG - HOLE .88 DIA X .25 NYLON BLK	110896	03-01598	Ea.	2
	HOUSING - BOTTOM POLYETHYLENE FLINT GRY JET CXV	107701	04-01405-09	Ea.	1
	HOUSING - TOP POLYETHYLENE FISHER BLU JET CXV	117536	04-01406	Ea.	1
7	GRILL - INLET PC GL BLK JET CXV	117209	04-01407-01	Ea.	1
	GRILL - OUTLET PC GL BLK JET CXV	117214	04-01408-01	Ea.	1
	WIRING HARNESS 115V JET CXV	#N/A	04-01410	Ea.	1
22	COVER - ELECTRICAL PANEL 5V ABS BLK W/PRINTING JET CXV	121432	04-01411-01	Ea.	1
8	LOOP - CORD PC GL BLK JET CXV	108184	04-01412-01	Ea.	1
2	FAN BLADE 17 DIA 6 BLADE 35 DEGREE POLYAMIDE GLASS	116460	04-01413	Ea.	1
26	POWER CORD ASSY - 14/3 SJTW 5-15P 25 FT DEFENDAIR HEPA 500	113326	13-01457	Ea.	1

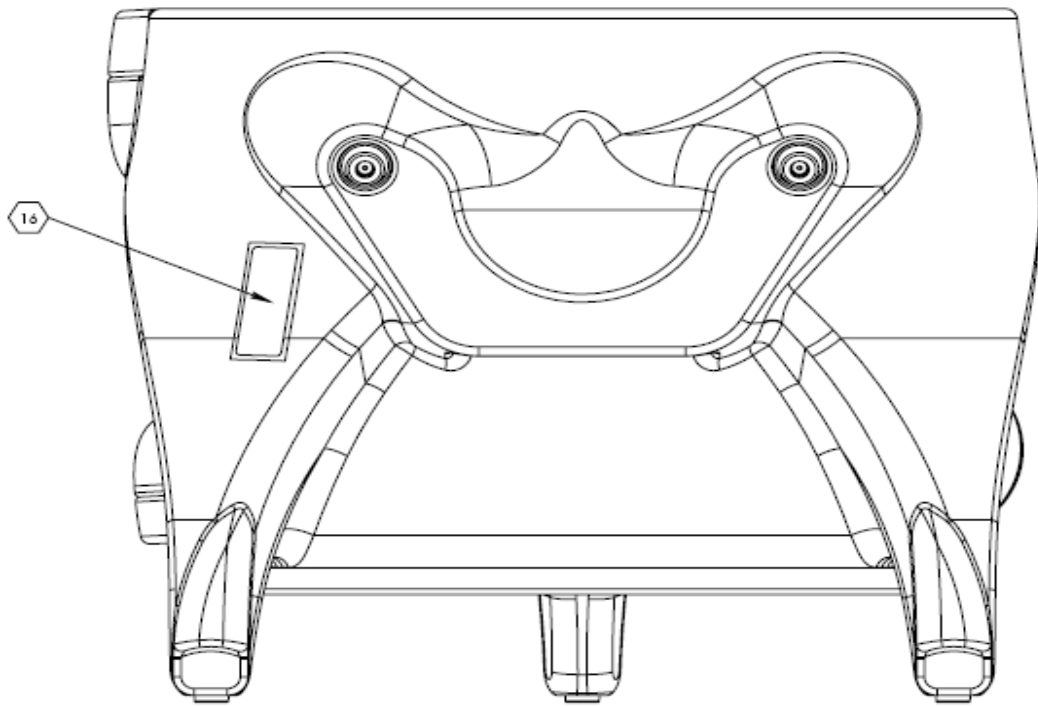
Jet CXV Pictorial Drawing

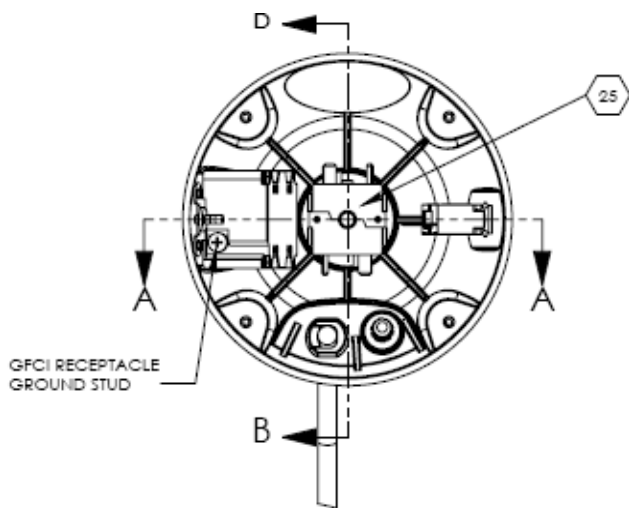
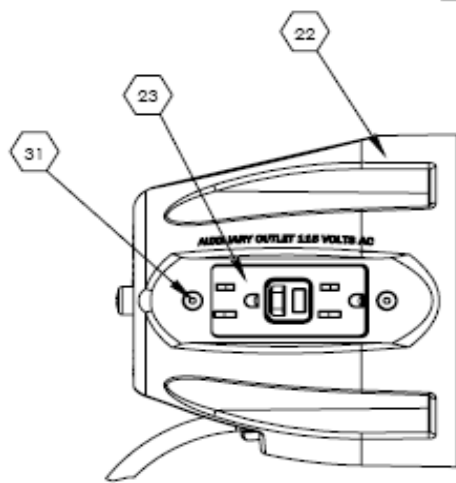
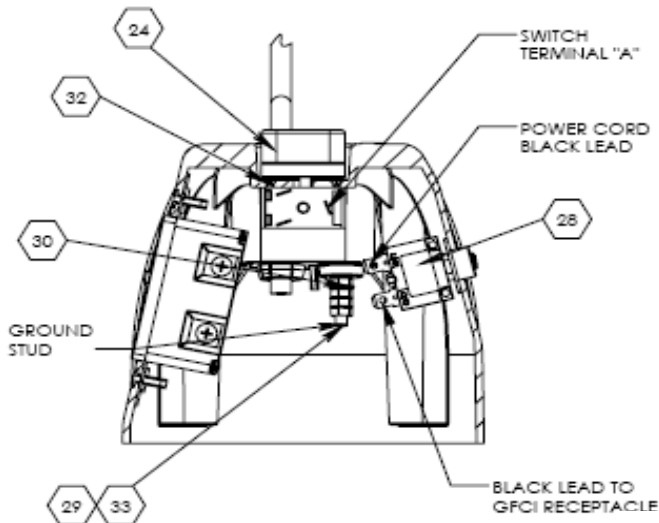
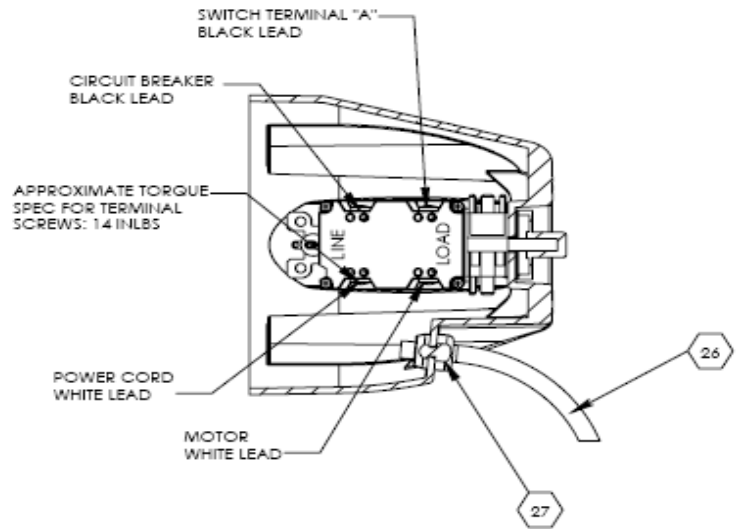
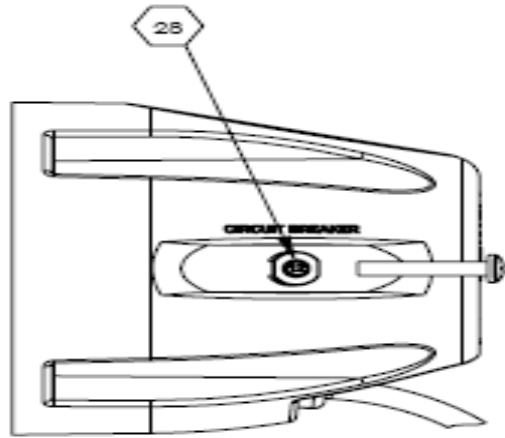


TOP VIEW



BOTTOM VIEW





TORQUE SPEC FOR
ELECTRICAL COVER
MOUNTING NUTS:
14-16 INLBS

