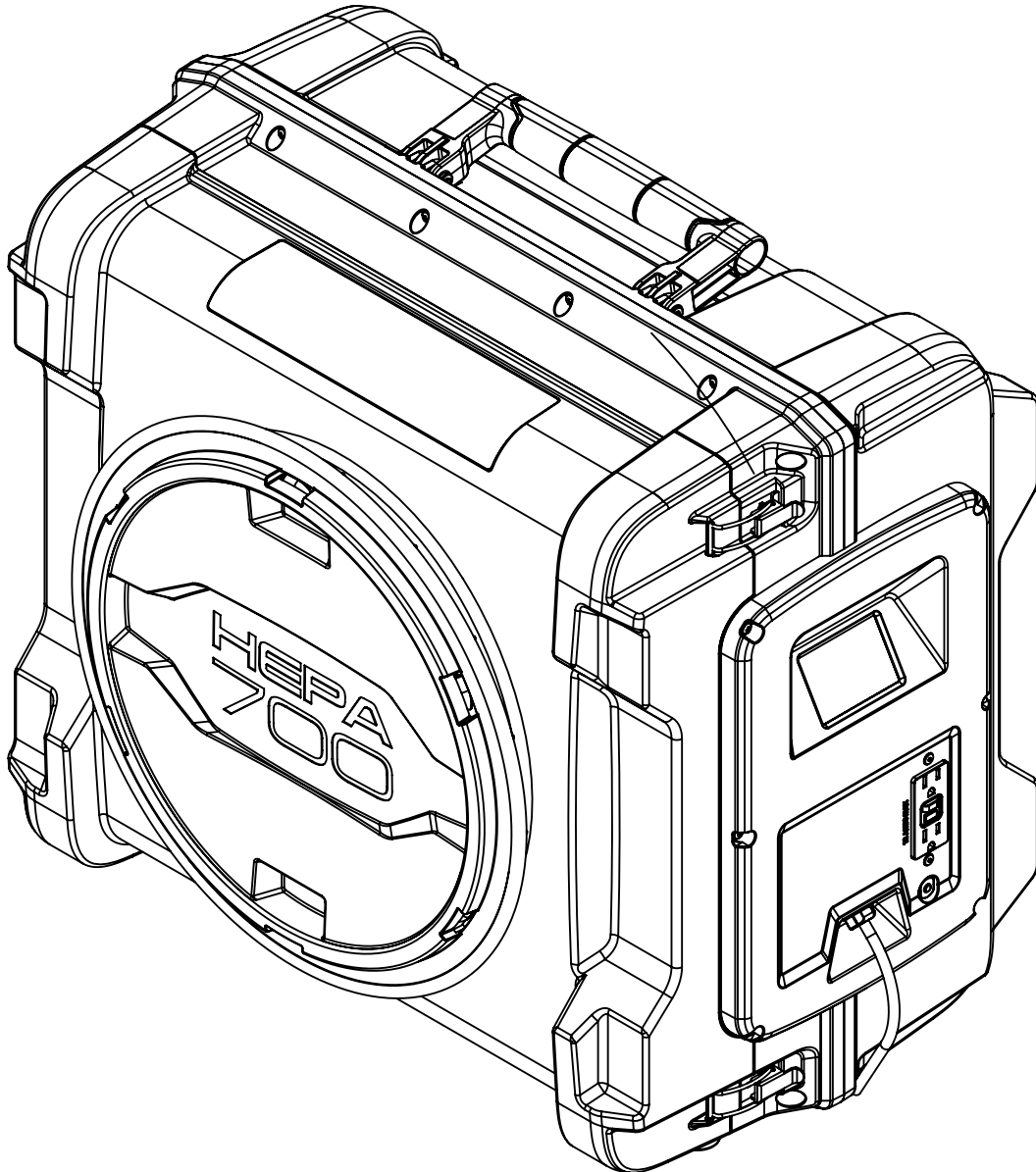
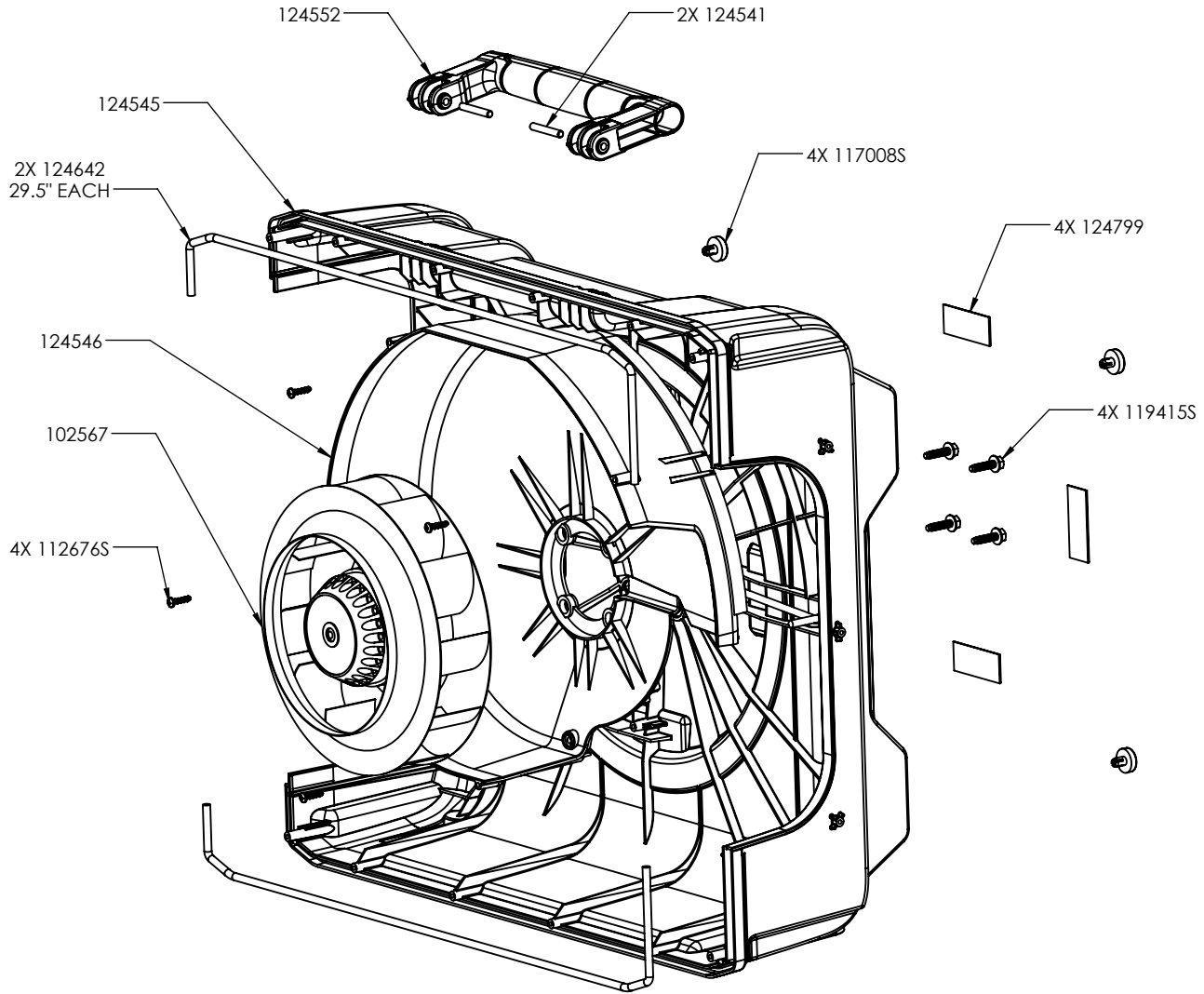


HEPA 700 AIR SCRUBBER (115V)

MANUFACTURING DATE: 06/2021-PRESENT



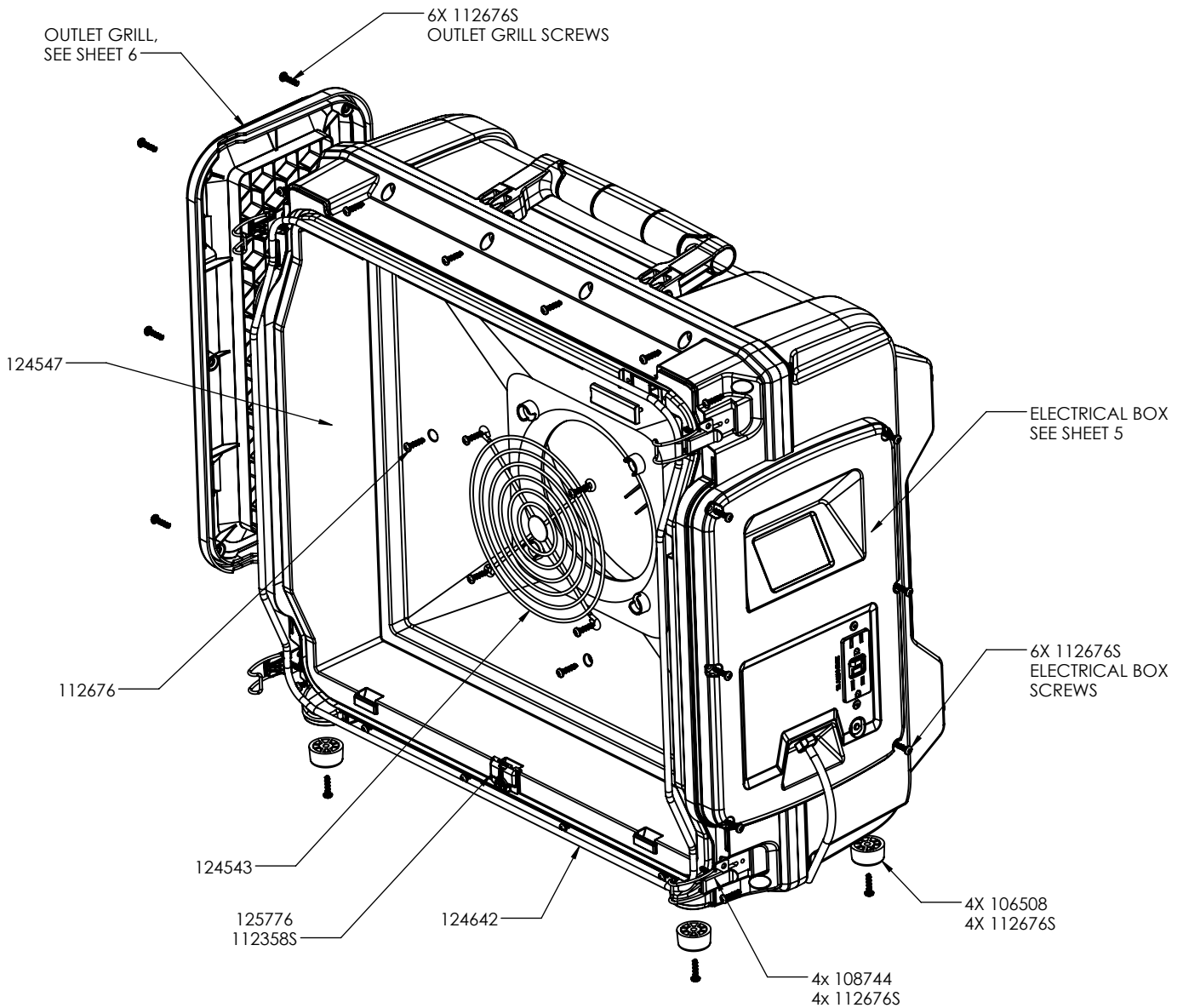
Parts are available through Legend Brands distributors. To locate a distributor near you, visit [Legendbrandsrestoration.com/Dealer-Search](https://www.legendbrandsrestoration.com/Dealer-Search)
For technical questions, visit [info.LegendBrands.com](https://www.info.LegendBrands.com) or email service@legendbrandsrestoration.com



REAR PANEL ASSEMBLY

PART NO.	QTY	UNIT	DESCRIPTION
124799	4	EA	VELCRO - 1.00 X 2.50 HOOK BLK PSA
124642	5	FT	GASKET - .250 DIA CORD STOCK EPDM
124552	1	EA	HANDLE - OVERMOLDED PP HEPA 700
124546	1	EA	SHROUD - BLOWER SCROLL ABS BLK HEPA 700
124545	1	EA	REAR PANEL - POLYPROPYLENE HEPA 700
124541	2	EA	PIN - HANDLE MOUNTING ZP STL
119415S	4	EA	SCREW - M6 X 1.0 X 25MM HWH NYLOC MATPOINT ZYP BLK
117008S	4	EA	FOOT - ROUND PUSH MOUNT .83 OD X .24 RUBBER BLK
112676S	4	EA	SCREW - HI-LO #10-16 X 3/4 PH PHIL BLACK ZINC
102567	1	EA	BLOWER ASSY - MOTORIZED IMPELLER 115V 400W 3100RPM DEFENDA

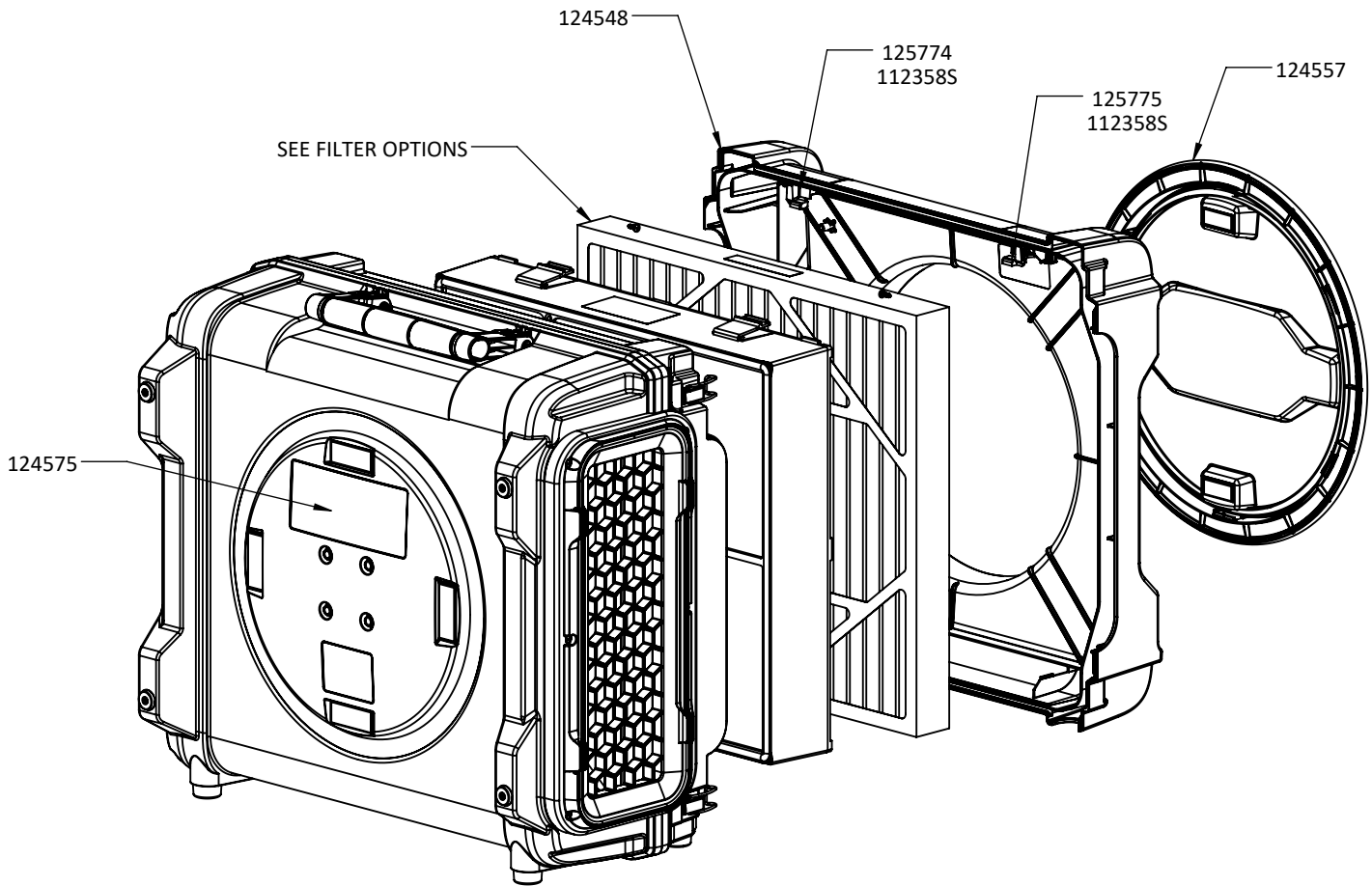
Parts are available through Legend Brands distributors. To locate a distributor near you, visit Legendbrandsrestoration.com/Dealer-Search
 For technical questions, visit info.LegendBrands.com or email service@legendbrandsrestoration.com



PLENUM ASSEMBLY

PART NO.	QTY	UNIT	DESCRIPTION
125776	1	EA	RETAINER - FILTER BOTTOM
124898	1	EA	PLATE - BLANK PLUG POWER CONNECTION ABS BLK HEPA 700
124642	6.8	FT	GASKET - .250 DIA CORD STOCK EPDM
124547	1	EA	PLENUM - HEPA FILTER POLYPROPYLENE HEPA 700
124543	1	EA	GRILL - INLET PC GL BLK NEW HEPA 500
112676S	36	EA	SCREW - HI-LO #10-16 X 3/4 PH PHIL BLACK ZINC
112358S	1	EA	SCREW - #8 X 1/2 PHP ZP BLK
108744	4	EA	LATCH - PULL DOWN CLAMP 3 HOLE SS DEFENDAIR HEPA 500
106508	4	EA	FOOT - ROUND 3/16 ID X 1.25 OD X 5/8 RUBBER BLK

Parts are available through Legend Brands distributors. To locate a distributor near you, visit Legendbrandsrestoration.com/Dealer-Search
 For technical questions, visit info.LegendBrands.com or email service@legendbrandsrestoration.com



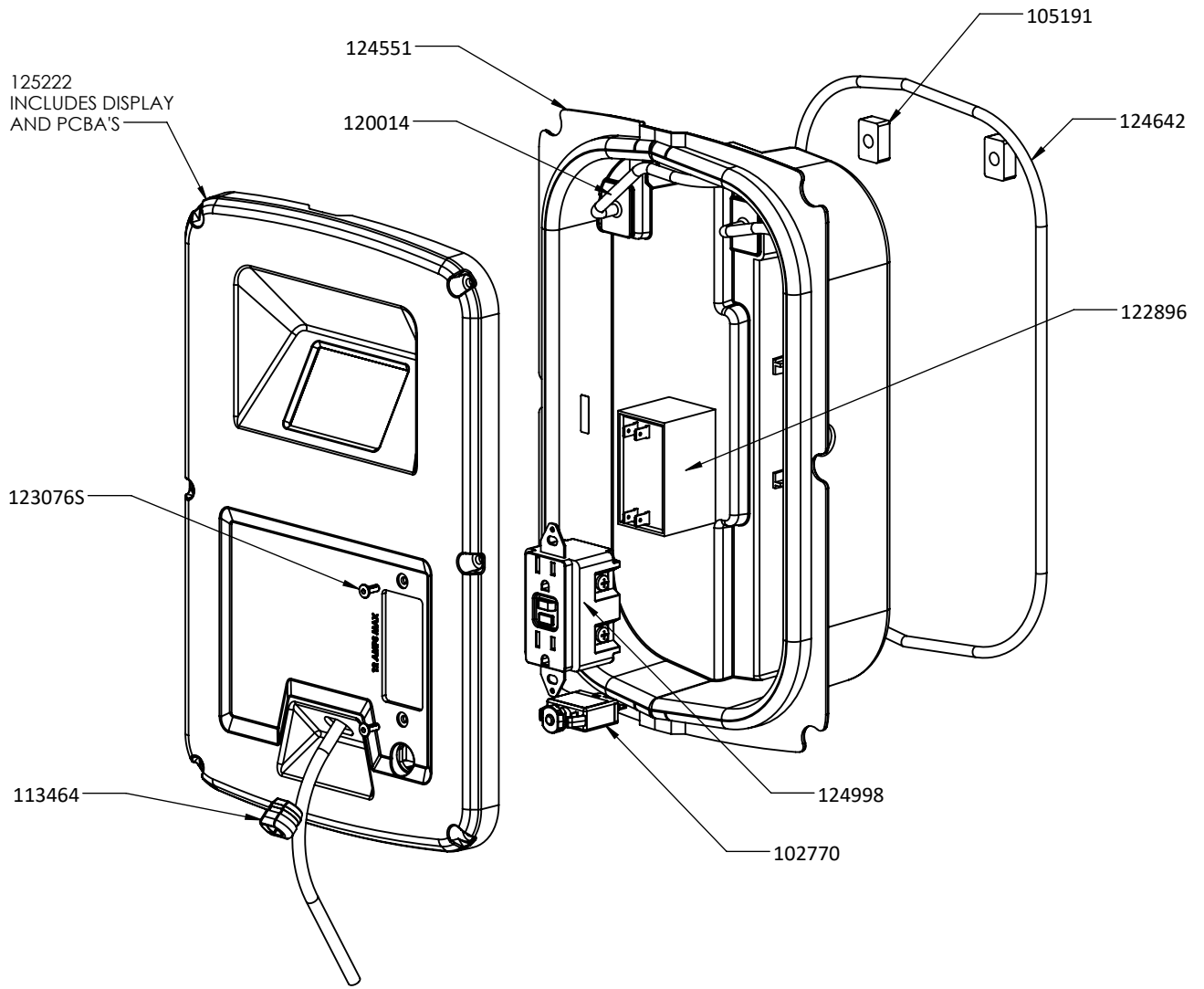
COMPLETE ASSEMBLY

PART NO.	QTY	UNIT	DESCRIPTION
125775	1	EA	RETAINER - FILTER RIGHT
125774	1	EA	RETAINER - FILTER LEFT
124575	1	EA	LABEL - WARNING OSHA AIRSCRUBBERS
124557	1	EA	CAP ASSY - INLET HEPA 700
124548	1	EA	DOOR - INLET POLYPROPYLENE HEPA 700
112358S	2	EA	SCREW - #8 X 1/2 PHP ZP BLK

FILTER OPTIONS

PART NO.	QTY	UNIT	DESCRIPTION
125029	1	EA	FILTER - 1 IN PLEATED PAPER MERV 8 HEPA 700 (12-PK)
125028	1	EA	FILTER - HEPA 18 X 20.5 X 3.38 (8-PK)
125027	1	EA	FILTER - 1 IN ACTIVATED CARBON HEPA 700 (4-PK)
125026	1	EA	FILTER - 2 IN PLEATED PAPER MERV 8 HEPA 700 (6-PK)
124966	1	EA	FILTER - HEPA 18 X 20.5 X 3.38 (1-PK)

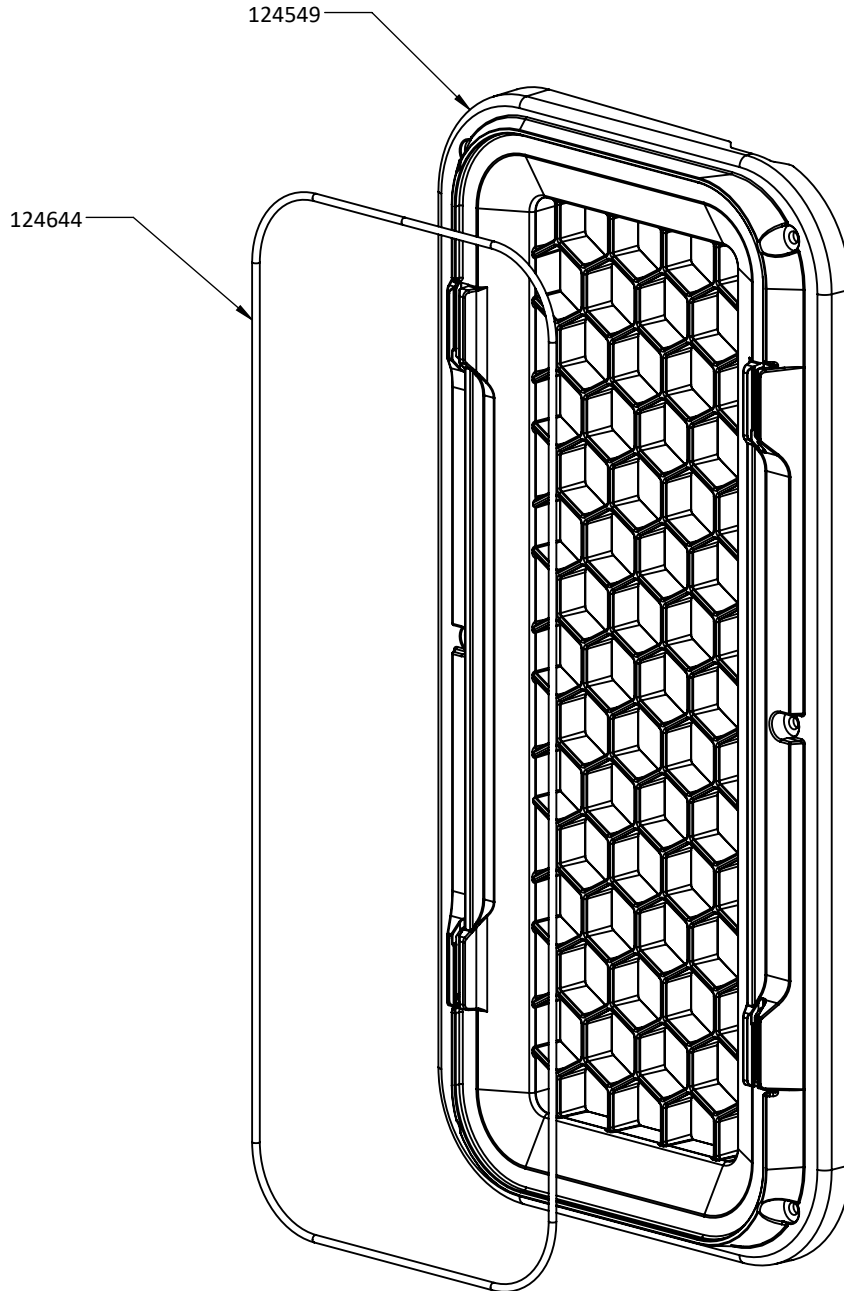
Parts are available through Legend Brands distributors. To locate a distributor near you, visit Legendbrandsrestoration.com/Dealer-Search
 For technical questions, visit info.LegendBrands.com or email service@legendbrandsrestoration.com



ELECTRICAL BOX SUB-ASSEMBLY

PART NO.	QTY	UNIT	DESCRIPTION
125222	1	EA	ELECTRICAL BOX COVER ASSY - 115V HEPA 700
124998	1	EA	ASSY - GFCI WIRED LPA
124642	3	FT	GASKET - .250 DIA CORD STOCK EPDM
124551	1	EA	ENCLOSURE - ELECTRICAL BOX BOTTOM ABS BLK HEPA 700
123076S	2	EA	RIVET - 5/32 X 1/4 TRI FOLD AL/AL BLK
122896	1	EA	CAPACITOR - 30MFD 250V W/ MTG BRKT CLASS B
120014	1.71	FT	TUBING - 1/8 ID X 1/4 OD CLEAR VINYL
113464	1	EA	STRAIN RELIEF - .370 DIA X .13 BLK
113326	1	EA	POWER CORD ASSY - 14/3 SJTW 5-15P 25 FT DEFENDAIR HEPA 500
105191	2	EA	GASKET - PRESSURE DIFFERENTIAL
102770	1	EA	CIRCUIT BREAKER - 12A THERMAL SNAP IN

Parts are available through Legend Brands distributors. To locate a distributor near you, visit Legendbrandsrestoration.com/Dealer-Search
 For technical questions, visit info.LegendBrands.com or email service@legendbrandsrestoration.com

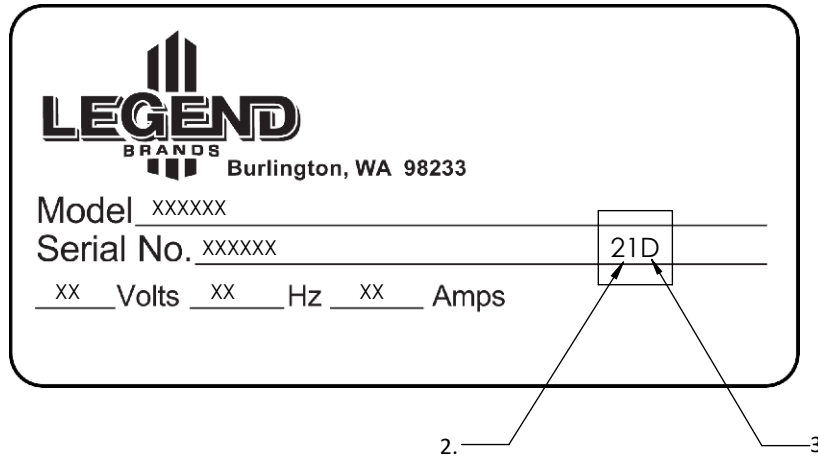


OUTLET GRILL ASSEMBLY

PART NO.	QTY	UNIT	DESCRIPTION
124644	1	EA	RING - DUCT ATTACHMENT ZP HEPA 700
124549	1	EA	GRILL - OUTLET ABS BLK HEPA 700

Parts are available through Legend Brands distributors. To locate a distributor near you, visit Legendbrandsrestoration.com/Dealer-Search
 For technical questions, visit info.LegendBrands.com or email service@legendbrandsrestoration.com

DATE CODE LEGEND



1. THE DATE CODE CAN BE FOUND ON THE RIGHT SIDE OF THE SERIAL NUMBER LINE
2. THE FIRST PORTION OF THE DATE CODE REPRESENTS THE LAST TWO DIGITS OF THE YEAR IN WHICH THE PRODUCT WAS MANUFACTURED
3. THE SECOND PORTION OF THE DATE CODE REPRESENTS THE MONTH IN WHICH THE PRODUCT WAS MANUFACTURED. THE MONTHS ARE REPRESENTED BY LETTERS OUTLINED IN THE TABLE BELOW.

LETTER	MONTH
A	JANUARY
B	FEBRUARY
C	MARCH
D	APRIL
E	MAY
F	JUNE
G	JULY
H	AUGUST
I	SEPTEMBER
J	OCTOBER
K	NOVEMBER
L	DECEMBER

NOTE:
 SERIAL LABEL DETAILS (I.E. BRANDING, SPECIFICATIONS, ETC.) ARE SUBJECT TO CHANGE BASED ON THE PRODUCT