

HydroSensor I Probe

(Models: F245, F245-SM, F245-SP)

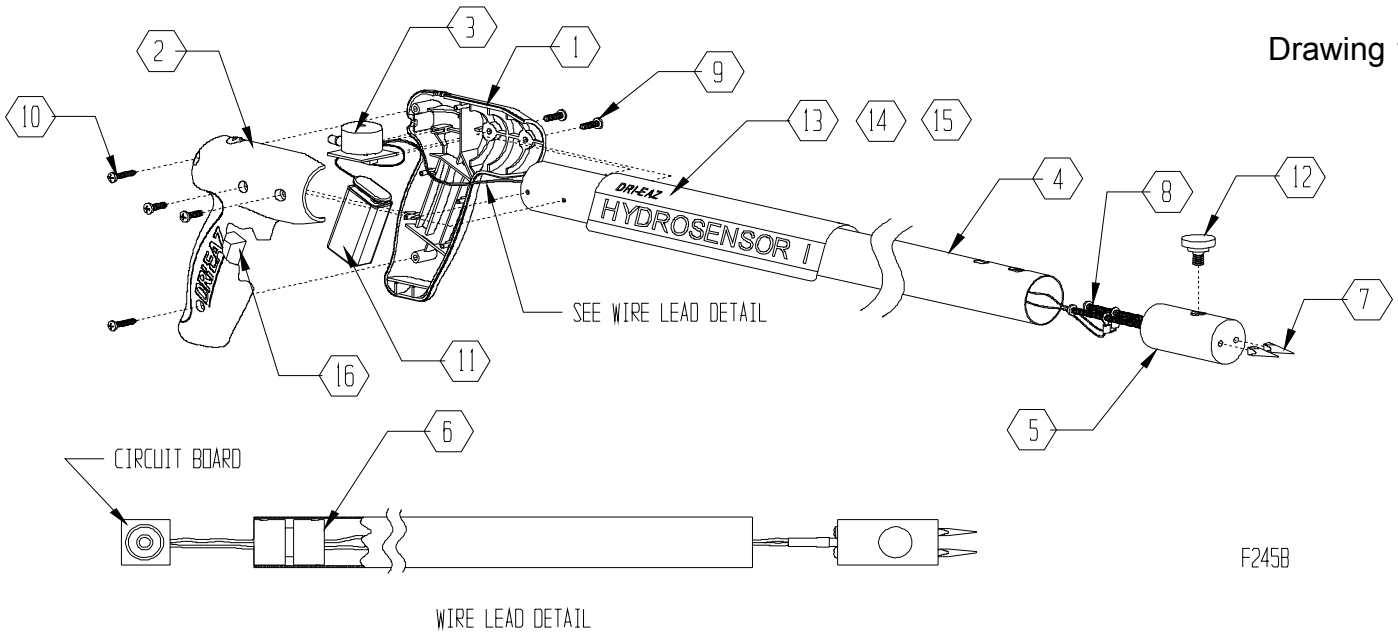
Symbol Definition

- * - multiple components to choose from for different models: voltage, size, color, et
- + - if you order this item, you may need to order additional items marked with same number of +'s in order to upgrade or complete repair

#	Part Description	Specifications/Model	Part #	Qty
	Connector	Ring #6 Insul 22/26 GA	02-00233	ea. 2
11	Battery	9V Alkaline, Square edges	02-00583	ea. 1
17	Wire Tie	Cable Tie - Nylon 4"	03-00012	ea. 1
16	Gasket	1/2 x 1/2 Polyurethane PSA (1.5")	03-00121	ft. 0.13'
12	Knob Assembly, Slide	Knob Assy - 1/4-20 X 3/8 BLK	03-00152	ea. 1
9	Screw	#6-32 x 1/2 Php Zp	03-00153	ea. 4
8	Screw	#6-32 x 2.5 Php SS	03-00161	ea. 2
	Screw +	#6-32 x 3/16 Php Zp	03-00172	ea. 2
10	Screw	Pan Head Php #6 x 7/8" Zp	03-01003	ea. 2
	Box	5.06x1.13x31.01 FOL Hydro I	06-00099	ea. 1
	Manual	Owner's	07-00315	ea. 1
13	Label	Product, w/ Serial Number (F251)	07-00361	ea. 1
14	Label	Product, w/ Serial Number (F251-SM)	07-00362	ea. 1
15	Label	Product, w/ Serial Number (F251-SP)	07-00363	ea. 1
4	Tube	Machined 304 SS 1.25 x .028 x 28.5	12-00067	ea. 1
3	Circuit Board Assy	HydroSensor I & II (Crimped)	12-00076	ea. 1
5	Point Set Assembly +	Molded assembly	12-00085	ea. 1
6	Fitting	Tube Nylon 6/6 Hydro I & II (Rev C)	12-00087	ea. 1
1,2	Handle	ABS Black - Left & Right	12-01408	ea. 1

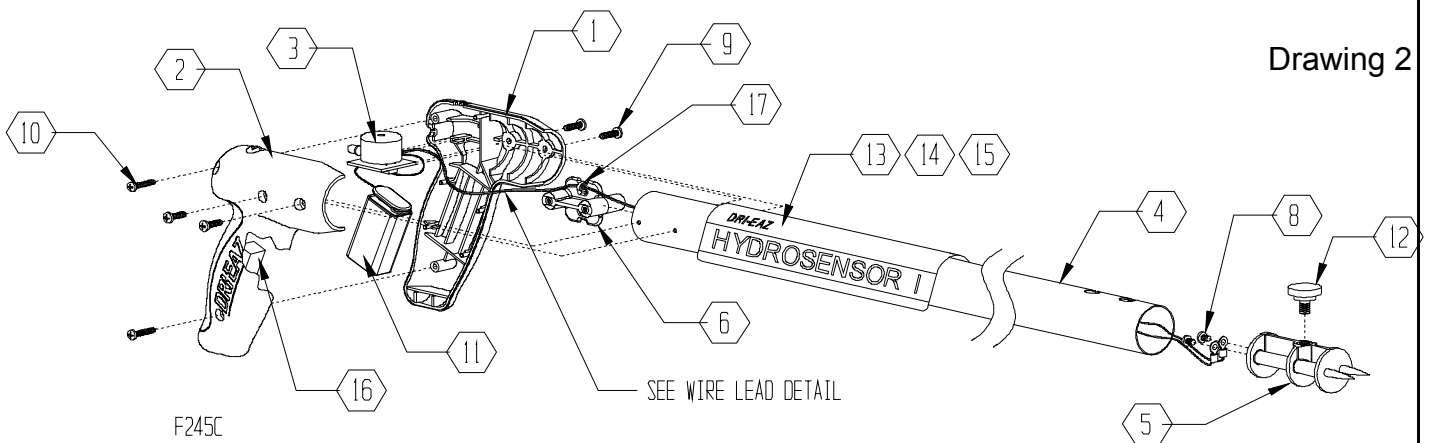
HydroSensor I Probe Pictorial Drawing

Drawing 1



F245B

Drawing 2



F245C