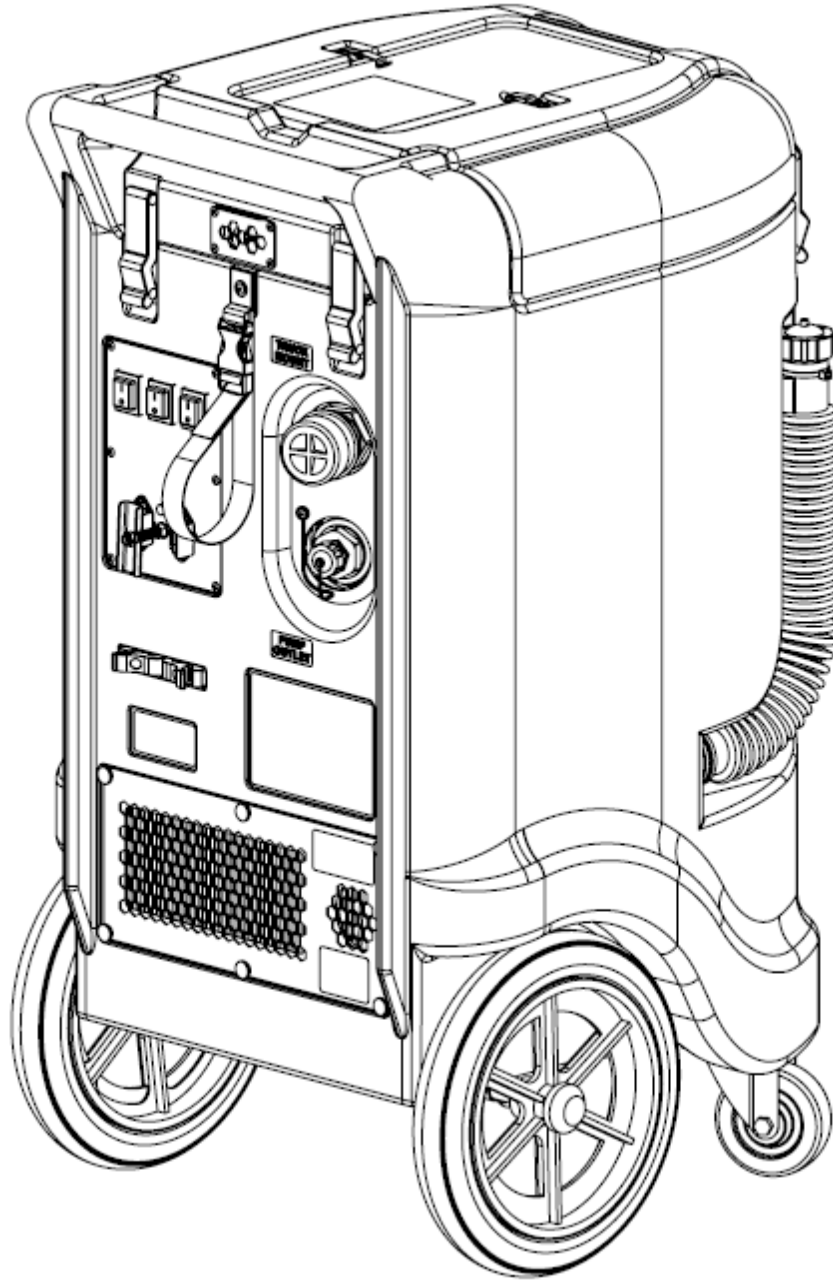
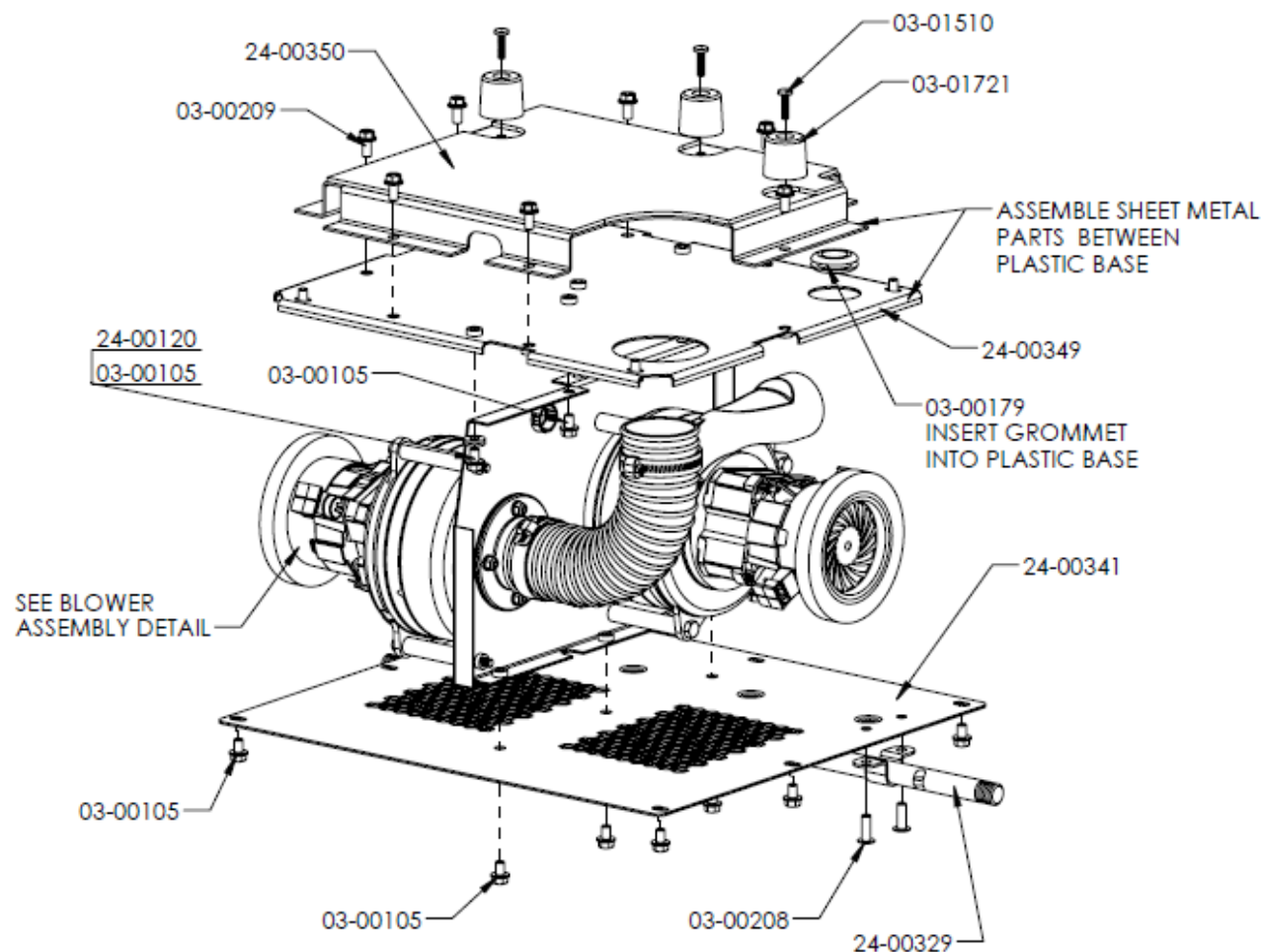


HVE 3000 115V Parts List

Model: 107977 (F479)

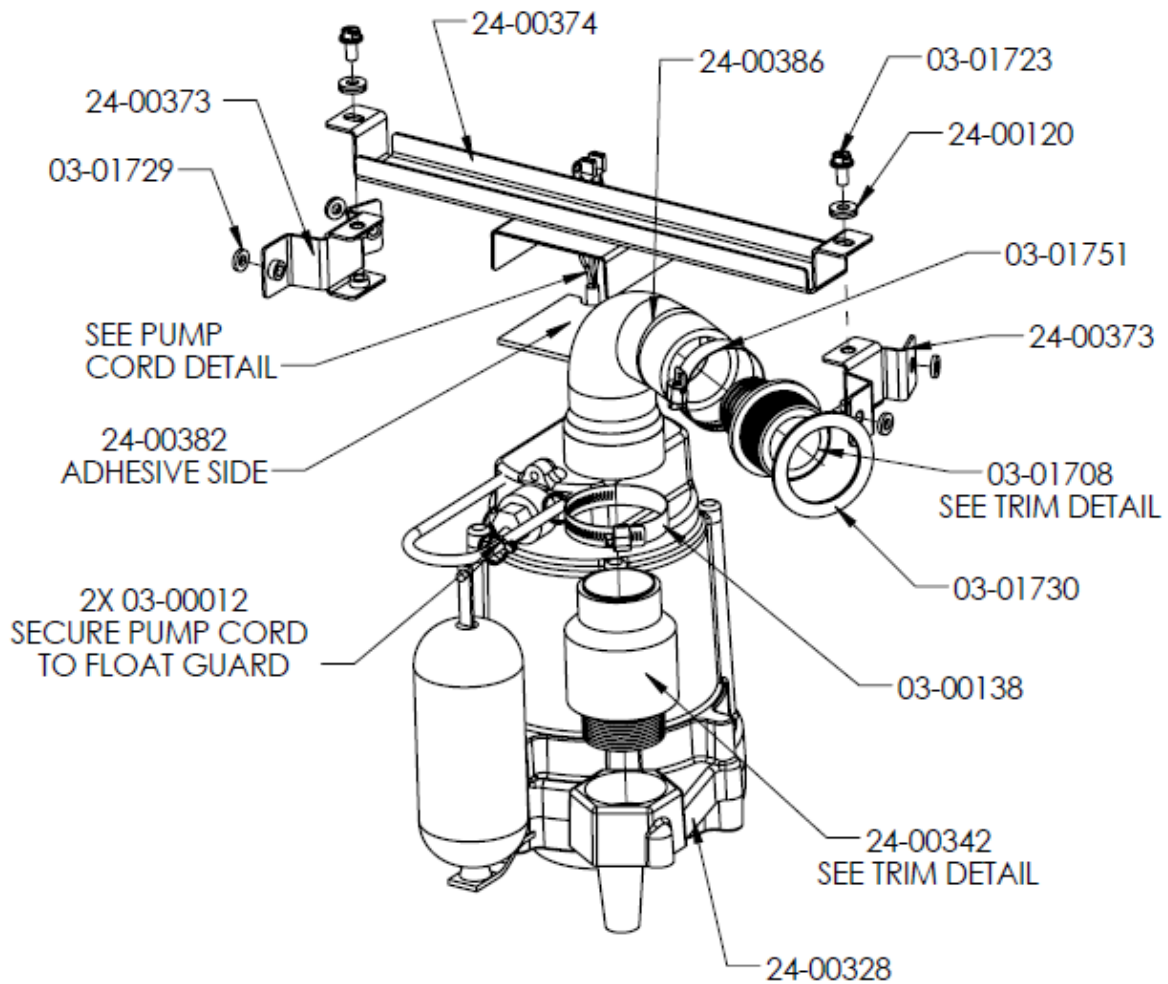




BASE UNIT ASSEMBLY

PARTS LIST

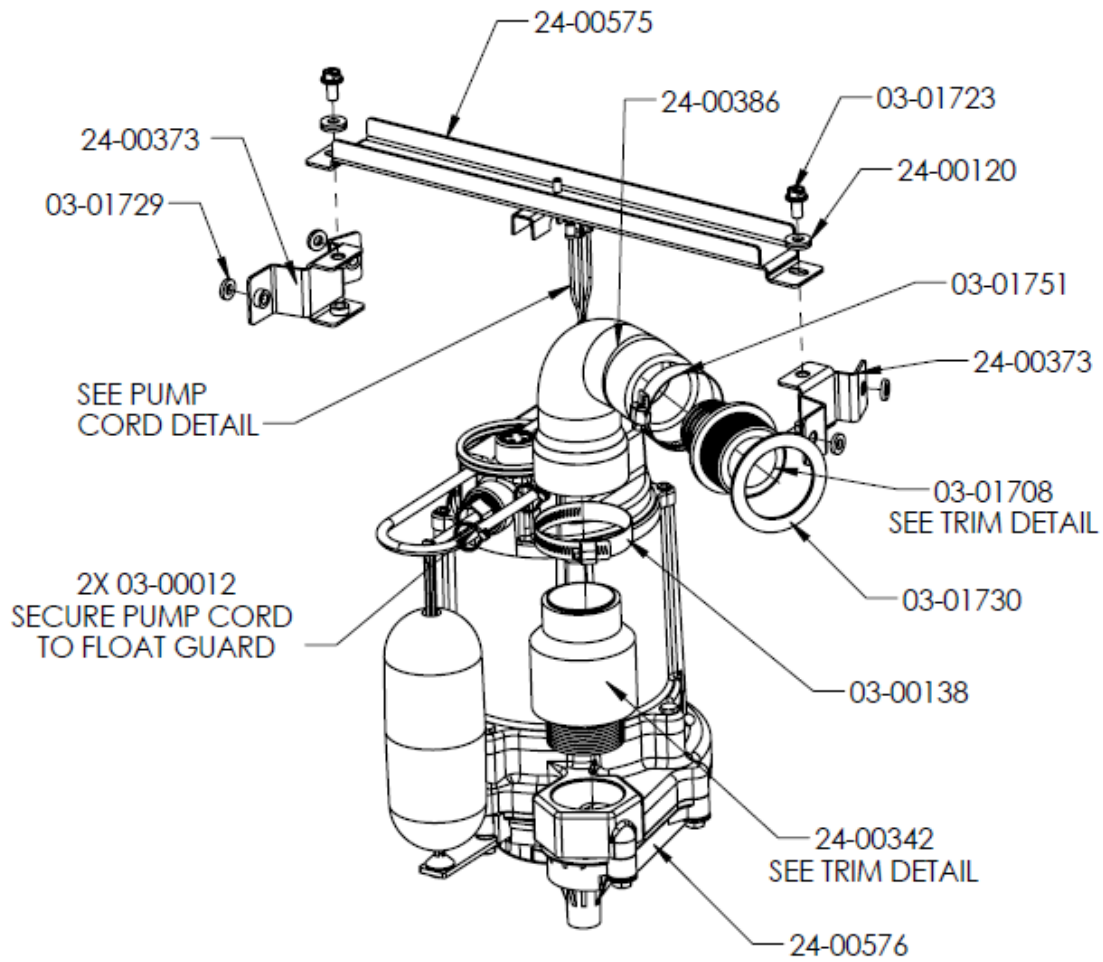
NEW PART NO.	OLD PART NO.	QTY	DESCRIPTION
112428	03-00105	18	SCREW – 1/4 – 20 X .375 HWH NYLOC ZP
105428	03-00179	1	GROMMET - .75 ID X 1.375 OD RUBBER
111942	03-00208	4	RIVET – 1/4 X 1/4 STL/STL ZP 8-4
114457	03-00209	11	SCREW – 1/4 – 20 X .50 HWH NYLOC ZP
112344	03-01510	3	SCREW - #10-24 X 3/4 PHP ZP BLK
104841	03-01721	3	FOOT – ROUND .21 ID X 1.25 OD X 1.13 RUBBER BLK
115103	24-00120	12	WASHER - .275 ID SEAL SS
105773	24-00329	1	AXLE ASSEMBLY – 5/8 OD ZP STL FLOOD PUMPER
101233	24-00341	1	BASE – EG STL PC WR BLK HVE 3000
110528	24-00349	1	PLATE – BULKHEAD MTG GALV STL HVE 3000
101896	24-00350	1	BRACKET – TANK SUPPORT GALV STL HVE 3000



PUMP ASSEMBLY DETAIL

PARTS LIST FOR UNITS UP TO 4/5/2016

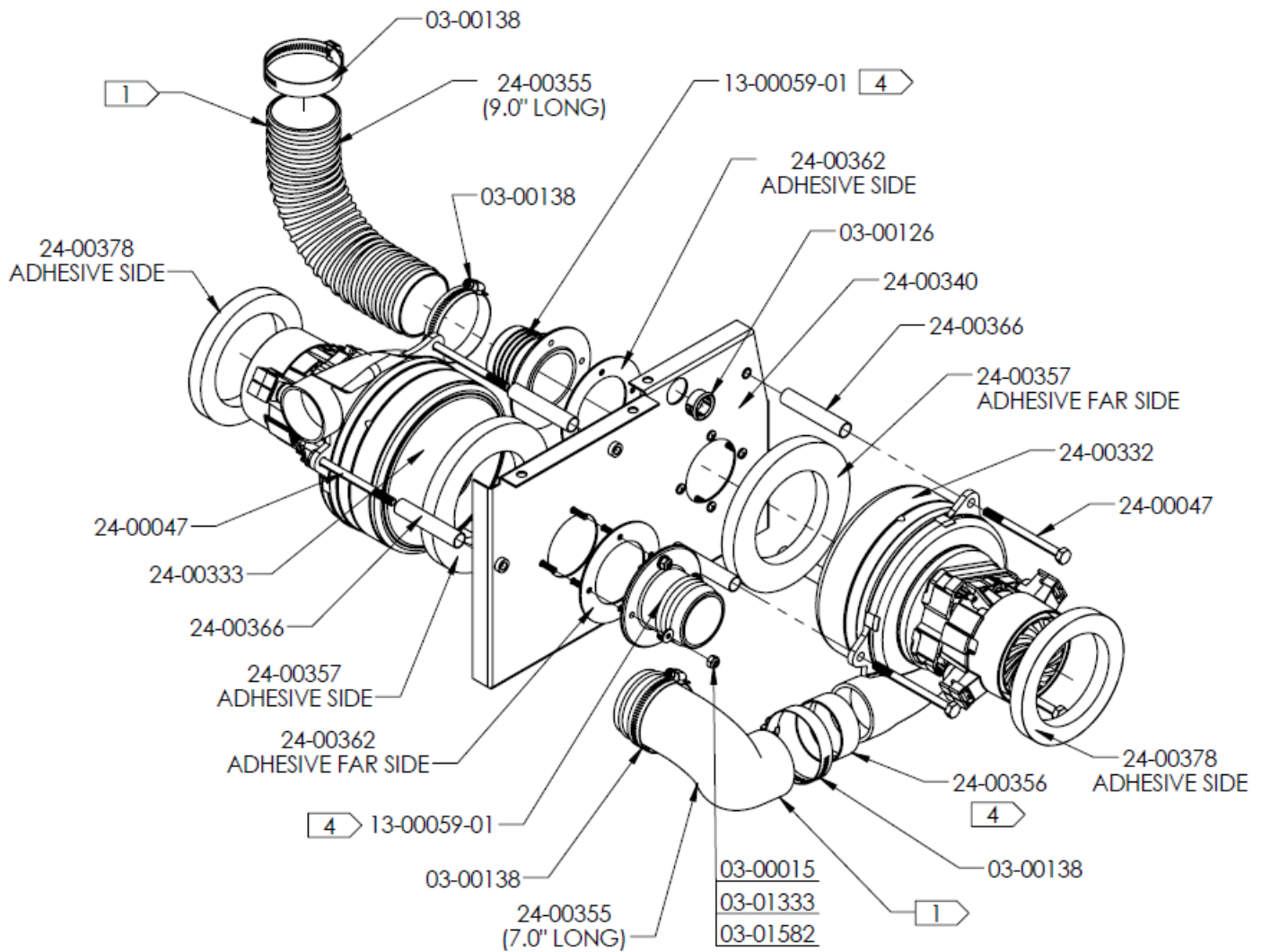
NEW PART NO.	OLD PART NO.	QTY	DESCRIPTION
102216	03-00012	2	CABLE – TIE 4 NYLON
102675	03-00138	1	CLAMP – HOSE 2.5 DIA SAE 32 WORM DRIVE
116748	03-01708	1	FITTING – 1.50 NPT X 1.50 HB ABS BLK
112426	03-01723	2	SCREW – 1/4 – 20 X 1/2 SLT HWH SS
114769	03-01729	4	WASHER – 1/4 ID X 1/2 OD X .093 NEOPRENE RUBBER
105379	03-01730	1	GASKET – 1.50 WASHER RUBBER
102845	03-01751	1	CLAMP – HOSE 2.00 DIA X 1/2 BAND SAE 24 WORM DRIVE SS
115103	24-00120	2	WASHER - .275 ID SEAL SS
120068	24-00342	1	VALVE – CHECK SWING 1-1/2 MPT X 1-1/2 SLIP ABS
101984	24-00373	2	BRACKET – PUMP HOLD DOWN SUPPORT SS HVE 3000
107404	24-00386	1	HOSE – PUMP OUTLET REINFORCED EPDM HVE 3000



PUMP ASSEMBLY DETAIL

NEW PUMP ASSY (TOO REPLACE OLD FROM 4/6/2016)

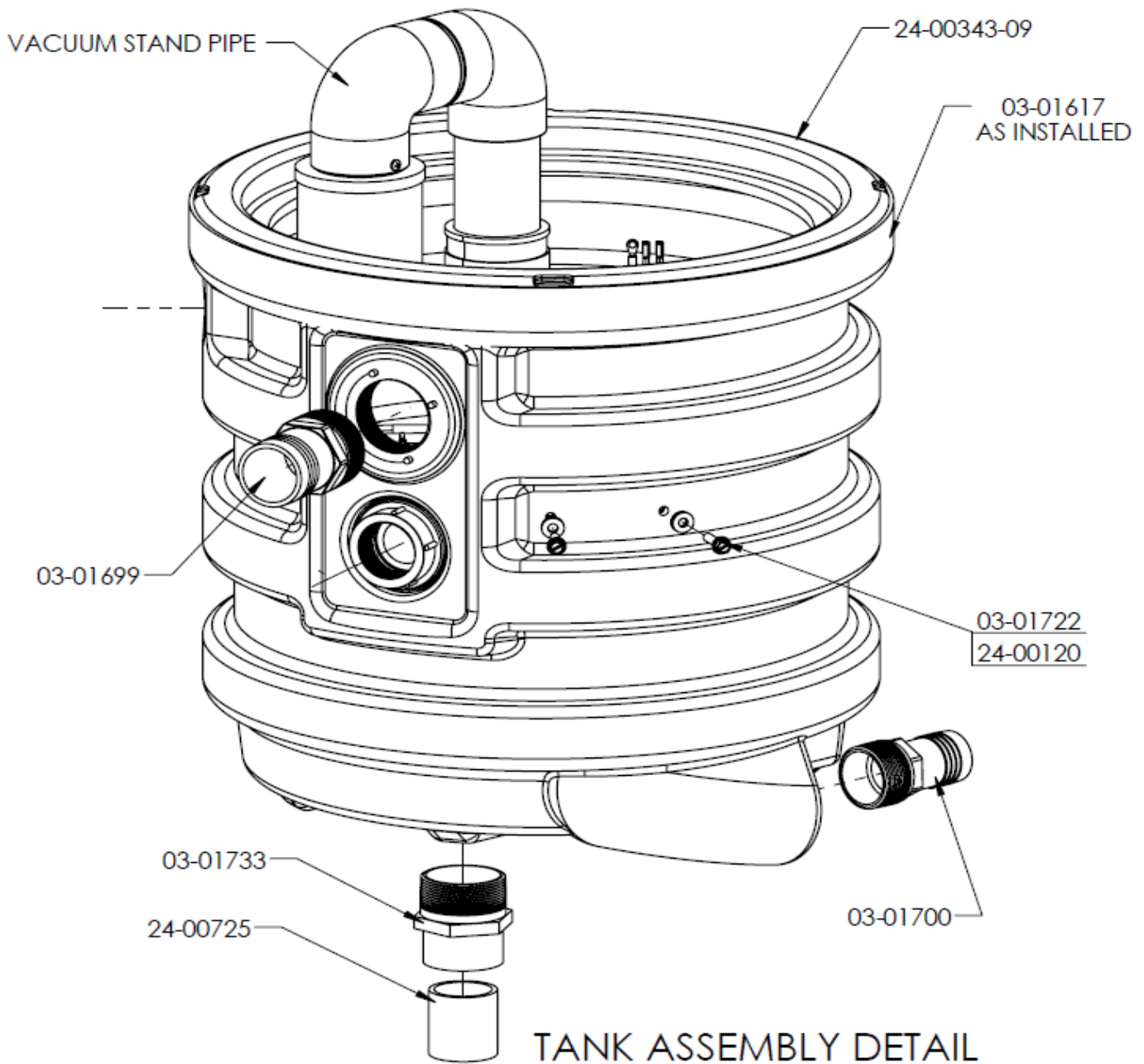
NEW PART NO.	OLD PART NO.	QTY	DESCRIPTION
102216	03-00012	2	CABLE – TIE 4 NYLON
102675	03-00138	1	CLAMP – HOSE 2.5 DIA SAE 32 WORM DRIVE
116748	03-01708	1	FITTING – 1.50 NPT X 1.50 HB ABS BLK
112426	03-01723	2	SCREW – 1/4 – 20 X 1/2 SLT HWH SS
114769	03-01729	4	WASHER – 1/4 ID X 1/2 OD X .093 NEOPRENE RUBBER
105379	03-01730	1	GASKET – 1.50 WASHER RUBBER
102845	03-01751	1	CLAMP – HOSE 2.00 DIA X 1/2 BAND SAE 24 WORM DRIVE SS
115103	24-00120	2	WASHER - .275 ID SEAL SS
120068	24-00342	1	VALVE – CHECK SWING 1-1/2 MPT X 1-1/2 SLIP ABS
101984	24-00373	2	BRACKET – PUMP HOLD DOWN SUPPORT SS HVE 3000
107404	24-00386	1	HOSE – PUMP OUTLET REINFORCED EPDM HVE 3000
108061	24-00575i	1	BRACKET ASSY – CAST PUMP HOLD DOWN HVE 3000
119095	24-00576	1	PUMP – SUMP 115V 52 GPM 1/3HP 1-1/2 DISCHARGE



BLOWER ASSEMBLY DETAIL

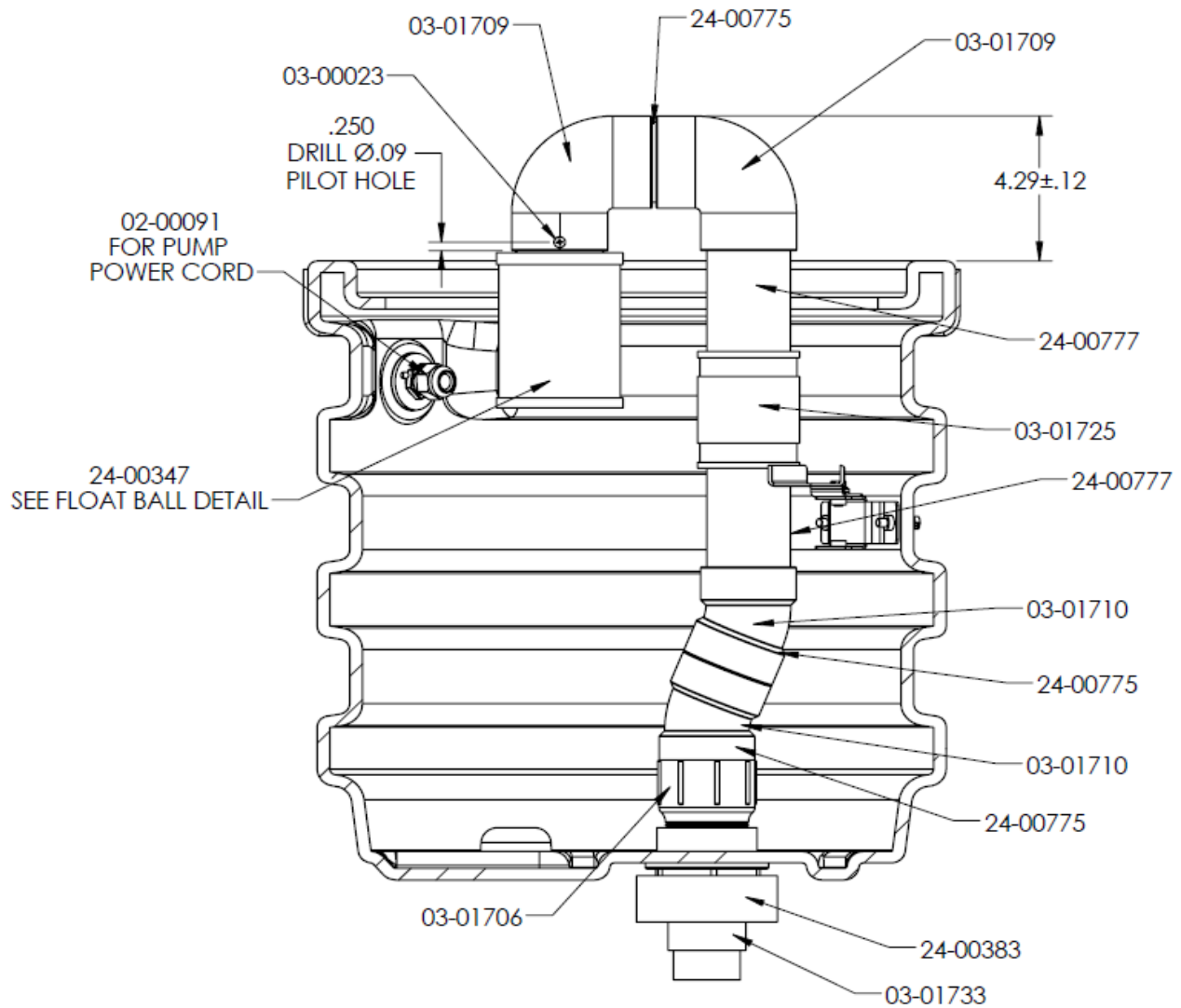
NEW PART NO.	OLD PART NO.	QTY	DESCRIPTION
109615	03-00015	8	NUT - #8-32 NYLOC ZP
103276	03-00126	1	BUSHING - .671 ID X .875 X .41 SPLIT NYLOC BLK
102675	03-00138	4	CLAMP - HOSE 2.50 DIA SAE 32 WORM DRIVE
115147	03-01333	8	WASHER - 5/32 RIVET .16 ID X .43 OD X .06 AL
112359	03-01582	8	SCREW - #8-32 X .625 PHIL PH ZP
101539	13-00059-01	2	BASE CONNECTOR TRIMMED
119401	24-00047	6	SCREW - 1/4-20 X 3.50 HH ZP
106961	24-00332	1	BLOWER ASSY - 120V 910W 1SP 2 STAGE
101429	24-00333	1	BLOWER ASSY - 120V 1630W 1SP 2 STAGE HP
108046	24-00340	1	BRACKET - BLOWER MOUNTING GALV STL HVE 3000
117358	24-00355	16 IN	HOSE - VAC 2 IN WIRE REINFORCE TPE PVC
112880	24-00356	1	SLEEVE - ADAPTOR 2 IN DIA VACUUM BLOWER ALUM
105467	24-00357	2	GASKET - VACUUM BLOWER INLET NEOPRENE PSA
105180	24-00362	2	GASKET - BASE CONNECTOR NEOPRENE PSA
112956	24-00366	6	SPACER - BLOWER .50 OD X .03 WALL ALUM
105466	24-00378	2	GASKET - VAC MOTOR COOLING INLET RING NEOPRENE PSA

OUTSIDE VIEW



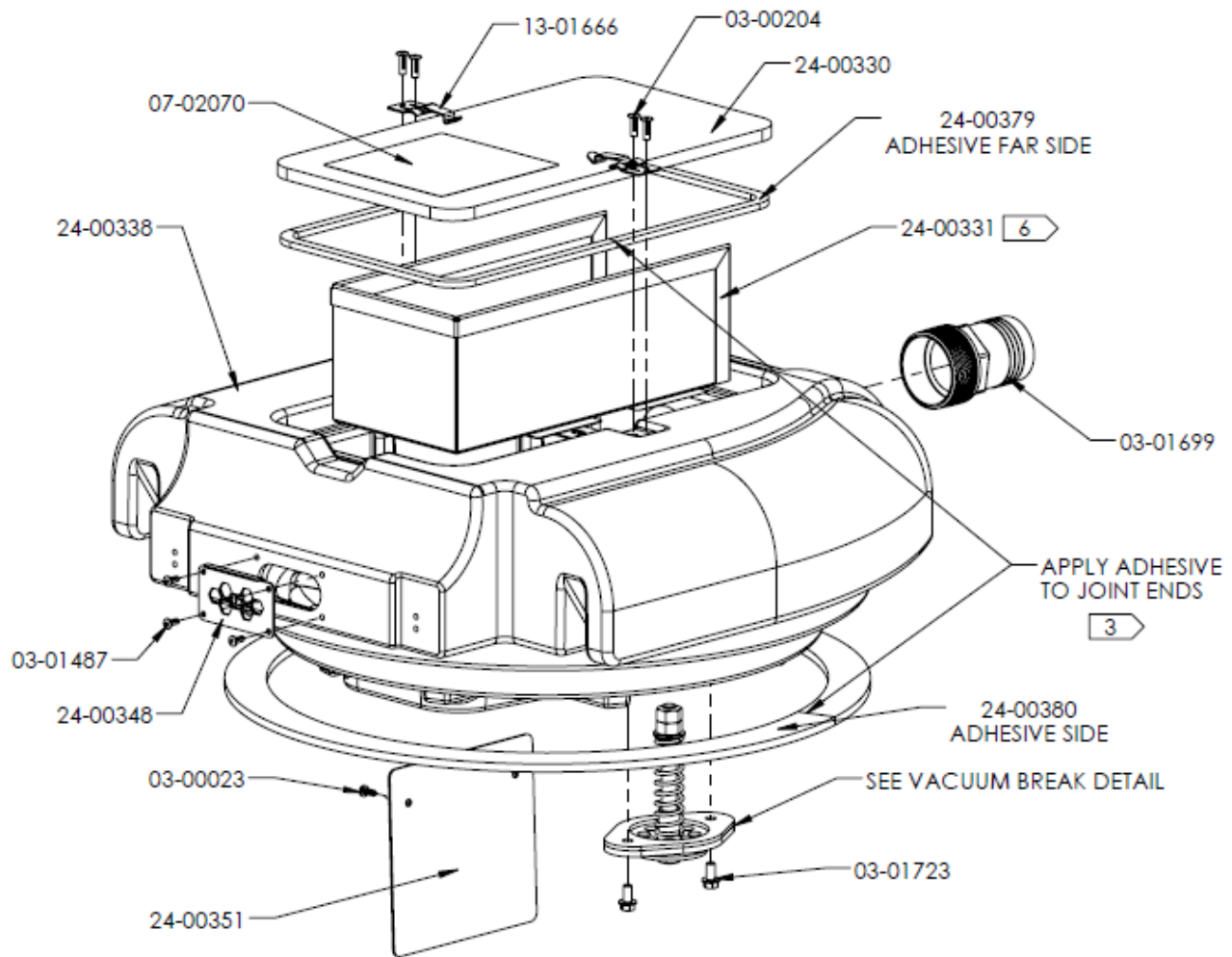
NEW PART NO.	OLD PART NO.	QTY	DESCRIPTION
105014	03-01699	1	FITTING – 2.0 NPT X 2.0 HB PP
116749	03-01700	1	FITTING – 1.50 NPT X 1.50 HB PP
112425	03-01722	4	SCREW – 1/4 -20 X 1.00 HWH SS
104742	03-01733	1	FITTING – REDUCING ADAPTOR 2.0 NPT X 1.50 SLIP PVC
115103	24-00120	4	WASHER - .275 ID SEAL SS
112295	24-00725	1	PIPE – 1 1/2 IN PVC 2 IN CUT

INSIDE VIEW OF TANK ASSEMBLY



PARTS LIST

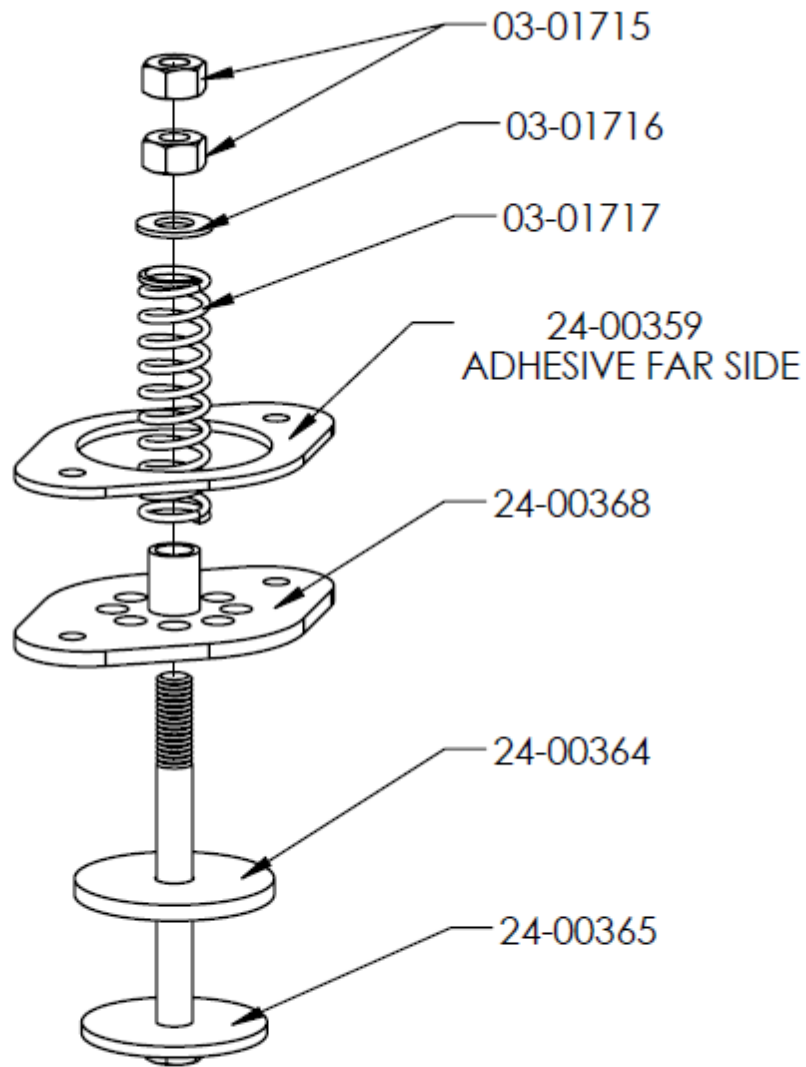
NEW PART NO.	OLD PART NO.	QTY	DESCRIPTION
115581	02-00091	1	STRAIN RELIEF – LIQUID TIGHT .470 BLK
112357	03-00023	1	SCREW - #8 X 1/2 PHP ZP
106431	03-01706	1	FITTING – ADAPTOR 2.0 NPT X 2.0 SLIP PVC
103956	03-01709	2	ELBOW – 90 DEGREE 2 IN SCH 40 PVC WHT
104190	03-01710	2	ELBOW – 22.5 DEGREE 2 IN DWV PVC WHT
103942	03-01725	1	COUPLING – 2 IN X 2 IN RUBBER WITH CLAMPS
104742	03-01733	1	FITTING – REDUCING ADAPTOR 2.0 NPT X 1.5 SLIP PVC
113266	24-00347	1	STRAINER – FLOAT BALL 2.38 OD
106729	24-00383	1	GASKET – RING TANK VACUUM INLET POLYURETHANE
112297	24-00775	3	PIPE – 2 IN PVC 2 IN CUT DWV WHT
110469	24-00777	2	PIPE – 2 IN PVC 6.25 IN CUT DWV WHT



COVER ASSEMBLY DETAIL

PARTS LIST

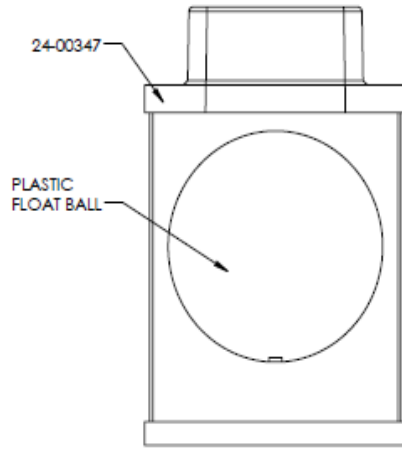
NEW PART NO.	OLD PART NO.	QTY	DESCRIPTION
112357	03-00023	2	SCREW - #8 X 1/2 PHP ZP
112015	03-00204	4	RIVET - 3/16 X 5/8 TRI FOLD AL/AL
123076	03-01487	4	RIVET - 5/32 X 1/4 TRI FOLD AL/AL BLK
105014	03-01699	1	FITTING - 2.0 NPT X 2.0 HB PP
112426	03-01723	2	SCREW - 1/4 - 20 X 1/2 SLT HWH SS
107295	07-02070	1	LABEL - HVE 3000 HEPA FILTER USE
109527	13-01666	2	LATCH - SNAP SS
108116	24-00330	1	LID - FILTER SCREEN CLEAR PC
116699	24-00331	1	FILTER SCREEN ASSY - PERFORATED SS HVE 3000
119520	24-00348	1	SHROUD - VAC INLET EG STL PC WR BLK HVE 3000
112663	24-00351	1	SHIELD - STRAINER BALL FLOAT
106645	24-00379	1	GASKET - .188 X .375W POLYURETHANE PSA
105378	24-00380	1	GASKET - .25 X 1.25W SBR PSA



VACUUM BREAK DETAIL 8

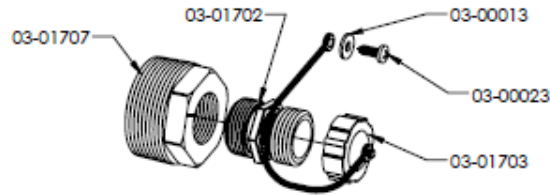
PARTS LIST

NEW PART NO.	OLD PART NO.	QTY	DESCRIPTION
109614	03-01715	2	NUT – 7/16 – 14 ZP
114777	03-01716	1	WASHER – 7/16 SAE .469 ID X .922 OD X .065 ZP
119617	03-01717	1	SPRING – VAC RELIEF VALVE HVE 3000
106732	24-00359	1	GASKET – VACUUM BRAKE NEOPRENE
114703	24-00364	1	DIAPHRAGM – VACUUM RELIEF REINFORCED RUBBER
113171	24-00365	1	STEM ASSY – VAC RELIEF HVE 3000
110537	24-00368	1	PLATE ASSY – VAC BREAK HVE 3000

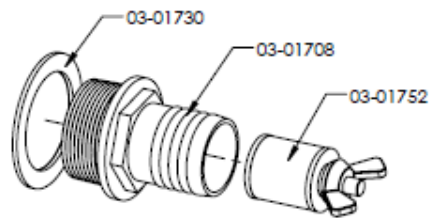


FLOAT BALL DETAIL

NEW PART NO.	OLD PART NO.	QTY	DESCRIPTION
113266	24-00347	1	STRAINER – FLOAT BALL 2.38 OD



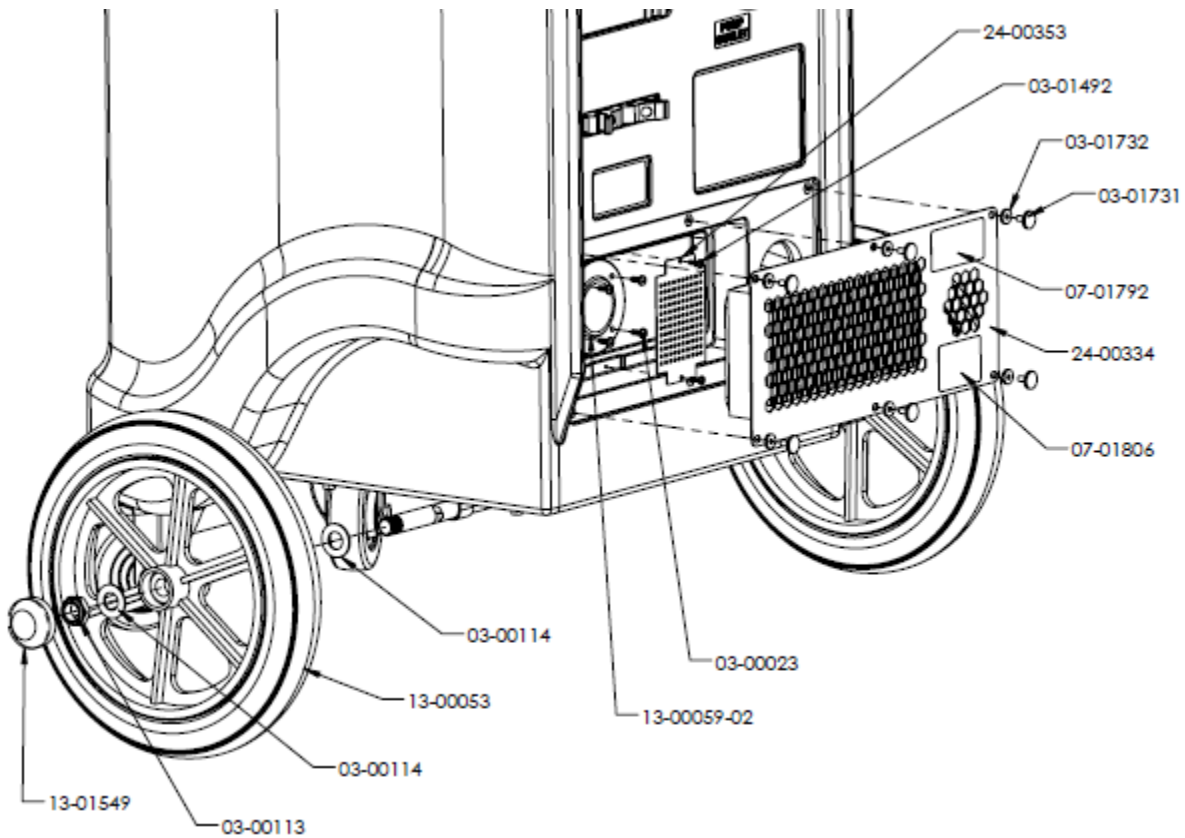
6 GARDEN HOSE ADAPTOR DETAIL



1-1/2" HOSE ADAPTOR DETAIL

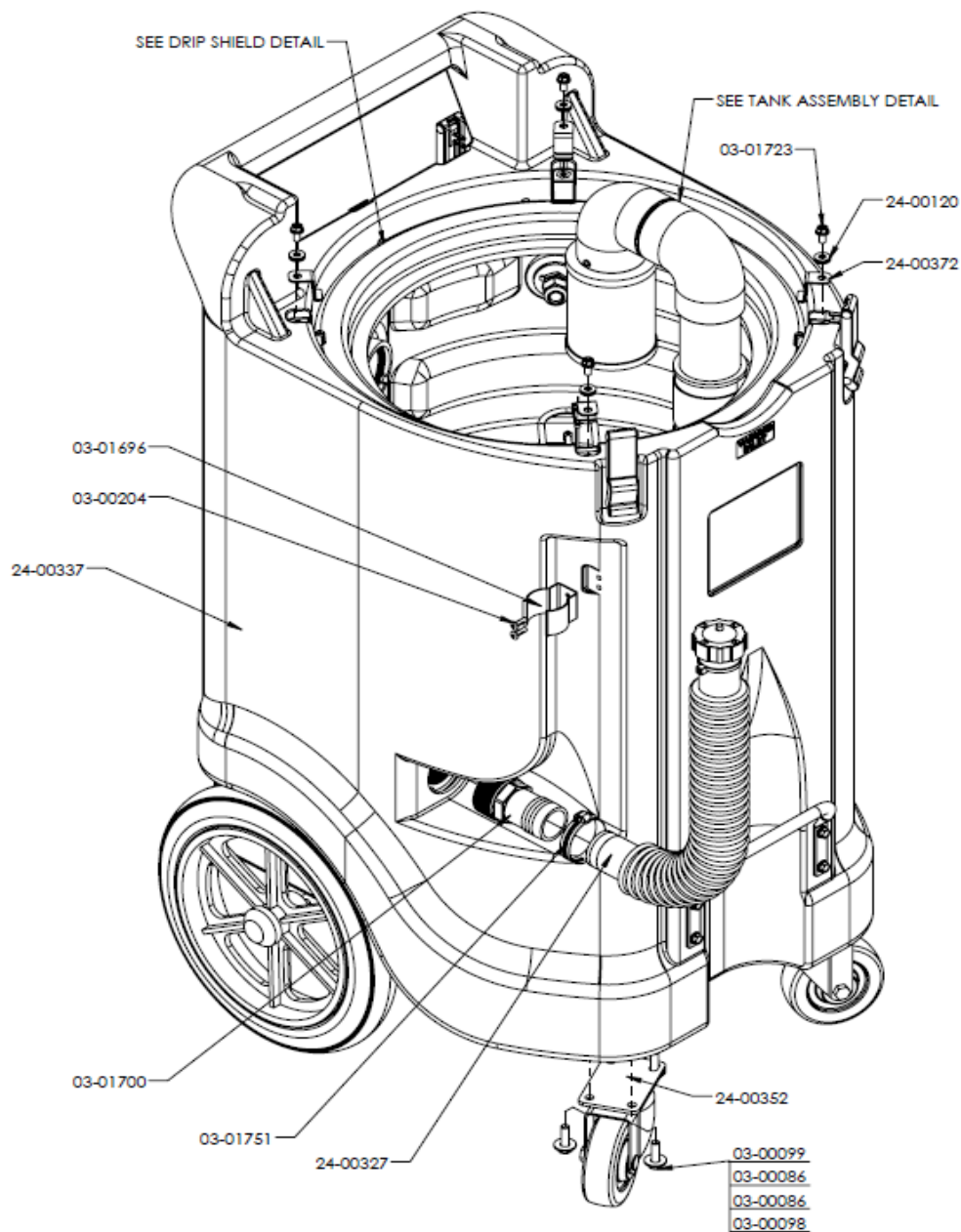
NEW PART NO.	OLD PART NO.	QTY	DESCRIPTION
114773	03-00013	1	WASHER – 3/16 RIVET .19 ID .47 OD X .05 ZP
112357	03-00023	1	SCREW - #8 X 1/2 PHP ZP
104657	03-01702	1	FITTING – ADAPTOR 3/4 GHT X 3/4 NPT
102485	03-01703	1	CAP – 3/4 GHT W/ LANYARD BLK
108673	03-01707	1	BUSHING – REDUCING 1-1/2 NPT X 3/4 FNPT PVC GRAY
116748	03-01708	1	FITTING – 1.50 NPT X 1.50 HB ABS BLK
105379	03-01730	1	GASKET – 1.50 WASHER RUBBER
110670	03-01752	1	PLUG – PIPE 1-1/4 DIA RUBBER

LOWER REAR VIEW



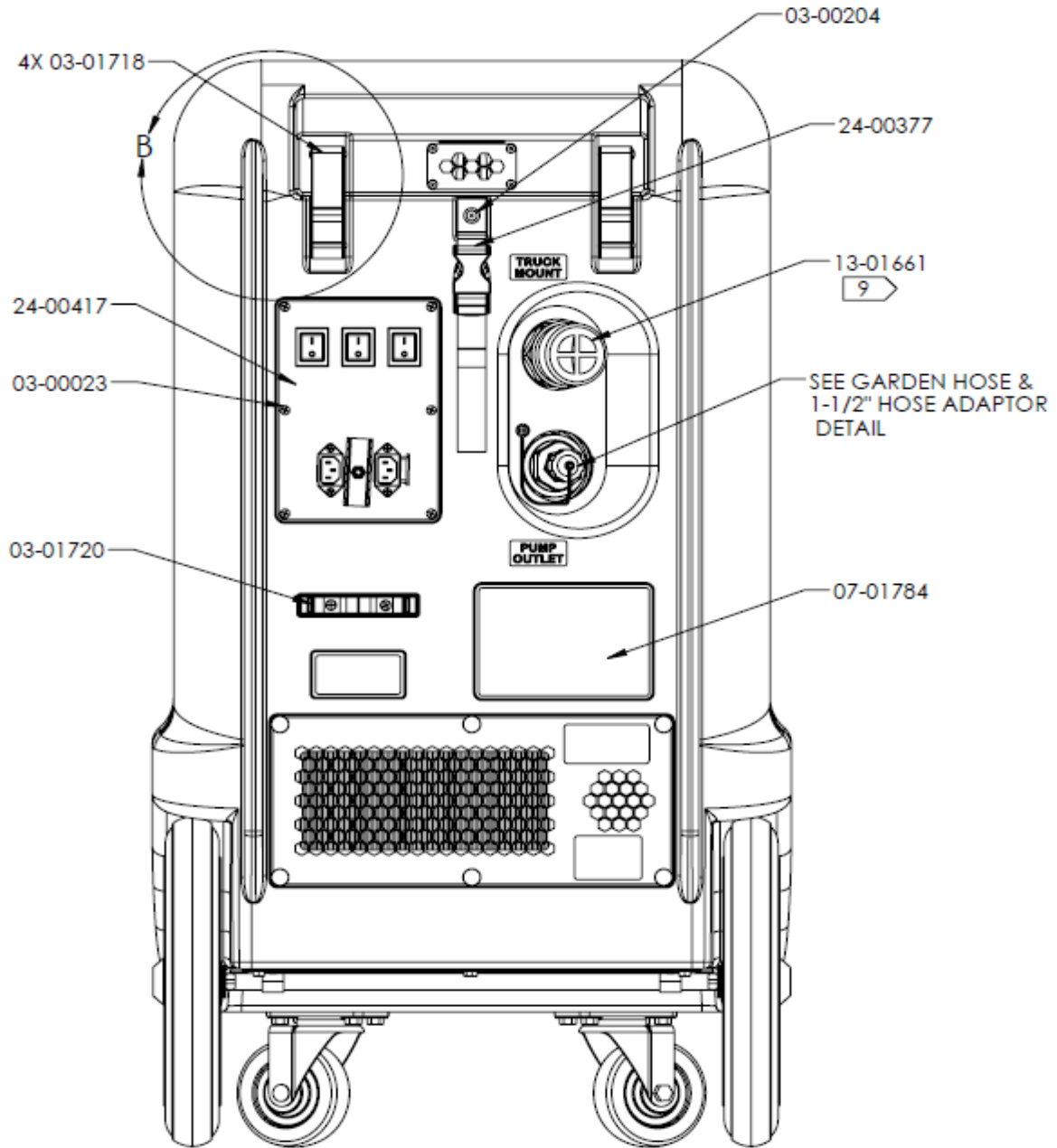
PARTS LIST

NEW PART NO.	OLD PART NO.	QTY	DESCRIPTION
112357	03-00023	4	SCREW - #8 X 1/2 PHP ZP
111311	03-00113	2	NUT - 5/8-11 UNC THIN ZP NYLOC
114776	03-00114	4	WASHER - 5/8 AN .63 ID X 1.187 OD X .06 SS
114409	03-01492	2	SCREW - #6 X 1/2 AB PHP ZP
119422	03-01731	6	SCREW - THUMB #10-24 X 3/8 KNURLED 5/8 DIA BLK
120134	03-01732	6	WASHER - .17 ID X .50 OD X .09 NEOPRENE RUBBER
120300	13-00053	2	WHEEL - 12 X 2 X 5/8 BORE GREY
101452	13-00059-02	1	BASE CONNECTOR TRIMMED
103879	13-01549	2	DUST CAP - 12 OD WHEEL NYLON BLK
104897	24-00334	1	FILTER SHROUD - EGS PC WR BLK HVE 3000
112374	24-00353	1	PLATE - DEFLECTOR



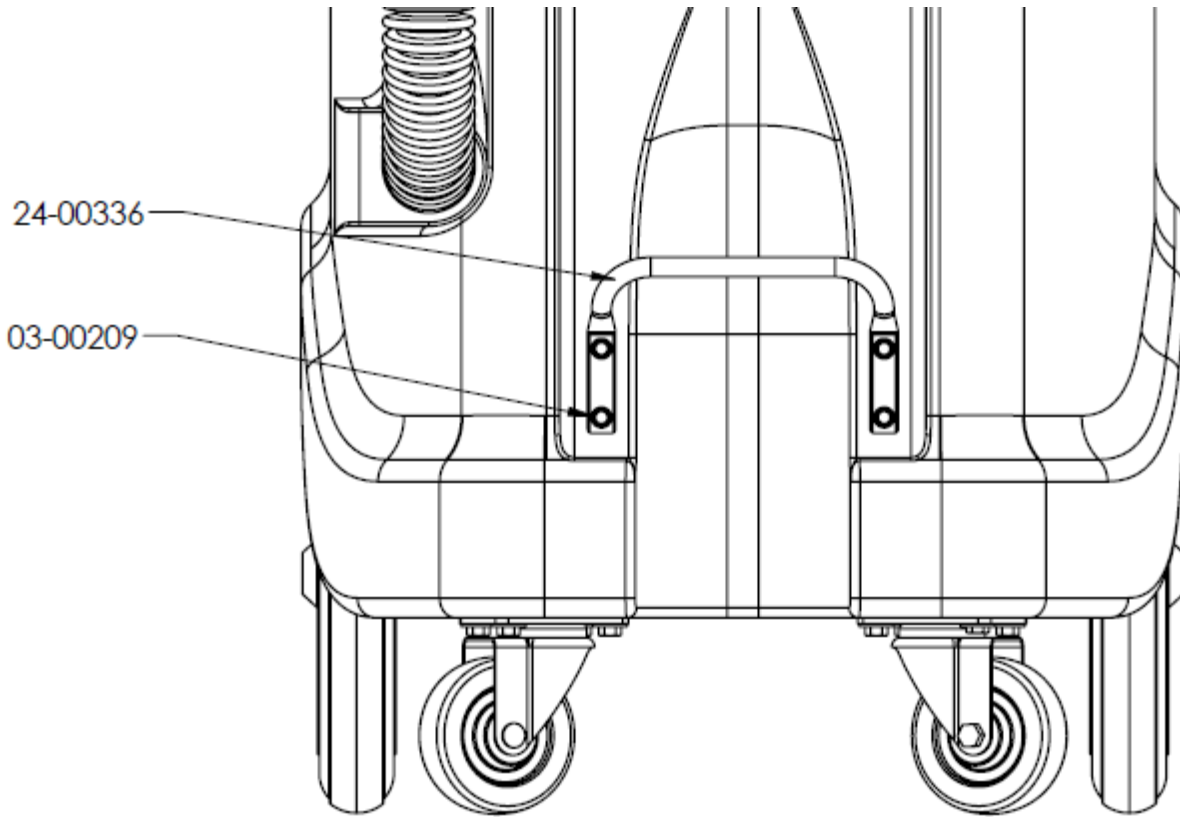
NEW PART NO.	OLD PART NO.	QTY	DESCRIPTION
115146	03-00086	16	WASHER - 5/16 USS .375 ID X .875 OD X .08ZP
111310	03-00098	8	NUT - 5/16-18 NYLOC ZP
112592	03-00099	8	SCREW - 5/16/18 X 1.0 HH ZP
112015	03-00204	2	RIVET - 3/16 X 5/8 TRI FOLD AL/AL
102875	03-01696	1	CLIP - GRIP 1.38 DIA SPRING STL BLK VINYL COAT
116749	03-01700	1	FITTING - 1.50 NPT X 1.50 HB PP
112426	03-01723	4	SCREW - 1/4 - 20 X 1/2 SLT HWH SS
102845	03-01751	1	CLAMP - HOSE 2.00 DIA X 1/2 BAND SAE 24 WORM DRIVE SS
115103	24-00120	4	WASHER - .275 ID SEAL SS
117387	24-00327	1	HOSE ASSY - GRAVITY DRAIN 1.44 ID X 2FT EPDM
101344	24-00337	1	BASE - POLYETHYLENE
109746	24-00352	2	CASTER - SWIVEL 4.0 X 1.25 SOFT POLYURETHANE

BACK VIEW



NEW PART NO.	OLD PART NO.	QTY	DESCRIPTION
112357	03-00023	6	SCREW - #8 X 1/2 PHP ZP
112015	03-00204	1	RIVET - 3/16 X 5/8 TRI FOLD AL/AL
109463	03-01718	4	LATCH - DRAW FLEXIBLE OVER CENTER TPE
102874	03-01720	2	CLIP - CORD ACCESSORY NYLON BLK
109130	07-01784	1	LABEL - WARNING HVE 3000
102484	13-01661	1	CAP - 2.0 IN ID RUBBER BLACK
116256	24-00417	1	ELECTRICAL PANEL ASSY - 115V HVE 3000

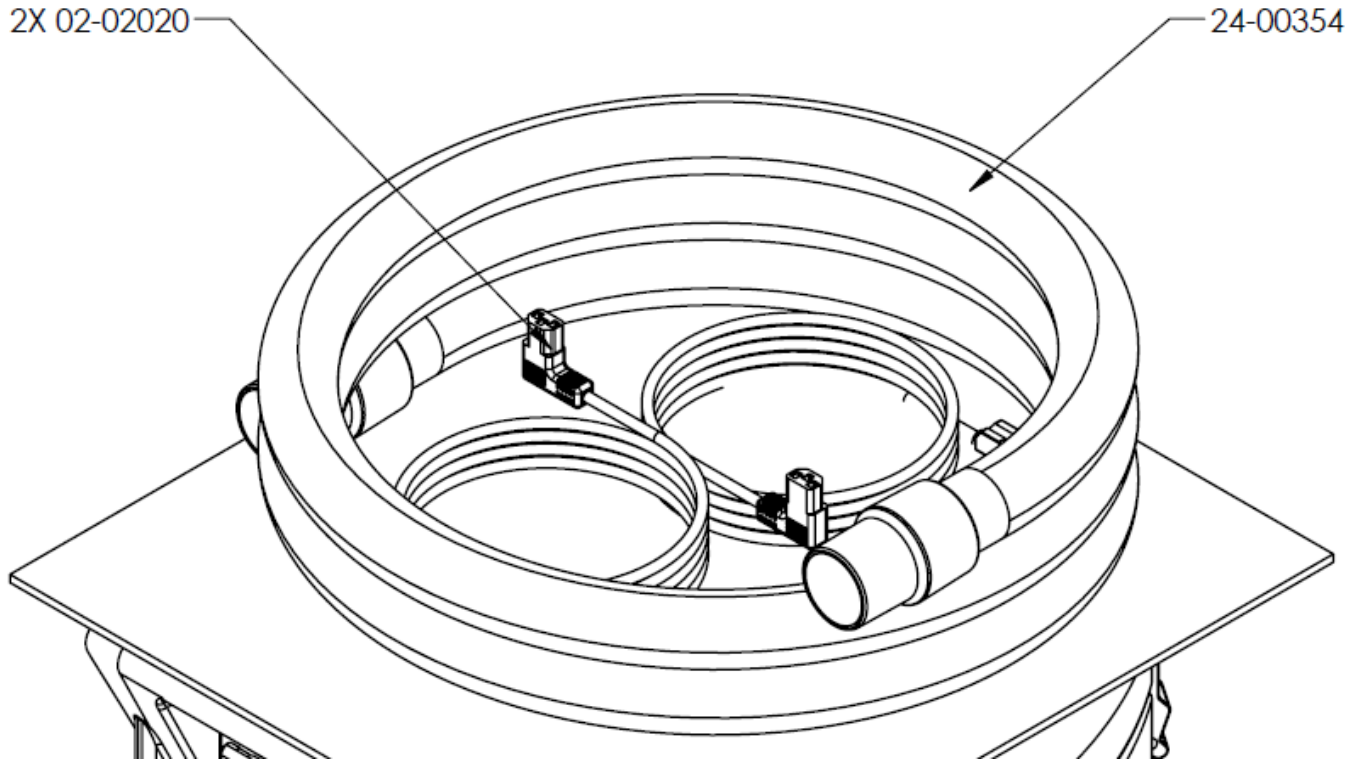
GRAB HANDLE



PARTS LIST

NEW PART NO.	OLD PART NO.	QTY	DESCRIPTION
114457	03-00209	4	SCREW - 1/4 - 20 X .50 HWH NYLOC ZP
105720	24-00336	1	HANDLE - GRAB SS HVE 3000

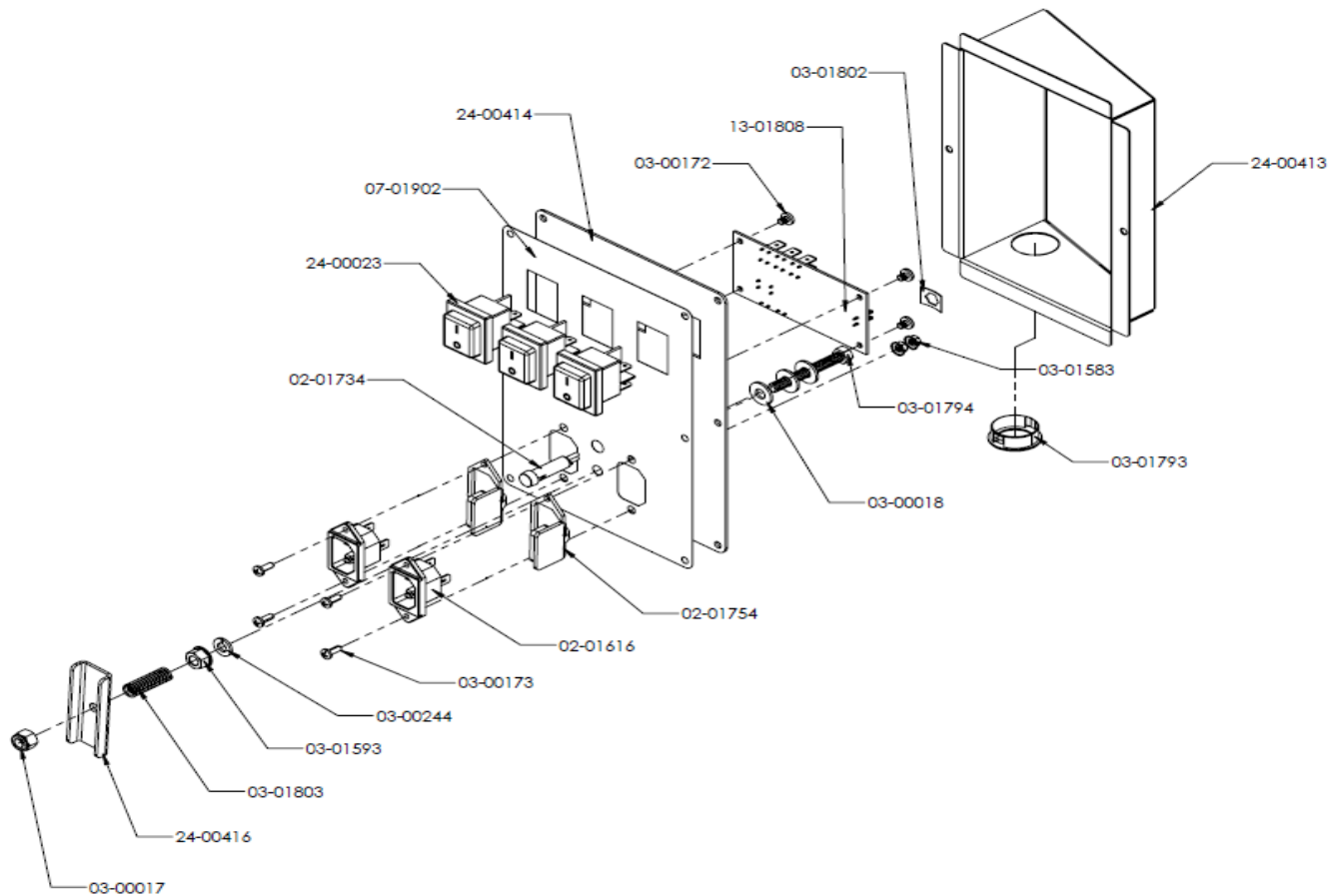
VACUUM HOSE AND POWER CORDS



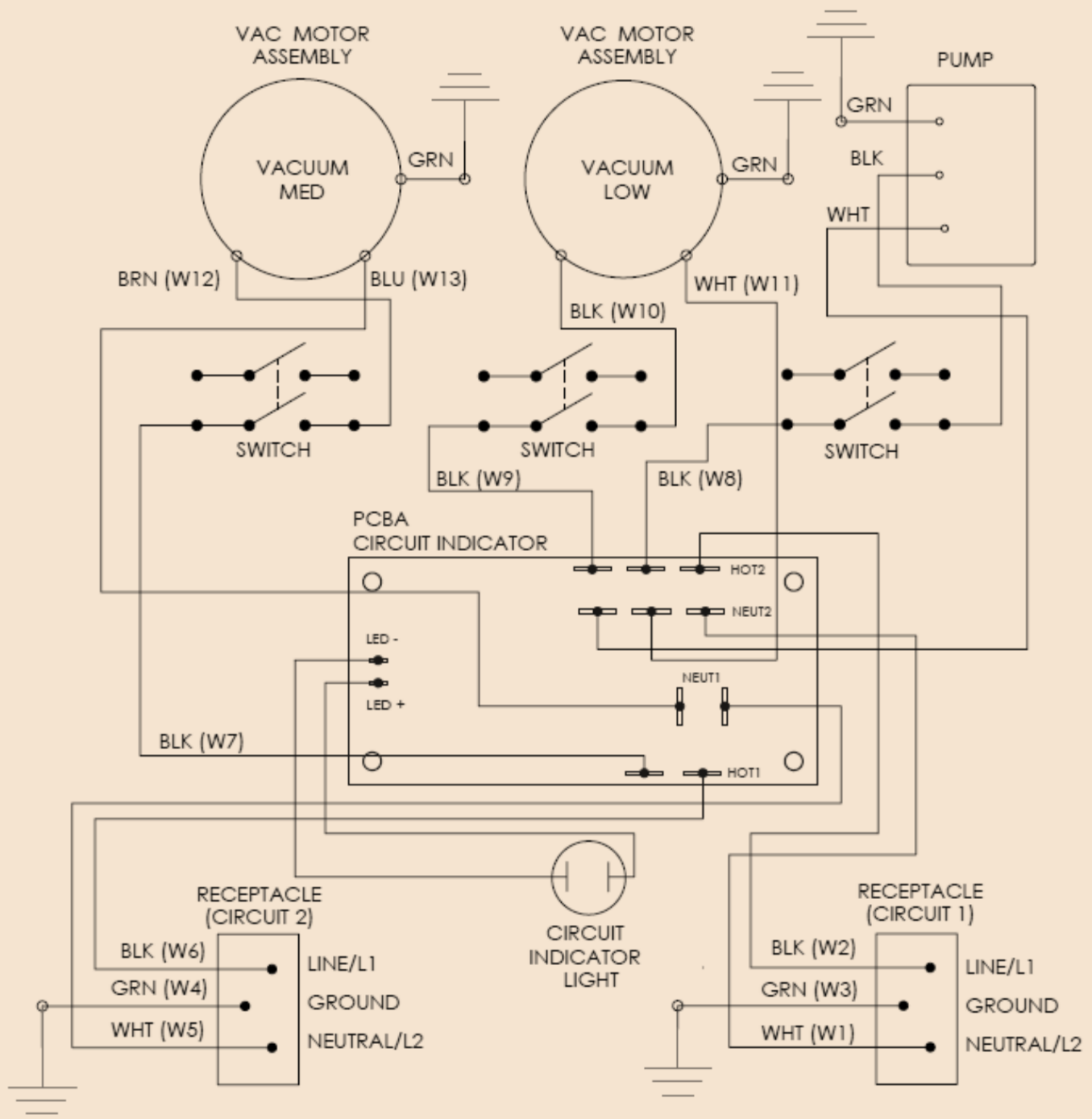
PARTS LIST

NEW PART NO.	OLD PART NO.	QTY	DESCRIPTION
111252	02-02020	2	POWER CORD ASSY – 14/3 SJTW 5-15/IEC 25FT
107481	24-00354	1	HOSE ASSY – VAC 2 IN X 25FT GRAY W/ CUFFS

ELECTRICAL BOX



NEW PART NO.	OLD PART NO.	QTY	DESCRIPTION
111893	02-01616	2	RECEPTACLE – INLET IEC 320 W/ MTG EARS
118132	02-01734	1	LIGHT – INDICATOR 2V LED GREEN
102520	02-01754	2	CAP –RECEPTACLE IEC
118403	03-00017	1	NUT- 1/4 – 20 NYLOC ZP
123048	03-00018	3	WASHER – 1/4 SAE .281 ID X .625 OD X .06 ZP
119389	03-00172	4	SCREW - #6-32 X 3/16 PHIL PH ZP
123095	03-00173	4	SCREW - #6-32 X 3/8 PHIL PH ZP
115105	03-00244	1	WASHER - .25 LOCK SINC
111307	03-01583	4	NUT - #8-32 W/STAR WASHER ZP
103277	03-01793	1	BUSHING – SNAP .766 ID X 1.00 X .56 NYLON BLK
114463	03-01794	1	SCREW – 1/4 – 20 X 2.0 HH ZP
103672	03-01802	1	CLIP – TINNEMAN .313 DIS BLACK OXIDE
115361	03-01803	1	SPRING - .36 OD X 2.00 X .042 DIA GALV STL
107683	07-01902	1	LABEL – SWITCH PLATE W/ CORD HOLDER HVE 3000
118670	13-01808	1	PCBA - SEPARATE CIRCUIT INDICATOR
115678	24-00023	3	SWITCH – ROCKER DPST
116162	24-00413	1	ELECTRICAL BOX – WIRE BOX HVE 3000
111874	24-00414	1	PANEL – SWITCH PLATE W CORD HOLDER HVE 3000
110079	24-00416	1	PLATE – CORD HOLDER



Ⓜ WIRING SCHEMATIC 115V