

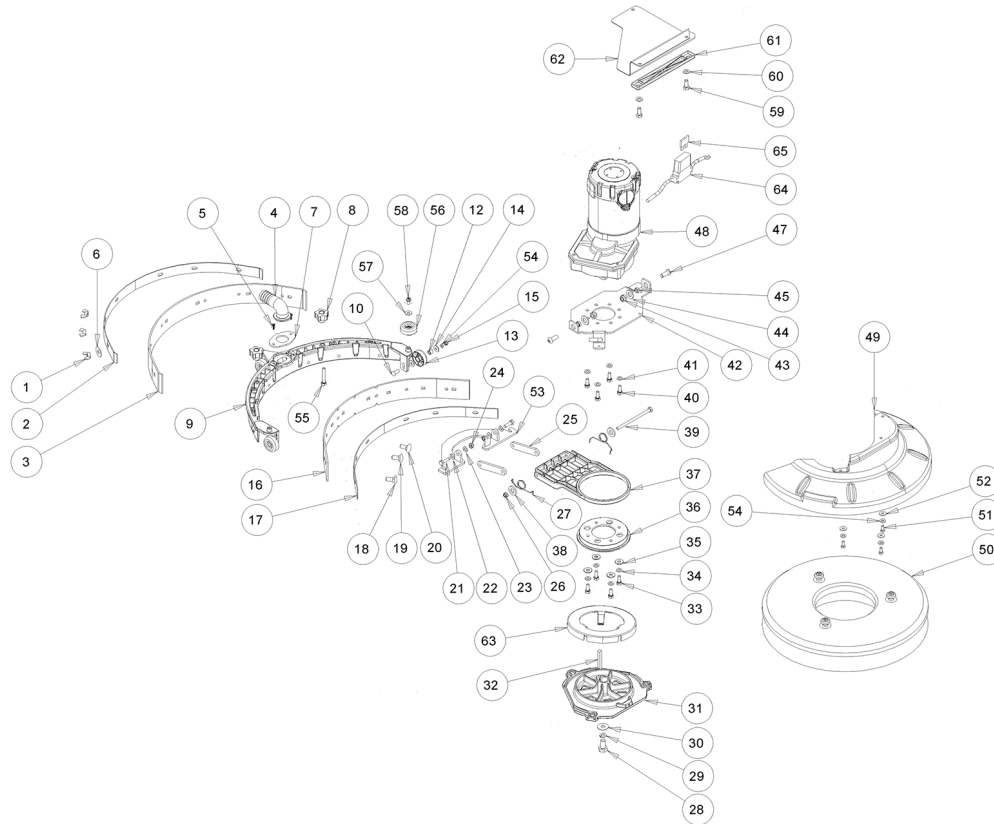


**IPC**

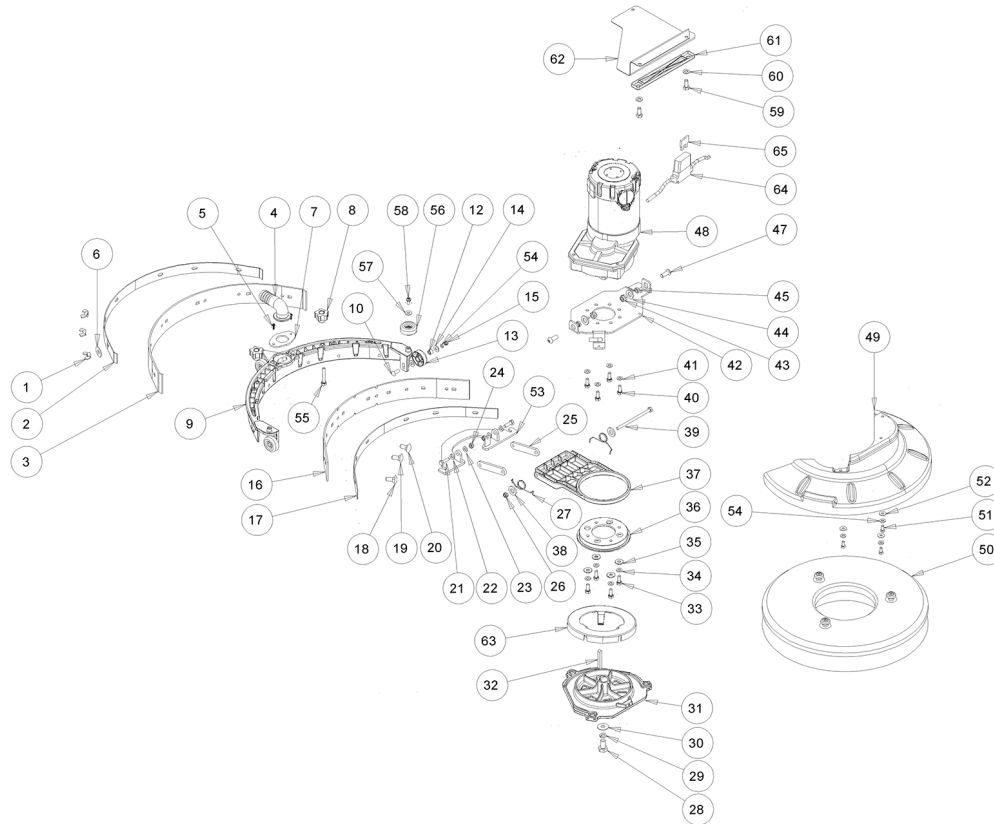
**Spare parts list**

Ref: LPTB02502

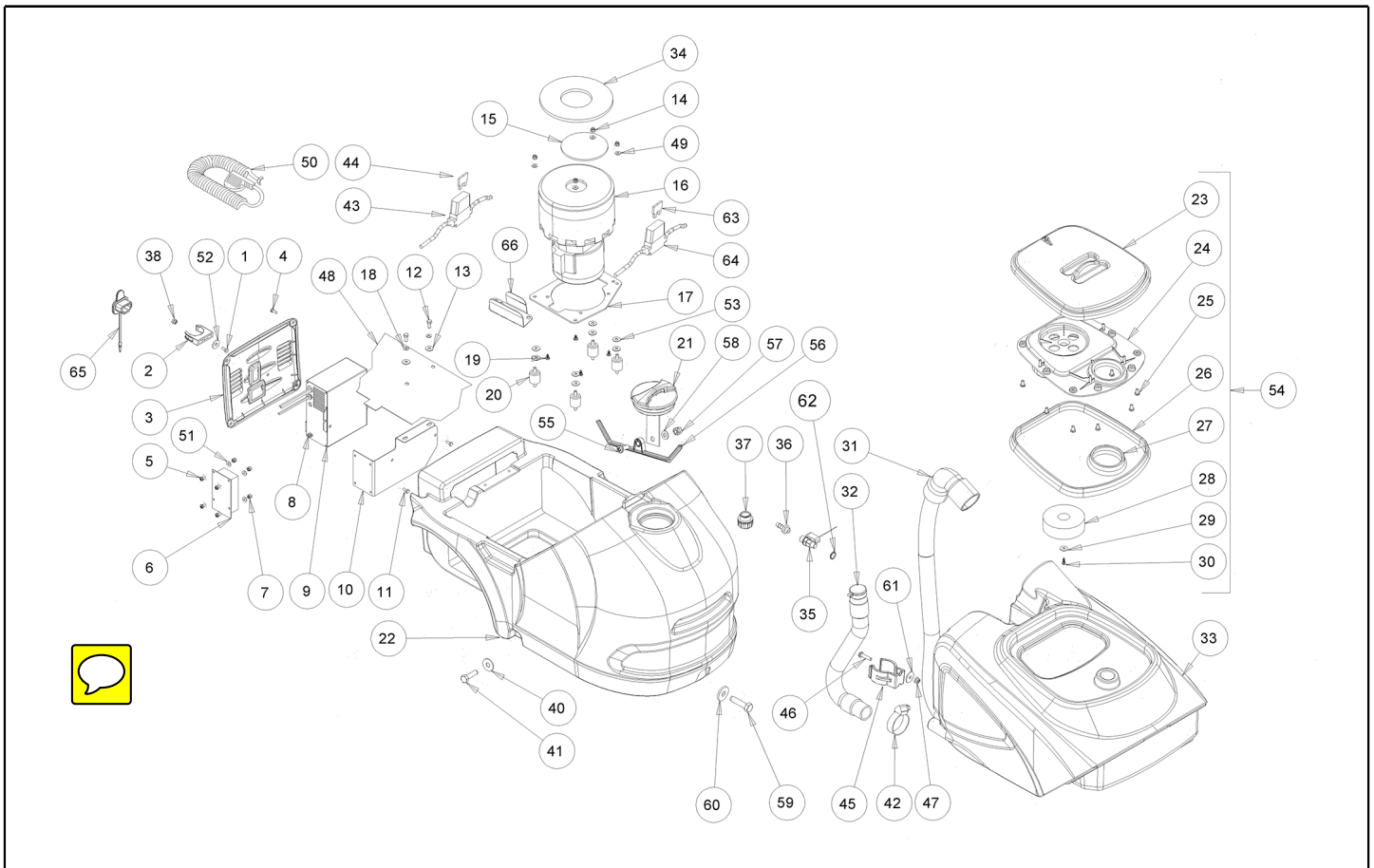
Model: FLOOR WASHER CT15 B35+BAT GR/VE



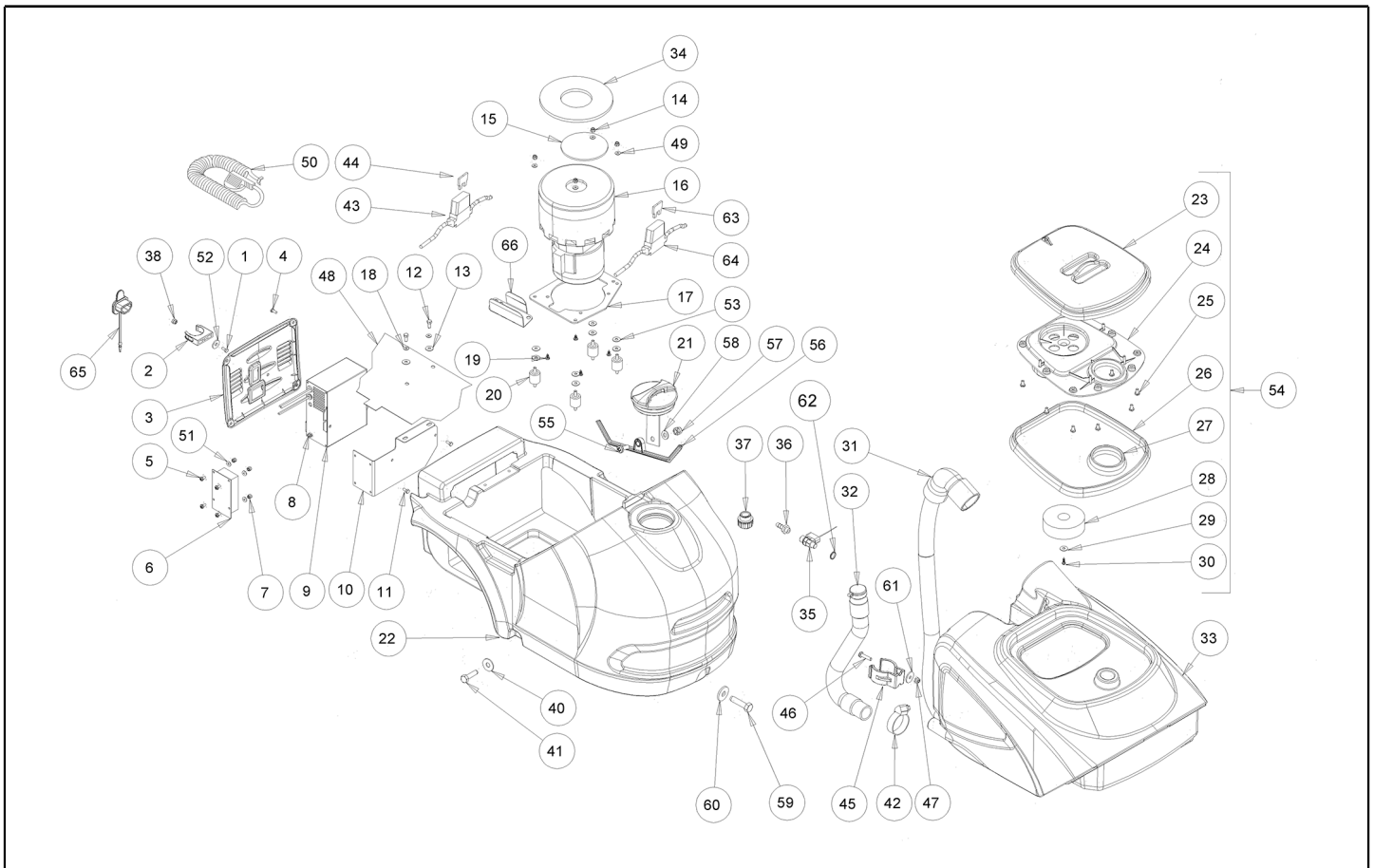
Ref. K	Part n.	Customer part n.	Description	Quantity	Validity		Price
					From	To	
0001	VTDD00522		NUT M5	6,00			--
0002	LAFN08887		BRACKET -	1,00			--
0003	MPVR05918		BLADE SQUEEGEE LATEX REAR CT15	1,00			--
0004	MPVR05831		CONNECTOR ELBOW FITTING CT15-CT30	1,00			--
0005	VTVT48694	SL04371	SCREW TCB TC 5 X12 UNI 9707 TZ	2,00			--
0006	VTRS13750	SL06038	WASHER D. 5X14 INX	6,00			--
0007	LAFN08890		FLANGE -	1,00			--
0008	MPVR05842		SMALL KNOB -	2,00			--
0009	MPVR05835		FLOOR WIPER YELLOW RAL1021	1,00			--
0010	VTVT01693		SCREW M5x20	3,00			--
0012	LAFN08913		BUSHING -	3,00			--
0013	MPVR05832		WHEEL -	3,00			--
0014	VTRS13750	SL06038	WASHER D. 5X14 INX	6,00			--
0015	VTDD07727	SL05016	NUT M 5 INOX	3,00			--
0016	MPVR05917		BLADE SQUEEGEE LATEX FRONT CT15	1,00			--
0017	LAFN08886		BRACKET -	1,00			--
0018	VTVT01690		SCREW M5x25	2,00			--
0019	VTVT01691		SCREW M5x35	2,00			--
0020	VTVT01691		SCREW M5x35	2,00			--
0021	VTVT13939	11051239	SCREW TE 6X20 UNI5739 INX	2,00			--
0022	VTRS00245	SL06022	WASHER D.6 UNI 6592 INOX	2,00			--
0023	VTRS00245	SL06022	WASHER D.6 UNI 6592 INOX	2,00			--
0024	VTDD01694	SL05074	NUT M6 INOX	2,00			--
0025	LAFN08889		ARM -	2,00			--
0026	VTDD01694	SL05074	NUT M6 INOX	1,00			--
0027	MLML00343		SPRING -	2,00	20/02/2015		--
0028	VTVT13938	75362	SCREW TE 8X20 UNI5739 INX	1,00			--
0029	VTRS15146	05519	WASHER D. 8 INX GRW UNI 1751	1,00			--
0030	VTRS13946	SL06025	WASHER D. 8 X24 INX UNI 6593	1,00			--
0031	MFVR00212		DRIVE DISK	1,00			--
0032	VTVR16617		KEY 6X 6X30 UNI 6604	1,00			--
0033	VTVT13939	11051239	SCREW TE 6X20 UNI5739 INX	4,00			--
0034	VTRS15144	11051232	WASHER D. 6 INX GRW UNI 1751	4,00			--
0035	VTRS13945	SL06039	WASHER D. 6X18 INX UNI 6593	4,00			--
0036	MPVR05830		BRACKET -	1,00		19/02/2015	--
0037	MPVR07161		BRACKET -	1,00	20/02/2015		--
0037	MPVR05829		SUPPORT -	1,00		19/02/2015	--
0037	MPVR07158		BODY SIDE SX	1,00	20/02/2015		--
0038	VTRS13945	SL06039	WASHER D. 6X18 INX UNI 6593	2,00	20/02/2015		--
0039	VTVT01692		SCREW M6X125	1,00		21/04/2014	--
0039	VTVT01385		SCREW M6X140	1,00	22/04/2014		--
0040	VTVT15906	SL04180	SCREW TE 6X 12 A2 UNI 5739	4,00			--
0041	VTRS15144	11051232	WASHER D. 6 INX GRW UNI 1751	4,00			--
0042	LAFN08896		PLATE -	1,00			--



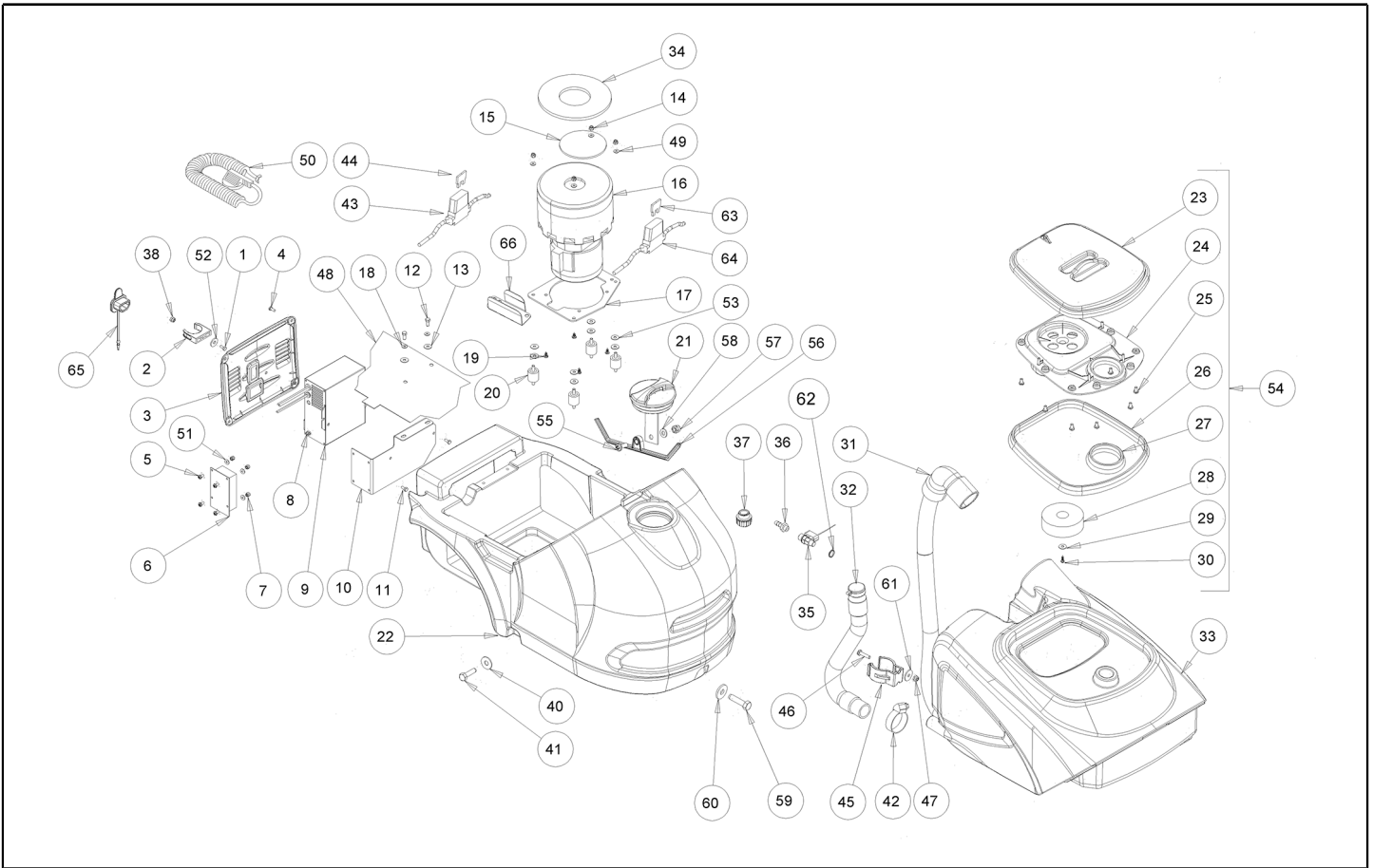
Ref. K	Part n.	Customer part n.	Description	Quantity	Validity		Price
					From	To	
0043	VTDD01695	SL05039	NUT M 8 INX	2,00			--
0044	VTRS13947	75373	WASHER D. 8 INX UNI 6592	2,00			--
0045	LAFN08916		BUSHING -	2,00			--
0047	VTVT13937	11051230	SCREW TE M 8X 30 INX UNI 5739	2,00			--
0048	MOCC00392		MOTOR BRUSH 24V CT15B	1,00			--
0049	MPVR05827		COVER BRUSH HEAD CT15	1,00			--
0050	SPPV01287		BRUSH NYLON CT15 d.350	1,00			--
0051	VTVT01300		SCREW TE M5X12 INOX	3,00			--
0052	VTRS13750	SL06038	WASHER D. 5X14 INX	3,00			--
0053	LAFN08888		SUPPORT -	1,00			--
0054	VTRS15908	SL06094	WASHER D. 5 INX GRW UNI 1751	3,00			--
0055	VTVT15515	SL04261	SCREW TE M 6X 50 INOX A2	2,00			--
0056	MPVR05832		WHEEL -	2,00	01/04/2011		--
0057	VTRS13750	SL06038	WASHER D. 5X14 INX	2,00	01/04/2011		--
0058	VTVT48694	SL04371	SCREW TCB TC 5 X12 UNI 9707 TZ	2,00	01/04/2011		--
0059	VTVT01300		SCREW TE M5X12 INOX	2,00	20/11/2012		--
0060	VTRS13750	SL06038	WASHER D. 5X14 INX	2,00	20/11/2012		--
0061	MPVR06259		BRACKET -	1,00	20/11/2012		--
0062	MPVR06257		COVER -	1,00	20/11/2012		--
0063	MPVR06045		CONVEYOR -	1,00	12/09/2013		--
0064	MECB01271		WIRING	1,00			--
0065	MEVR00327	06907	FUSE 25A	1,00			--



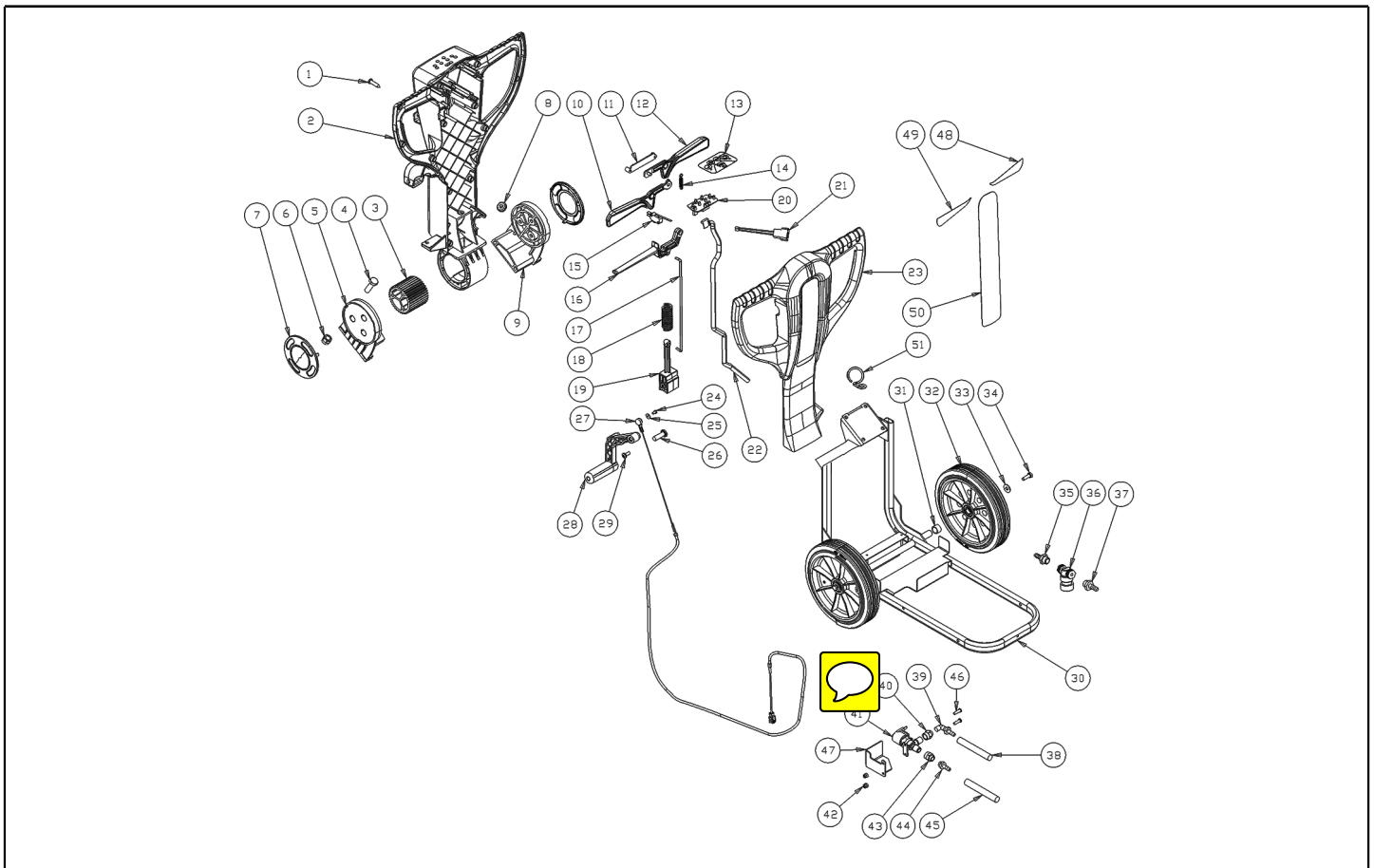
Ref. K	Part n.	Customer part n.	Description	Quantity	Validity		Price
					From	To	
0001	VTVT29884	1105002	SCREW TE UNI 5739 4X16 ZB	1,00		29/02/2012	--
0001	VTVT15924	1105494	SCREW TCTC 4X16 ACCIAIO INOX	1,00	11/09/2014		--
0002	MPVR05841		CLIP -	1,00		29/02/2012	--
0002	MPVR05841		CLIP -	1,00	11/09/2014		--
0003	MPVR05828		COVER BATTERY CHARGER CT15	1,00			--
0004	VTVT75733	1105784	SCREW TBCE ISO 7380 5X12 ZB	4,00			--
0005	VTVT09841		SCREW TE M 4X 10 ZC. UNI 5739	4,00			--
0006	MECE00529		BOARD POWER CT15-CT30	1,00		23/04/2013	--
0006	MECE00578		BOARD POWER CT15-CT30	1,00	24/04/2013	24/09/2015	--
0006	S MECE00606		BOARD POWER CT15-CT30-45	1,00	25/09/2015	05/04/2016	--
0006	MECE00741		BOARD POWER CT45B-BT	1,00	06/04/2016	13/07/2016	--
0006	MECE00742		BOARD POWER CT15-30-45B-BT	1,00	14/07/2016		--
0007	VTDD04368	05090	NUT M 4 ZIN UNI 5588	4,00			--
0008	VTDD04369	75259	NUT M 4 TEF UNI 7473	2,00			--
0009	BACA00152		BATTERY-CHARGER CBHD1 24V 5A	1,00			--
0010	LAFN08893		PLATE -	1,00			--
0011	VTVT09841		SCREW TE M 4X 10 ZC. UNI 5739	2,00			--
0012	VTVT34115	75019	SCREW TE M 5X 10 UNI 5739	2,00			--
0013	VTRS13750	SL06038	WASHER D. 5X14 INX	2,00			--
0014	VTDD07727	SL05016	NUT M 5 INOX	4,00			--
0015	LAFN05830	SL39298	NET FERMA FILTRO INOX	1,00			--
0016	MOCC00397		MOTOR VACUUM CT15-CT30	1,00			--
0016	MEVR05200		CARBON MOTORE ASP.AMET.116599-13	2,00			--
0017	LAFN08894		PLATE -	1,00			--
0018	VTRS08013	05130	WASHER D. 5 GRW	2,00			--
0019	VTVT48694	SL04371	SCREW TCB TC 5 X12 UNI 9707 TZ	4,00			--
0020	ABGO00052		VIBRATION DAMP. -	4,00			--
0021	MPVR05188		CAP SOLUTION TANK	1,00			--
0022	MPVR05824		TANK SOLUTION CT15	1,00			--
0023	MPVR05825		COVER -	1,00			--
0024	MPVR05826		COVER -	1,00			--
0025	VTVT01694		SCREW TCB TC 5 X10 UNI 9707 TZ	8,00			--
0026	GUVR00306		GASKET -	1,00			--
0027	GUVR00307		GASKET -	1,00			--
0028	MPVR05836		FLOATER -	1,00			--
0028	VTDD15925	SL05078	NUT M 4 INX	1,00	11/09/2014		--
0029	VTRS00573		WASHER 30x6x3	1,00			--
0030	VTVT48694	SL04371	SCREW TCB TC 5 X12 UNI 9707 TZ	1,00			--
0031	TBFX00345		TUBE CT15	1,00		23/10/2011	--
0031	KTRI04697		KIT REPLACEMENT TBFX00351	1,00	24/10/2011		--
0032	TBFX00346		TUBE DRAIN RECOVERY TANK CT15	1,00			--
0033	MPVR05823		TANK RECOVERY CT15	1,00			--
0034	GUGO00444		GASKET -	1,00		25/10/2016	--
0034	GUGO00498		GASKET	1,00	26/10/2016		--



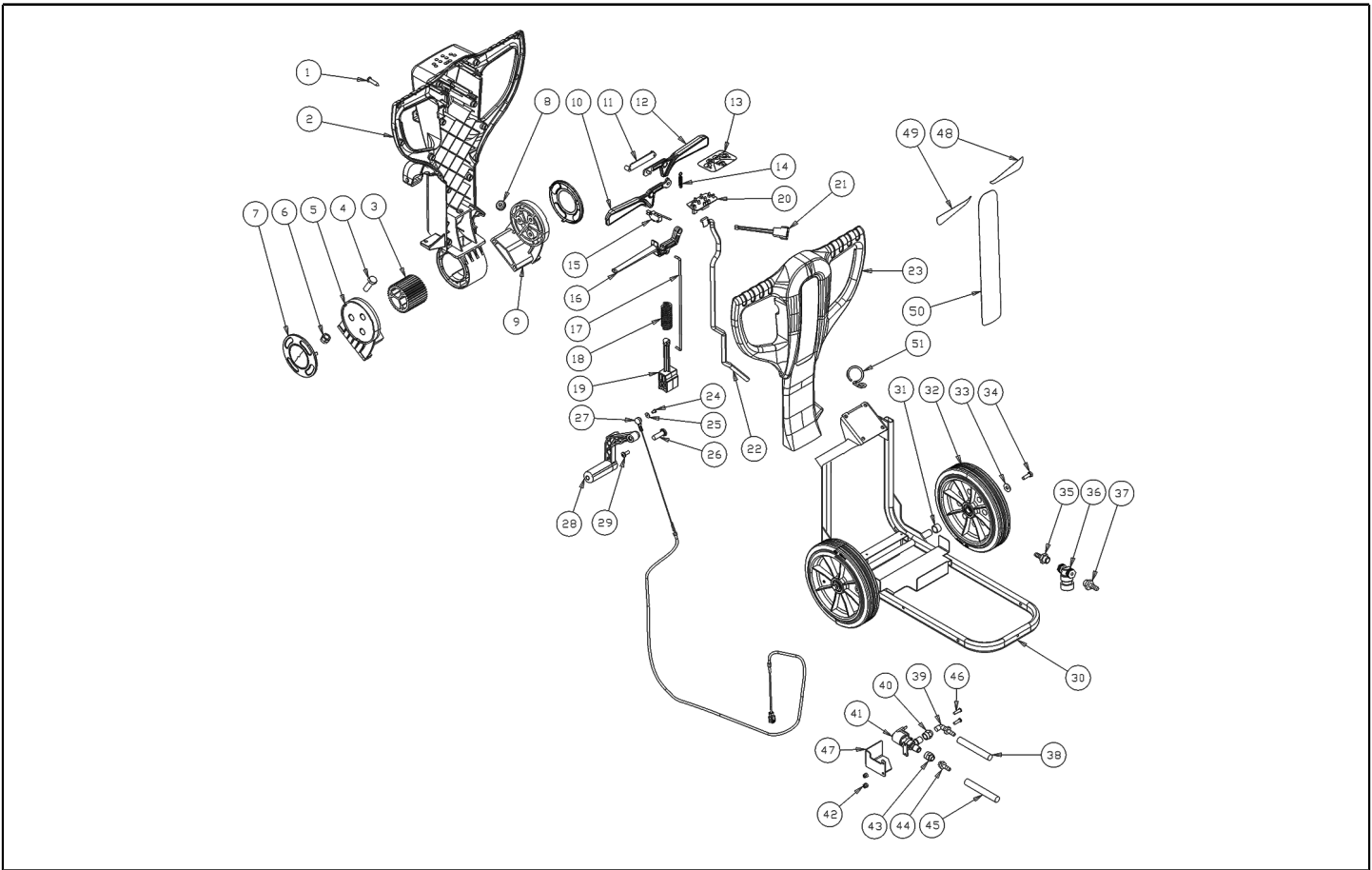
Ref. K	Part n.	Customer part n.	Description	Quantity	Validity		Price
					From	To	
0035	RCGR00008	1320088	VALVE A SFERA MF 1/8"	1,00			--
0036	RCVR00004	1255003	CONNECTOR PORTAGOMMA 1/8" D.7	1,00			--
0037	MPVR08003		CAP	1,00		02/11/2016	--
0037	MPVR10774		CAP 1/2"	1,00	03/11/2016		--
0038	VTDD04369	75259	NUT M 4 TEF UNI 7473	1,00		29/02/2012	--
0040	VTRS13750	SL06038	WASHER D. 5X14 INX	3,00			--
0041	VTVT01376		SCREW TE M 5X 35 UNI 5739	3,00			--
0042	FSVR00002	1500003	CLAMP EKOFLEX 9 23-35	1,00			--
0043	MECB01272		WIRING FUSE HOLDER CT15 BATTERY	1,00			--
0044	MEVR01136	SL23148	FUSE 30A	1,00			--
0045	MPVR05841		CLIP -	1,00		29/02/2012	--
0045	MPVR05996		CLIP -	1,00	01/03/2012	26/06/2014	--
0045	MPVR05841		CLIP -	1,00	27/06/2014	09/11/2014	--
0045	MPVR06412		SUPPORT -	1,00	10/11/2014		--
0046	VTVT00727	SL04189	SCREW TE M. 4-20	1,00		29/02/2012	--
0046	VTVT29884	1105002	SCREW TE UNI 5739 4X16 ZB	1,00	01/03/2012	26/06/2014	--
0046	VTVT00727	SL04189	SCREW TE M. 4-20	1,00	27/06/2014	09/11/2014	--
0046	VTVT00863	SL04382	SCREW	2,00	10/11/2014		--
0047	VTDD04369	75259	NUT M 4 TEF UNI 7473	2,00			--
0048	MPVR05907		PROTECTION	1,00			--
0049	VTRS15908	SL06094	WASHER D. 5 INX GRW UNI 1751	4,00			--
0050	MECB00923		EXTENSION AWG18 US PLUG	1,00			--
0051	VTRS00377		WASHER M4	4,00			--
0052	VTRS05904	1105807	WASHER UNI 6592 4X16 ZB	1,00		29/02/2012	--
0052	VTRS00251	SL06031	WASHER 4-16 INOX A2	1,00	11/09/2014		--
0053	VTRS13750	SL06038	WASHER D. 5X14 INX	8,00			--
0054	KTRI01989		CT15 DIRTY WATER TOP LID	1,00			--
0055	VTVT15965	SL04346	SCREW TCB-TC 4X12 UNI7687 INX	1,00			--
0056	MPVR08038		PLATE CT15-30	1,00			--
0057	VTDD00055	75289	NUT M 4 ATB A2	1,00			--
0058	VTRS00515	SL06032	WASHER D. 4 INX	1,00			--
0059	VTVT01376		SCREW TE M 5X 35 UNI 5739	1,00			--
0060	VTRS13750	SL06038	WASHER D. 5X14 INX	1,00			--
0061	VTRS05904	1105807	WASHER UNI 6592 4X16 ZB	2,00	10/11/2014		--
0062	GUGO03500	1160049	O-RING D. 6.75 X 1.78 NBR 70SH	1,00	14/04/2015		--
0063	MEVR00039	1380017	FUSE LAMELLARE 20A	1,00			--
0064	MECB01271		WIRING	1,00			--
0065	MPVR10801		CAP IEC	1,00	11/01/2017		--
0066	LAFN11082		BRACKET -	1,00	11/01/2017		--



Ref. Part n.	Cust. part n.	Description	Reference	Price
KTRI04748		KIT NEW PCB CT15B AND CT15ECS	0006	--

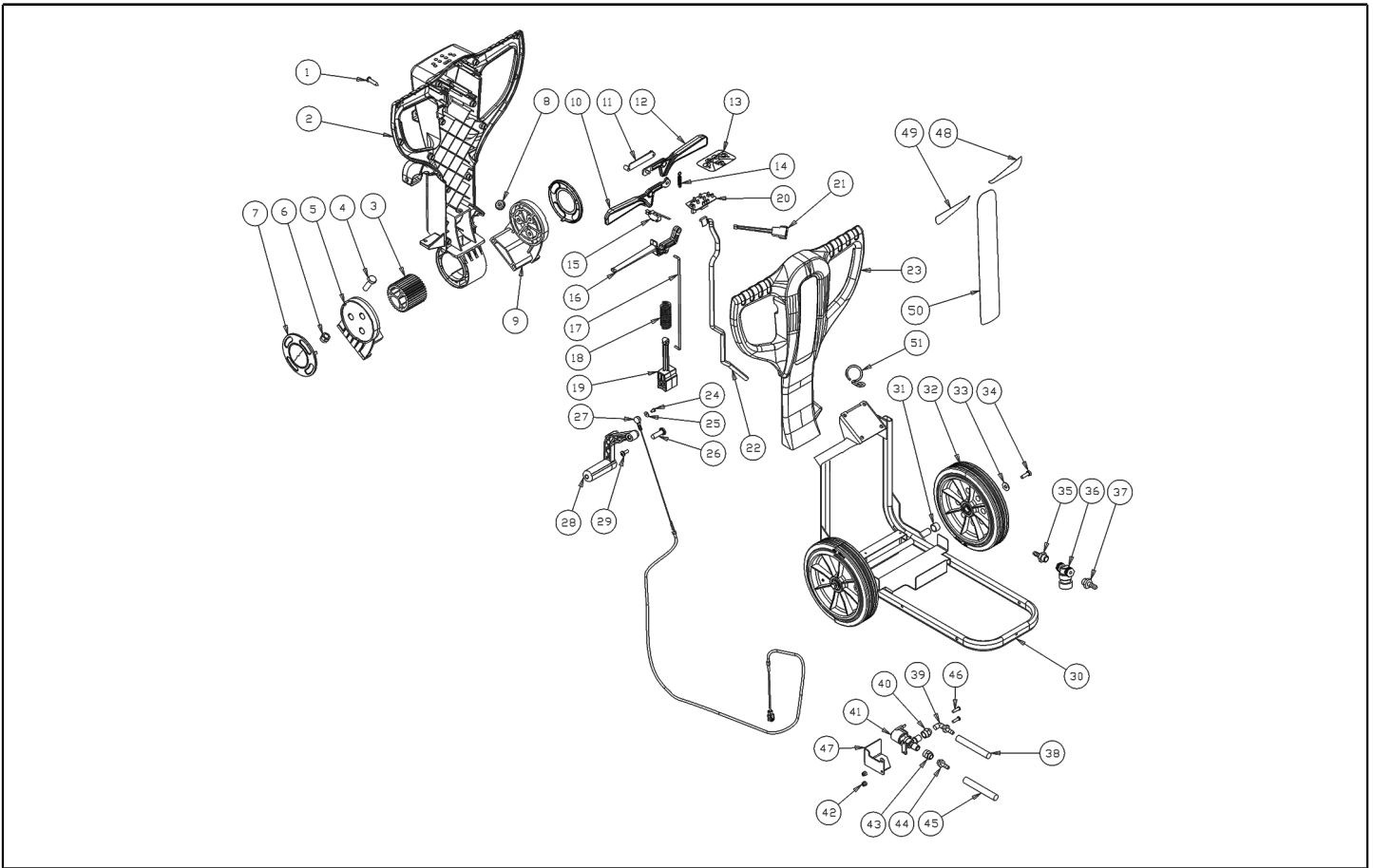


Ref. K	Part n.	Customer part n.	Description	Quantity	Validity		Price
					From	To	
0001	VTVT01371		SCREW 4,8X19	14,00			--
0002	MPVR06047		CRANKCASE -	1,00			--
0003	MPVR06056		GEAR -	1,00			--
0004	VTVT75724	1105231	SCREW TBCE ISO 7380 8X22 ZB	4,00			--
0005	MPVR06053		SHELL DX	1,00			--
0006	VTDD00124	SL05001	NUT M 8 BASSO	4,00			--
0007	MPVR06055		COVER -	2,00			--
0008	MPVR06057		FAIR-LEAD -	1,00			--
0009	MPVR06054		SHELL SX	1,00			--
0010	MPVR06049		LEVER DX	1,00			--
0011	MPVR06298		SUPPORT ELECTRONIC CARD	1,00			--
0012	MPVR06048		LEVER SX	1,00			--
0013	ETET01780		LABEL -	1,00		24/09/2015	--
0013	ETET01842		LABEL -	1,00	25/09/2015		--
0014	MLML00336		SPRING -	1,00			--
0015	MECI36393	SL23109	MICROSWITCH TRZ. DRW	1,00			--
0016	MPVR06050		LEVER ADJUSTMENT	1,00			--
0017	LAFN09221		LEVER RINVIO	1,00			--
0018	MLML00337		SPRING -	1,00			--
0019	MPVR06052		HANDLE SUPPORT	1,00			--
0020	MECE00528		BOARD CT15	1,00		24/09/2015	--
0020	S MECE00605		BOARD LOGIC CT30 24V	1,00	25/09/2015		--
0021	MECB01324		WIRING PUSH BOTTON CT45 C	1,00			--
0022	MECB01257		CABLE RIBBON CT15	1,00		25/11/2015	--
0022	MECB01396		WIRING	1,00	26/11/2015		--
0023	MPVR06046		CRANKCASE NEW HANDLE FRONT 15-30-45	1,00			--
0024	VTVT00800	SL04303	SCREW TC 4X12 ZN	1,00			--
0025	VTRS00251	SL06031	WASHER 4-16 INOX A2	1,00			--
0026	LAFN09248		PIN -	1,00			--
0027	CMCV00463		CABLE LIFTING SQUEEGEE CT15-30	1,00			--
0028	MPVR49942	SL17614	LEVER SQUEEGEE LIFTING PP	1,00			--
0029	VTVT00796		SCREW TC 6X12	1,00			--
0030	LAFN08895		FRAME -	1,00			--
0031	LAFN08915		BUSHING -	2,00			--
0032	RTRT00537		WHEEL GRAY d.250 CT15-30-45	2,00			--
0033	VTRS00512	RS01113	WASHER D. 8 X24 ZC.	2,00			--
0034	VTVT01110	05000	SCREW TE 8X16 UNI5739	2,00			--
0035	RCVR00780		HOSE FITTING 1/4"	1,00		19/05/2013	--
0035	RCVR00786		CONNECTOR -	1,00	20/05/2013		--
0036	FTAC00044		FILTER CT15-CT30	1,00			--
0037	RCVR00780		HOSE FITTING 1/4"	1,00		19/05/2013	--
0037	RCVR00786		CONNECTOR -	1,00	20/05/2013		--
0038	TBBP00482		TUBE -	1,00			--
0039	RCVR00084	1255062	CONNECTOR A "L"	1,00		19/01/2014	--



Ref. K	Part n.	Customer part n.	Description	Quantity	Validity		Price
					From	To	
0039	RCVR00004	1255003	CONNECTOR PORTAGOMMA 1/8" D.7	1,00	20/01/2014		--
0040	RCDS00045		CONNECTOR -	1,00			--
0041	PMVR01883		SOLENOID VALVE CT15	1,00			--
0042	VTVT48694	SL04371	SCREW TCB TC 5 X12 UNI 9707 TZ	2,00		30/06/2013	--
0042	VTDD00055	75289	NUT M 4 ATB A2	2,00	01/07/2013		--
0043	RCDS00045		CONNECTOR -	1,00			--
0044	RCVR00004	1255003	CONNECTOR PORTAGOMMA 1/8" D.7	1,00			--
0045	TBBP00483		TUBE -	1,00			--
0046	VTVT15924	1105494	SCREW TCTC 4X16 ACCIAIO INOX	2,00	01/07/2013		--
0047	LAFN07948		PROTECTION ELETTRICALE	1,00	01/07/2013		--
0048	ETET01770		LABEL CT15 GREEN	1,00			--
0048	ETET01775		LABEL CT15 BLUE	1,00			--
0048	ETET01773		LABEL CT15 RED	1,00			--
0049	ETET01770		LABEL CT15 GREEN	1,00			--
0049	ETET01775		LABEL CT15 BLUE	1,00			--
0049	ETET01773		LABEL CT15 RED	1,00			--
0050	ETET01769		LABEL CT15 GREEN	1,00			--
0050	ETET01774		LABEL CT15 BLUE	1,00			--
0050	ETET01772		LABEL CT15 RED	1,00			--
0051	LAFN11049		HOOK -	1,00	15/04/2016		--





Ref. Part n.	Cust. part n.	Description	Reference	Price
KTRI04748		KIT NEW PCB CT15B AND CT15ECS	0020	--