



LGR 6000Li Owner's Manual

© 2023 Legend Brands, Inc.
Legend Brands, Inc.



1. Owner's Manual	4
1.1 Product Introduction	5
1.2 Safety Warnings	6
1.3 Warranty and Registration	8
1.4 Controls and Operating	9
1.5 Command Hub	11
1.6 Errors and Warnings	13
1.7 At the End of the Job	15
1.8 Transport and Storage	16
1.9 Maintenance Schedule	17
1.10 Troubleshooting	20
1.11 Specifications	21
1.12 Accessories Included	22
1.13 Additional Product Information	23
1.14 Service Technicians Only	24
2. Manual de instrucciones	27
2.1 Introducción del producto	28
2.2 Advertencias de seguridad	29
2.3 Registro de la garantía	31
2.4 Controles y Instrucciones de Operación	32
2.5 Cómo usar el Command Hub	34
2.6 Errores y Advertencias	36
2.7 Al final de la operación	38
2.8 Transporte y Almacenamiento	39
2.9 Programa de mantenimiento	40
2.10 Solucion de problemas	43
2.11 Especificaciones	45
2.12 Piezas incluidas	47
2.13 Información Adicional	48
2.14 Solo para técnicos del servicio	49
3. Manuel du propriétaire	52
3.1 Présentation du Produit	53
3.2 Avertissements de Sécurité	54



3.3	Garantie et Enregistrement	56
3.4	Commandes et Mode d'emploi	57
3.5	Command Hub	59
3.6	Erreurs et Avertissements	61
3.7	À la Fin du Travail	63
3.8	Transport et Stockage	64
3.9	Programme d'entretien	65
3.10	Dépannage	68
3.11	Spécification	69
3.12	Pièces Incluses	70
3.13	Informations Supplémentaires	71
3.14	Pour les techniciens d'entretien seulement	72
Index		0

1 Owner's Manual

LGR 6000Li PORTABLE DEHUMIDIFIER

Model 103614 (F600)

Legend Brands, Inc.

15180 Josh Wilson Road, Burlington, WA 98233

Phone: 800-932-3030

LegendBrands.com

Patents: *LBpatents.com*

© 2023 Legend Brands, Inc.





1.1 Product Introduction

The Legend Brands® LGR 6000Li dehumidifier reduces humidity in enclosed environments by removing water vapor from the air. The 6000Li is rugged, durable and highly portable, making it ideal for water damage restoration, structural drying, and other applications requiring temporary, high-performance dehumidification.

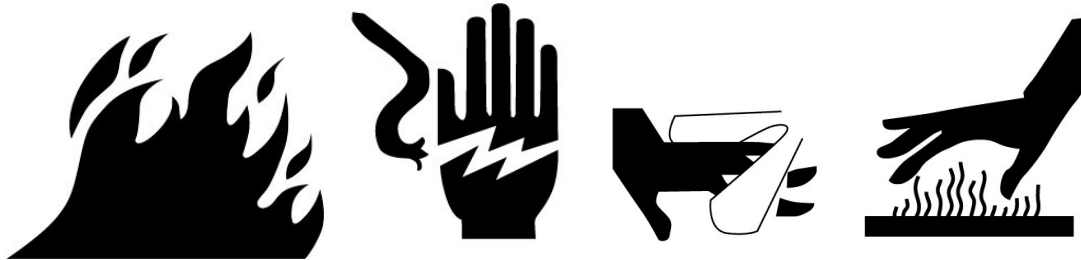
1.2 Safety Warnings

READ AND UNDERSTAND BEFORE OPERATING

SAFETY INSTRUCTIONS

WARNING

WARNING! Do not alter or modify your unit in any way. Use only replacement parts authorized by Legend Brands, Inc. Modifications or use of unapproved parts could create a hazard and will void your warranty. Contact your authorized distributor for assistance.



WARNING! Explosion or combustion hazard due to flammable refrigerant.

- Do not drill into or braze the dehumidifier.
- Do not attempt to service the refrigeration system! Only authorized service center personnel should service or decommission the refrigeration system.
- Be aware that refrigerant gases can be odorless.

WARNING! Electric shock hazard, rotating fan, hot surface hazards. Unplug unit before opening cover for cleaning or servicing. Unit must be grounded.

- Inspect the power cord before use. If cord is damaged, do not use. Always grasp the plug (not the cord) to unplug.
- Insert three-prong plug on power cord into a matching electrically grounded outlet. Do not use adapter. Never cut off third prong. Do not use an extension cord.
- The unit must be operated on a 115V/60Hz circuit protected by a Ground Fault Circuit Interrupter (GFCI) device.
- Keep motor and wiring dry.
- Do not attempt to repair the unit. For Authorized Service Centers, contact Dri Eaz.

NOTICE: Do not use in environments where corrosive chemicals are present, such as chlorine.

NOTICE: The unit should not be used by persons (including children) with reduced



physical, sensory or mental capabilities, or lack of experience and knowledge, unless they are given supervision or instruction. Children should not be allowed to play with the unit.

For proper disposal, this unit should be taken to a recycling entity authorized to process refrigeration equipment.

⚠ WARNING: This product may expose you to chemicals, including lead and phthalates, known to the State of California to cause cancer, birth defects, or other reproductive harm. For more information, go to www.P65Warnings.ca.gov

CONTAINS: FCC ID 2ADHKWINC3400; IC 20266-ATWINC3400; CAN-ICES-003(B)/MB-003(B)



1.3 Warranty and Registration

Visit LegendBrands.com to register your purchase. Registration allows us to better assist you with using, maintaining or servicing your equipment and to contact you in case we have important safety information concerning your Dri-Eaz product. If you determine service is required, have your equipment model, serial number and original proof of purchase available and call your distributor for assistance with obtaining a return material authorization (RMA).



1.4 Controls and Operating

SET UNIT UPRIGHT

NOTICE: Transporting or storing the unit in a horizontal position is not recommended. When the machine is placed in a horizontal position, the oil from the compressor can flow into the refrigerant coils and reduce the ability of the dehumidifier to function and possibly damage the unit. If the unit has been placed in a horizontal position, set it upright and let it stand for at least 30 minutes before turning it on.

POSITIONING A DEHUMIDIFIER

For best results, operate your dehumidifiers in an enclosed area. Close all doors and windows that open to the outside to maximize water removal efficiency. Place your dehumidifier away from obstructions, and keep it away from anything that could block airflow into and out of the unit.

EXTEND HANDLE

Release the handle by rotating red locking lever outward, then lift handle up into place. Rotate red lever back into locked position to secure handle in operating position.

NOTICE: Do not use the extended handle to lift the unit off the ground horizontally. Do not use the extended handle as an attachment point to strap the unit in a vehicle for transport. These uses will place undue strain on the handle attachment points in the housing.

SET UP DRAIN HOSE

This unit automatically pumps out water on a regular basis. This dehumidifier is equipped with a quick-connect fitting for attachment to the provided drain hose located in the tray on top of the unit. Unwrap the entire hose and place the open end in a sink, drain, bucket or outdoors – anywhere that water can drain out safely. If you use a bucket or other container for water collection, check it regularly to prevent overflows.

NOTICE: Uncoil and straighten the entire drain hose. Do not leave any part of the hose coiled and do not place the end of the hose higher than 20 ft. (6 m) above the bottom of the unit. Also check for kinks or other obstructions that might restrict the flow of water. A kink or blockage will cause the unit to turn off produce an error message.

PLUG IN ELECTRICAL CORD

The dehumidifier should be plugged into a should be plugged into a GFCI-protected

115 volt outlet rated for at least 15 amps.

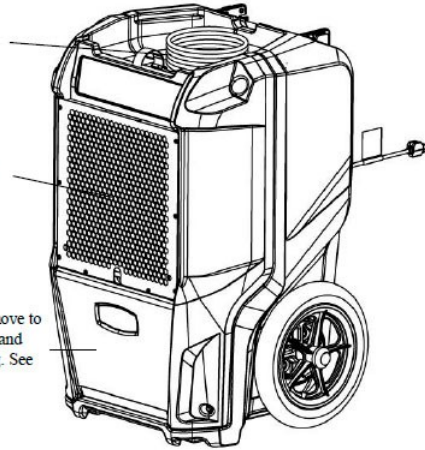
FIG A: PARTS IDENTIFICATION

FRONT

Drain hose storage.

Humid air inlet.
Air filter.

Front panel. Remove to access the pump and coils for cleaning. See Fig. B.



REAR

Integrated handle. Use the red lever to lock handle upright for use or down for loading or storage.

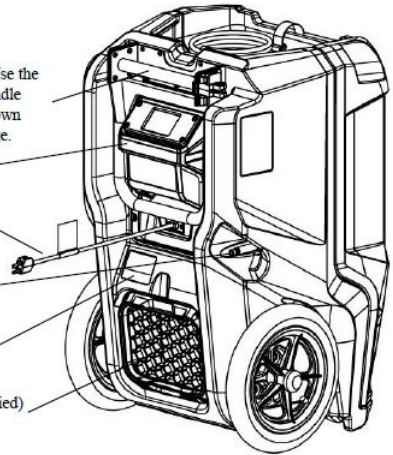
Control panel.

Power cord.

Drain hose quick-connect.

Model serial number label

Process (dehumidified) air outlet.



1.5 Command Hub

HOW TO USE THE COMMAND HUB


The i-Series Command Hub provides comprehensive dehumidifier controls and detailed real-time data about the drying environment as well as job hours, self-diagnosis messages, maintenance reminders and operating status.


For detailed information and additional instructions, please visit the Command Hub page at LegendBrands.com


HOME SCREEN VIEWS

Unit OFF
Unit must be plugged in.

Top display bar:
Job hours, current time

Press  MENU to access settings and configuration controls




Press  PURGE to pump out condensate tank

Press  ON/OFF to turn unit on.

Job 0.0h Thu Sep 17 2:27 PM

Inlet	Outlet
--	--
--	--

OFF







Unit ON
Press ON/OFF key to switch unit on.


Top display bar:
Job hours, current time

Information display:
Inlet/Outlet temp, %RH and GPP
Current GPP removal

Bottom menu bar:

 Quick-Reference Inlet GPP.
1: < 60 GPP; 2: 60–90 GPP; 3: > 90 GPP





Press  MENU to access settings and configuration controls

Press  PURGE to pump out condensate tank

Job 0.0h Thu Sep 17 2:27 PM

Inlet	Outlet
80.0°F 60%	107.1°F 48%
91 GPP	67 GPP

Δ24 GPP



Press  ON/OFF to turn unit off.



1.6 Errors and Warnings

If the control system detects a problem, it will display an "Alert" symbol in the upper right corner of the screen. Press ON/OFF to view the message and OK to clear the message. NOTE: In the case of an error, the unit will not operate until the problem is resolved. Refer to the explanations and solutions shown below. If these solutions do not fix the problem, contact your local authorized service center for further assistance.



CONTROL PANEL MESSAGE	EXPLANATION AND SOLUTION
ER4 Error Defrost Thermistor Connect —or— ER4 Error Outlet Thermistor Connect	Temp sensor is open, missing, or shorted. Check that temp sensors are installed correctly on control panel. If error persists, contact service.
ER5 Error Inlet RH1 Temp/RH Sensor	Inlet Temp/RH sensor is open, missing, or shorted. Check that inlet temp/RH sensor is installed correctly on control panel and inlet shroud. If error persists, contact service.
ER6 Error Current Sensor Failure	Current sensor failure. If error persists, contact service.
ER9 Error Pump Blocked	Check for obstructions in drain hose. Check the pump.
W1 Low BATTERY	Replace coin cell battery (3V, CR2032) on control panel.
W2 BLE Error W3 Flash Reset W4 WDT Reset	Cycle power to dehumidifier. If warning persists, contact service.



1.7 At the End of the Job

To reduce the possibility of drips when moving the unit, follow these additional steps to ensure that all water is removed from the unit.

NOTICE: The unit will complete the defrost cycle even if the unit is turned off but still plugged in. If the unit is unplugged during the defrost cycle, excessive water may accumulate in the unit and may drip out when you move the unit.

NOTICE: To ensure the condensate tank empties completely while purging, make sure the unit is placed upright on a horizontal surface.

- 1. Do not turn unit off or move it until it has finished the purge cycle.**
- 2. Gently rock the machine to ensure any water remaining on interior surfaces falls into the sump area.**
- 3. Press the PURGE key once again. When the purge cycle is complete, turn the unit off.**
- 4. Remove the external drain hose, drain it carefully, coil it and return it to the storage tray on the top of the unit.**



1.8 Transport and Storage

NOTICE: Before moving, transporting or storing, purge unit and stow hose and power cord as described in the “At the End of the Job” section.

NOTICE: Handle the unit carefully. Do not drop, throw or place the unit where it could fall. Rough treatment can damage the dehumidifier and may create a hazardous condition or void the warranty.

- Do not use or store near ignition sources, combustible gases, electric heaters or open flames.
- Do not expose the control panel to moisture, snow or rain.
- Store and transport securely to avoid any damaging impact to internal parts.
- Secure during transport to prevent sliding and possible injury to vehicle occupants
- Do not transport or store the unit on its front, sides or back. This will help to prevent any remaining moisture from escaping from the unit or flowing into areas outside the pump.



1.9 Maintenance Schedule

See SERVICE VIDEOS at [Legendbrands.com/resources/service-technical-support/](https://www.legendbrands.com/resources/service-technical-support/) for detailed instructions on maintaining this unit.

WARNING! Explosion or combustion hazard due to flammable refrigerant.

- Do not use or store near ignition sources, combustible gases, electric heaters or open flames.
- Do not drill into or braze the dehumidifier.
- Do not attempt to service the refrigeration system! Only authorized service center personnel should service or decommission the refrigeration system.
- Be aware that refrigerant gases can be odorless.

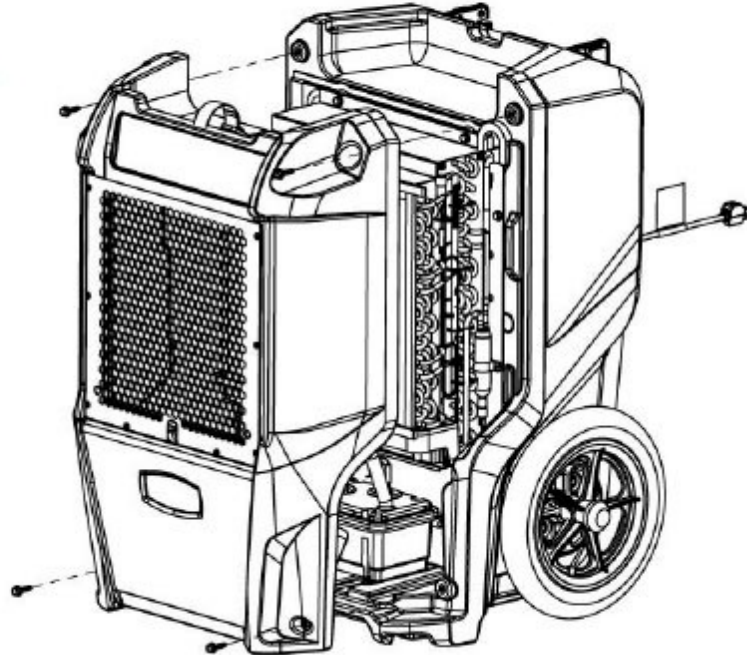
WARNING! ELECTRIC SHOCK HAZARD. Unplug unit before cleaning or servicing.

WARNING: Risk of dust and contaminants exposure. Use of respirator mask and gloves is recommended. If unit has been exposed to potentially dangerous contaminants, clean thoroughly and sanitize before reuse.

NOTICE: The unit is fitted with sensitive electronic sensors. Protect the sensors and their lead wires from damage and do not expose them to water or cleaning solution.

Fig. B: Disassembly for Cleaning

Remove the 4 screws from front housing, and slide off to access coils and pump for service.



The following tools and supplies are needed to complete the maintenance procedures described in this manual:

- Philips screwdriver
- T-20 Torx bit and driver
- 10 mm nutdriver or socket and ratchet and extension
- Cleaning cloths
- HEPA vacuum cleaner with soft brush nozzle and crevice nozzle.

Recommended

Cordless drill, small knife, small-jaw pliers, coil cleaning solution, rotomolded housing cleaning solution.

BEFORE EACH USE

Inspect the electrical cord for damage. Look for fraying, cuts, etc. Replace the cord if you find any damage.

Inspect filter. Replace if accumulation of dust and debris is visible.

NOTICE: Replace used filters only with a new Dri-Eaz filter #100254 (F579) (24-pack). Other filter types do not provide adequate filtration or airflow. Each filter is individually wrapped to protect filtration effectiveness. Remove the wrapper before installing the filter into the dehumidifier.



MONTHLY

Inspect coils. Clean when dust accumulation is visible. In normal use, dust can accumulate and can restrict airflow, reducing performance and causing the unit to overheat.

To maintain appearance, wipe interior and exterior surfaces with a damp cloth. For deep cleaning and a lasting, protective shine, use an automotive interior treatment product.

AS NEEDED

Clean pump check valve and basin. This requires removal of the front housing.

Clean coils. Inspect the horizontal evaporator (cold) coil with the front cover removed. If excessive dust and debris is present, vacuum thoroughly and/or clean with alkaline (non-acidic) coil cleaner.

1.10 Troubleshooting

FAULT	CAUSE	SOLUTION
Water drips out when moving unit	Unit was unplugged before purging was complete.	Purge unit before moving. See AT THE END OF THE JOB ¹⁵ .
Unit does not operate	Unit not switched on. No power to machine.	Switch unit on. Plug in unit; check power cord connection at wall outlet.
Unit operating, but room not dry	Not enough time to dry. Poor air movement in room. Excessive moist air infiltration.	Make sure "Humidistat" is OFF. Allow more time for drying. Increase air movement with air movers. Seal off area to reduce infiltration.
Unit collects too little water	Room air is dry. Room temperature is too low. Filter is clogged. Coils are clogged.	Make sure "Humidistat" is OFF. Confirm humidity level with hygrometer. Increase room temperature. Check filter. Replace as necessary. Check coils. Clean as necessary.
<p><i>If the problem you are experiencing is not listed here, contact our Service Department toll-free at 800-932-3030 for further assistance.</i></p>		



1.11 Specifications

Name	LGR 6000Li 103614 (F600)
Water removal AHAM @80°F/60% RH (26.7°C/60%RH)	100 pts. 47.3 L / day
Water removal saturation @90°F/90% RH (32.2°C/90%RH)	219 pts. 103.6 liters / day
Water removal low grain @80°F/20% RH (26.7°C/20%RH)	9 pts. 4.3 liters / day
Process air (max.)	320 CFM 544 CMH
Max. Oper. Temp.	104°F 40°C
Dimensions (W × H × D)	32.1 × 19.8 × 20.0 in. 81.5 × 50.3 × 50.8 cm
Use Weight (w/ cord & hose)	103 lbs. 46.7 kg
Amps @80°F/60% RH) 26.7°C/60%RH	6.5A
Input Current (104°F/35%RH 40°C/35%RH)	7.8A
Power	115V, 60Hz, 748W
Refrigerant	R32, 0.496 kg (17.5 oz)
Max. use altitude	10,000 ft. 3 km
Operating range	33°F–100°F 1°C–38°C
Noise level (avg.)	53 dB
Drain hose	40 ft. 12.2 m
Power cord	25 ft. 7.6 m
Construction	Rotomolded shell
Safety	Conforms to UL STD 60335-1 & 60335-2-40 Certified to CSA STD. C22.2 NO. 60335-1 & CO335-2-40
<p><i>Specifications are subject to change without notice. Some values may be approximate.</i></p> <p><i>*Fan speed varies automatically for optimized performance.</i></p>	



1.12 Accessories Included

ACCESSORIES INCLUDED

Drain hose: 40 ft. | 12.2 m

Power cord: 25 ft. | 7.6 m

OPTIONAL

Order replacement air filters from your local distributor. Part no. #100254 (F579) (24 pack).



1.13 Additional Product Information

Additional product information and current documentation is available at LegendBrands.com.

Be sure to visit LegendBrands.com and register your purchase. Your registration will help us provide you with updated product information as needed.

For proper disposal, this unit should be taken to a recycler licensed to process refrigeration equipment.

1.14 Service Technicians Only

FOR SERVICE TECHNICIANS ONLY

Required safety procedures for servicing dehumidifiers with R32 refrigerant:

- Survey the area to ensure there are no sources of ignition that may lead to risk of fire and that there are no open flames or other potential ignition sources for refrigerant detection, and that leak detection equipment set to a percentage of the LFL and is calibrated for the refrigerant used.
- Post “no smoking” signs.
- Display component inspection procedures before repair or maintenance to electrical components, including ensuring that capacitors are discharged, that there is bonding continuity, and that no electrical components or wiring are exposed.
- Disconnect the power supply before repair.
- Follow safety procedures for removal and evacuation of refrigerant, purging the circuit with inert gas, opening the circuit by cutting or brazing, and recovering charge into the correct recovery cylinders. If venting is not allowed by national codes, purging the system with oxygen-free nitrogen if the system is to be purged, venting the system to atmospheric pressure if oxygen-free nitrogen charge is used, and ensuring that the outlet for the vacuum pump is not close to any potential ignition sources.

Before decommissioning units containing R32 refrigerant, you must make sure:

- PPE is available and being used correctly and that the technician is completely familiar with the equipment.
- The recovery process is being supervised by a competent person.
- Electrical power is available before decommissioning and isolate the system electronically.
- Refrigerants can be recovered safely, taking an oil and refrigerant sample in case analysis is required prior to reuse of recovered refrigerant.
- Equipment is available for handling refrigerant cylinders if required. Make sure that recovery equipment and cylinders conform to the appropriate standards.
- Only appropriate cylinders (designated for R32 refrigerant and labeled as such) are used for recovery, and that the correct number of cylinders for holding the total charge are available.
- Cylinders are evacuated prior to use.
- Recovery equipment is working and instructions are available.
- Calibrated weighing scales are available, that hoses have leak free disconnect couplings and are in good condition.



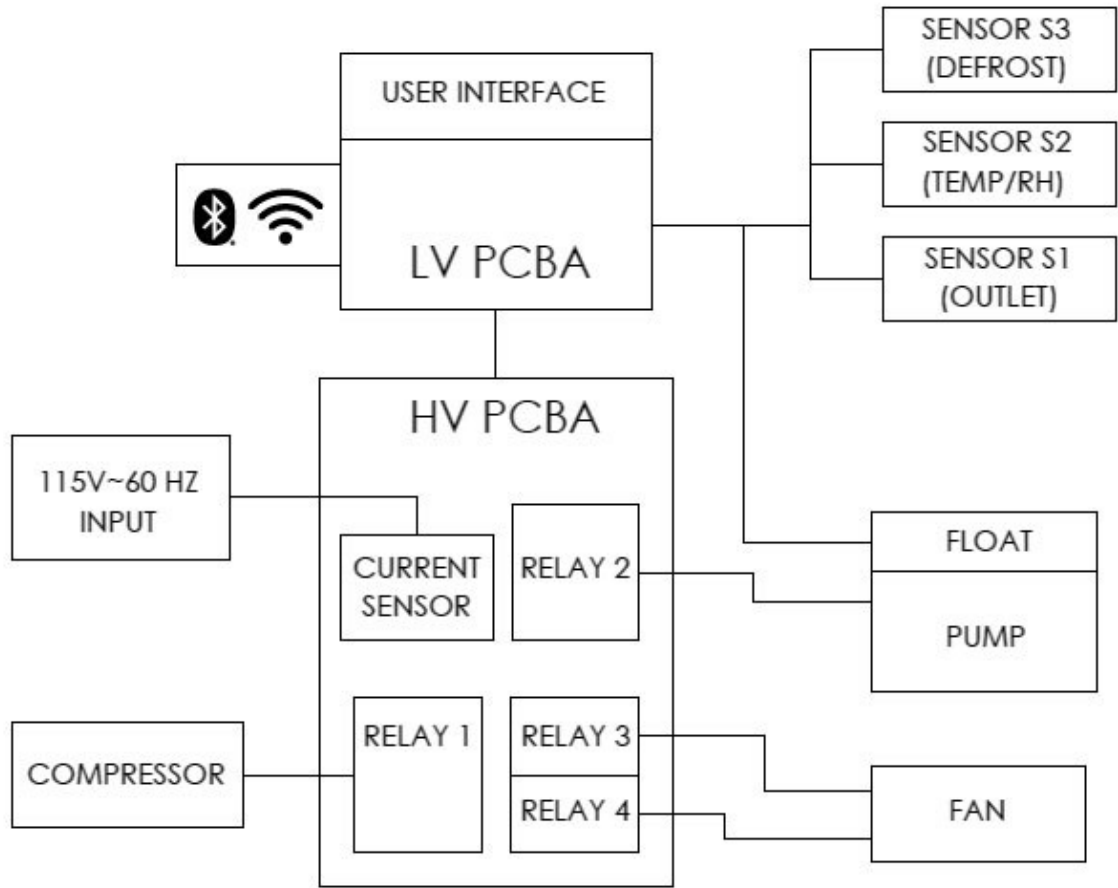
- The recovery machine is working properly and any potential ignition sources are sealed.
- There's not potential for mixing refrigerants in cylinders or recovery units.
- Compressors or compressor oils are properly evacuated if they are to be removed, and evacuating the compressor prior to returning the compressor to the suppliers if it is evacuated.
- Oil is drained out safely if it is to be drained out.

Decommissioning Process

- Pump down the refrigerant system if possible (otherwise making a manifold so that refrigerant can be removed from various parts), making sure that the cylinder is on the scales before recovering refrigerant.
- Operate the recovery machine in accordance with instructions, not filling cylinders to more than 80% liquid volume charge, not exceeding the max working pressure of the cylinders, and making sure that cylinders are filled correctly and removed from site after the process is completed.
- Do not charge recovered refrigerant into another system until it has been cleaned and checked.
- After completion, label the unit to show when it was decommissioned and emptied of refrigerant, that the label must be dated and signed, and ensuring that there are labels on the equipment stating that it contains flammable refrigerant.

DEHUMIDIFIERS WIRING BLOCK DIAGRAM

(For Service Technicians Only)



2 Manual de instrucciones

DESHUMIDIFICADOR PORTÁTIL LGR 6000Li

Modelo #103614 (F600)

Legend Brands, Inc.

15180 Josh Wilson Road, Burlington, WA 98233

Teléfono: 800-932-3030

LegendBrands.com

Patentes: *LBpatents.com*

© 2023 Legend Brands, Inc.





2.1 Introducción del producto

El deshumidificador Dri-Eaz® LGR 6000Li reduce la humedad en ambientes cerrados al eliminar el vapor de agua del aire. El 6000Li es robusto, durable y altamente portátil y es ideal para la restauración tras daños por agua, el secado estructural, la construcción y otras aplicaciones que requieran una deshumidificación temporaria de alto rendimiento.

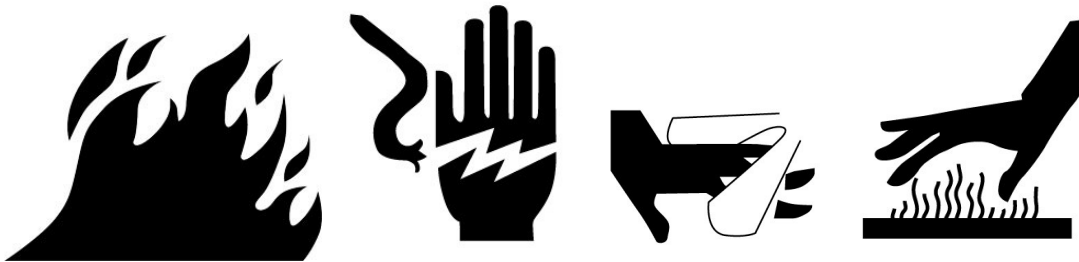
2.2 Advertencias de seguridad

LEA Y GUARDE ESTAS INSTRUCCIONES

INSTRUCCIONES DE SEGURIDAD

⚠ ADVERTENCIA

¡ADVERTENCIA! Peligro de sufrir una descarga eléctrica, lastimarse con el ventilador rotatorio y quemarse con una superficie caliente. Desenchufe la unidad antes de abrir la tapa para limpiarla o hacerle mantenimiento. La unidad debe tener descarga a tierra.



¡ADVERTENCIA! Peligro de explosión o combustión debido a refrigerante inflamable.

- No perforo ni suelde el deshumidificador.
- No intente reparar el sistema de refrigeración. Solo el personal de servicio autorizado debe realizar mantenimiento del sistema de refrigeración.
- Tenga en cuenta que los gases refrigerantes pueden ser inodoros.

¡ADVERTENCIA! Desconecte la unidad antes de limpiarla o darle mantenimiento.


- Apague la unidad y desconéctela antes de levantarla o moverla.
- Maneje la unidad con cuidado. Opere siempre la unidad sobre una superficie estable y nivelada. No la deje caer, no la tire ni la coloque donde pueda caerse. Un trato brusco puede dañar la unidad y puede generar una condición peligrosa o anular la garantía.
- Inspeccione el cable de alimentación antes de utilizar la unidad. Si el cable está dañado, no utilice la unidad. Sujete siempre la clavija (no el cable) para desconectarla.
- La unidad debe operarse en un circuito de 115V/60 Hz protegido por un dispositivo interruptor de circuito por falla en tierra (GFCI, por sus siglas en inglés).
- No intente reparar la unidad. Para consultar una lista de los Centros de Servicio Autorizados, llame al Servicio de Dri-Eaz.



AVISO: No lo utilice en entornos en los que haya sustancias químicas corrosivas, como el cloro.

AVISO: La unidad no debe ser utilizada por personas (incluidos niños) con capacidades físicas, sensoriales o mentales reducidas, o con falta de experiencia y conocimiento, a menos que se les brinde supervisión o instrucción. No se debe permitir que los niños jueguen con la unidad.

Para una eliminación adecuada, esta unidad debe llevarse a una entidad de reciclado autorizada para procesar equipos de refrigeración.

 **ADVERTENCIA:** Este producto puede exponerlo a sustancias químicas entre las que se incluyen plomo y ftalatos, los cuales son considerados en el estado de California como causantes de cáncer, defectos congénitos u otros daños durante la gestación. Para obtener más información, visite www.P65Warnings.ca.gov

CONTIENE: FCC ID 2ADHKWINC3400; IC 20266-ATWINC3400; CAN-ICES-003(B)/MB-003(B)



2.3 Registro de la garantía

Visite [LegendBrands.com](https://www.legendbrands.com) para registrar su compra. El registro nos permite ayudarlo mejor con el uso, mantenimiento o reparación de su equipo y comunicarnos con usted en caso de que tengamos información importante sobre su producto Dri-Eaz. Si determina que se necesita una reparación, tenga su modelo de equipo, número de serie y comprobante original de compra a mano y llame a su distribuidor para obtener asistencia para obtener una autorización de devolución del material (RMA).

2.4 Controles y Instrucciones de Operación

COLOQUE LA UNIDAD EN POSICIÓN VERTICAL

AVISO: No se recomienda transportar o almacenar la unidad en posición horizontal. Si la máquina se coloca en posición horizontal, el aceite del compresor puede fluir hasta las bobinas del refrigerante y reducir la posibilidad de que el deshumidificador funcione y puede dañar la unidad. Si la unidad se ha colocado en posición horizontal, colóquela en posición vertical y déjela quieta al menos 30 minutos antes de encenderla.

DÓNDE COLOCAR EL DESHUMIDIFICADOR

Para obtener mejores resultados, opere su deshumidificador en un área cerrada. Cierre todas las puertas y ventanas para maximizar la eficiencia de eliminación de agua de la unidad. Coloque el deshumidificador lejos de obstrucciones y manténgalo alejado de cualquier objeto que pueda obstruir el flujo de aire hacia y desde la unidad.

EXTIENDA EL MANGO

Desbloquee el mango girando la palanca roja de bloqueo hacia afuera y luego levante el mango hasta que esté en su lugar. Gire la palanca roja hasta la posición de bloqueo para que el mango quede fijo en la posición de funcionamiento.

AVISO: No use el mango extendido para levantar la unidad del suelo de forma horizontal. No use el mango extendido como punto de sujeción para sujetar la unidad a un vehículo para su transporte. Estos usos aplicarán una tensión indebida a los puntos de sujeción del mango en la carcasa.

INSTALE LA MANGUERA DE DRENAJE

Esta unidad bombea automáticamente el agua hacia afuera de forma uniforme. Este deshumidificador está equipado con un accesorio de conexión rápida para su conexión a la manguera de drenaje provista de 40 pies (12 m) ubicado en la bandeja sobre la unidad. Desenrolle la manguera completamente y coloque el extremo abierto en un lavabo, drenaje, cubo o en el exterior: en cualquier lugar donde el agua pueda drenarse de forma segura. Si usa un cubo u otro contenedor para la recolección de agua, compruébelo constantemente para evitar derrames.

AVISO: Desenrolle y enderece toda la manguera de drenaje. No deje ninguna parte de la manguera enrollada en la unidad y no coloque el extremo de la manguera a más de 20 pies (6 m) por encima de la parte inferior de la unidad. Compruebe también que no haya acodaduras u otras obstrucciones que puedan limitar el flujo de agua. Una acodadura o un bloqueo causarán que la unidad se apague y genere un código de error ER9. Consulte los "Mensajes de error" para obtener más información.

ENCHUFE EL CABLE ELÉCTRICO

El deshumidificador se debe enchufar en un tomacorriente de 115 voltios protegido por un GFCI con una clasificación de al menos 15 amperios.

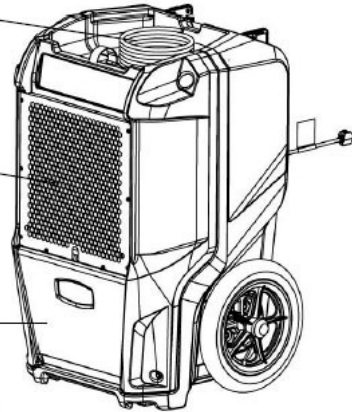
FIG. A: IDENTIFICACIÓN DE PIEZAS

FRENTE

Almacenamiento de la manguera de drenaje.

Entrada de aire húmedo. Filtro de aire.

Panel delantero. Extráigalo para acceder a la bomba y a las bobinas para su limpieza. Vea la Fig. B.



PARTE POSTERIOR

Mango integrado. Use la palanca roja para bloquear el mango en posición vertical para usar o abajo para cargar o almacenar.

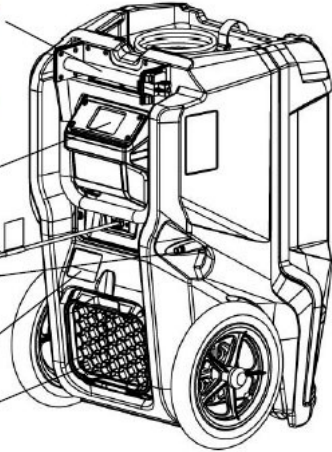
Panel de control.

Cable de alimentación.

Conexión rápida de la manguera de drenaje.

Etiqueta con el número de serie del modelo.

Salida de aire (deshumidificado) tras el proceso.



2.5 Cómo usar el Command Hub


CÓMO USAR EL COMMAND HUB


El Command Hub integrales para deshumidificadores y datos precisos en directo acerca del ambiente que se está deshumidificando, además de las horas de funcionamiento, mensajes de autodiagnóstico, recordatorios de mantenimiento y el estado operativo.


Para obtener información detallada e instrucciones adicionales, visite la página del Command Hub en LegendBrands.com.


VISUALIZACIONES DE LA PANTALLA PRINCIPAL

Unidad APAGADA
La unidad debe estar enchufada.
Barra superior de la pantalla:
 Horas de funcionamiento, hora actual

Presione MENÚ  para acceder a los controles de ajustes y configuraciones


Presione PURGA  para vaciar el tanque de condensado


Presione ENCENDER/APAGAR  para encender la unidad


Trabajo 0.0h
Jue Sep 17 2:27 PM


Entrada	Salida
--	--
--	--


APAGADO









Unidad ENCENDIDA
Presione la tecla ENCENDER/APAGAR para encender la unidad.
Barra superior de la pantalla:
 Horas de funcionamiento, hora actual
 Pantalla de información:
 Temperatura de entrada/salida, % de HR y granos de humedad por libra de aire seco (GPP)


Eliminación de los GPP actuales
Barra inferior del menú:
 GPP de entrada de referencia rápida.
 1: <60 GPP; 2: 60–90 GPP; 3:> 90 GPP


Trabajo 0.0h
Jue Sep 17 2:27 PM



Entrada	Salida
80.0°F 60%	107.1°F 48%
91 GPP	67 GPP

Δ24 GPP









Presione MENÚ  para acceder a los controles de ajustes y configuraciones

Presione PURGA  para vaciar el tanque de condensado

Presione ENCENDER/APAGAR  para apagar la unidad



2.6 Errores y Advertencias

Si el sistema de control detecta un problema, mostrará un símbolo de "Alerta" en la esquina superior derecha de la pantalla. Presione ON / OFF para ver el mensaje y OK para borrar el mensaje. NOTA: En caso de error, la unidad no funcionará hasta que se resuelva el problema. Consulte las explicaciones y soluciones que se muestran a continuación. Si estas soluciones no solucionan el problema, comuníquese con su centro de servicio autorizado local para obtener más ayuda.

MENSAJE DEL PANEL DE CONTROL	EXPLICACIÓN Y SOLUCIÓN
<p>ER4 Error Conexion de Termistor de Descongelar —or— Conexion de Termistor de Salida</p>	<p>El sensor de temperatura está abierto, no está o hay un cortocircuito. Verifique que los sensores de temperatura están instalados correctamente en el panel de control. Si el error continúa, comuníquese con el servicio técnico</p>
<p>ER5 Error Sensor de Entrada RH1 Temp/RH</p>	<p>El sensor de temperatura/humedad relativa de entrada está abierto, no está o hay un cortocircuito. Verifique que el sensor de temperatura/humedad relativa de entrada esté instalado correctamente en el panel de control y la cubierta de entrada. Si el error continúa, comuníquese con el servicio técnico.</p>
<p>ER6 Error Falla de Sensor de Energía</p>	<p>Falla del sensor de corriente. Si el error continúa, comuníquese con el servicio técnico.</p>
<p>ER9 Error Bomba Obstruida</p>	<p>Compruebe que no haya obstrucciones ¿La manguera está acodada debajo de la unidad o aplastada por una rueda? Verifique que no haya bloqueos en la bomba y repare de ser necesario.</p>
<p>W1 Bajo BATERÍA</p>	<p>Reemplace la batería de tipo botón (3V, CR2032) en el panel de control.</p>
<p>W2 BLE Error W3 Reinici Flash W4 WDT</p>	<p>Apague y encienda el deshumidificador. Si la advertencia persiste, comuníquese con el servicio.</p>



2.7 Al final de la operación

Para reducir la posibilidad de goteo al mover la unidad, siga estos pasos adicionales para velar por la extracción de toda el agua de la unidad.

AVISO: La unidad completará el ciclo de descongelamiento incluso si está apagada, pero aún enchufada. Si la unidad se desenchufa durante el ciclo de descongelamiento, puede acumularse una cantidad excesiva de agua en la unidad y puede gotear al mover la unidad.

AVISO: Para que el tanque de condensado esté vaciado por completo tras la purga, vele por colocar la unidad en posición vertical sobre una superficie horizontal.

- 1. No apague ni mueva la unidad hasta que regrese al modo normal de funcionamiento.**
- 2. Agite suavemente la máquina para velar por que el agua que quede en las superficies interiores caiga al área del sumidero.**
- 3. Presione la tecla PURGE (PURGAR). Cuando finalice el ciclo de purga, apague la unidad.**
- 4. Retire la manguera de drenaje externo, vacíela con cuidado, enróllela y vuelva a colocarla en la bandeja de almacenamiento en la parte superior de la unidad.**



2.8 Transporte y Almacenamiento

IMPORTANTE: Antes de mover, transportar o almacenar la unidad, púrguela y almacene la manguera y el cable de alimentación tal como se describe en la sección “Al finalizar el trabajo” más arriba.

AVISO: Maneje la unidad con cuidado. No permita que la unidad se caiga, no la arroje y no la coloque en un lugar donde podría caerse. El tratamiento brusco podría dañar el deshumidificador y puede propiciar una situación peligrosa o anular la garantía.

- No utilice en entornos con gases combustibles, calentadores eléctricos o llamas abiertas.
- No exponga el panel de control a la humedad, la nieve o la lluvia.
- Almacene y transporte de forma segura para evitar impactos dañinos en las partes internas.
- Sujete durante su transporte para prevenir su deslizamiento y posibles lesiones a los ocupantes del vehículo.
- No almacene ni transporte la unidad apoyada sobre el frente, los lados o la parte posterior. Esto ayudará a prevenir que la humedad que quede salga de la unidad o llegue a áreas fuera del sumidero.



2.9 Programa de mantenimiento

Consulte los VIDEOS DE SERVICIO en [Legendbrands.com/resources/service-technical-support/](https://www.legendbrands.com/resources/service-technical-support/) para obtener instrucciones detalladas sobre el mantenimiento de esta unidad.

¡ADVERTENCIA! Peligro de explosión o combustión debido a refrigerante inflamable.

- No utilice en entornos con gases combustibles, calentadores eléctricos o llamas abiertas.
- No perforo ni suelde el deshumidificador.
- No intente reparar el sistema de refrigeración. Solo el personal de servicio autorizado debe realizar mantenimiento del sistema de refrigeración.
- Tenga en cuenta que los gases refrigerantes pueden ser inodoros.

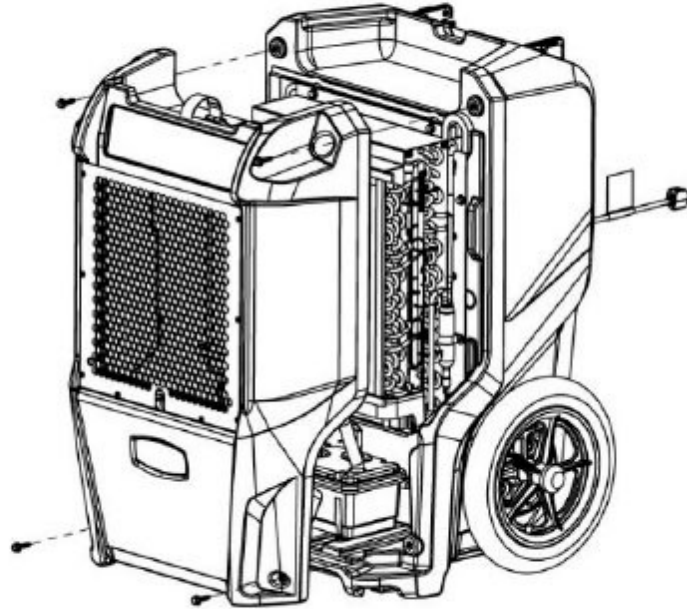
¡ADVERTENCIA! PELIGRO DE DESCARGA ELÉCTRICA. Desconecte la unidad antes de limpiarla o darle mantenimiento.

¡ADVERTENCIA! Riesgo de exposición al polvo y a contaminantes. Se recomienda utilizar una máscara con respirador y guantes. Si la unidad ha estado expuesta a contaminantes potencialmente peligrosos, limpie y desinfecte la unidad a fondo antes de volver a utilizarla.

AVISO: La unidad está equipada con sensores electrónicos sensibles. Proteja los sensores y las puntas de sus cables contra daños y no los exponga al agua ni a la solución de limpieza.

Fig. B: Desensamble para la limpieza

Retire los 4 tornillos de la carcasa delantera, y deslice hacia afuera para acceder a las bobinas ya la bomba para hacer el mantenimiento.



Se necesitan las siguientes herramientas e insumos para completar los procedimientos de mantenimiento que se describen en este manual:

- Destornillador Philips
- Broca T-20 Torx
- Llave para tuercas o llave de cubo y trinquete (10 mm)
- Paños de limpieza
- Aspiradora HEPA con una boquilla con cepillo blando y herramienta para cavidades.

Recomendado

Taladro inalámbrico, cuchillo pequeño, pinzas de punta pequeña, solución limpiadora de bobinas, solución limpiadora de carcasas rotomoldeadas.

ANTES DE CADA USO

Inspeccione el cable eléctrico para detectar daños: busque raeduras, cortes, etc. Reemplace el cable si detecta algún daño.

Inspeccione el filtro: reemplácelo si observa que hay acumulación de polvo y suciedad.

AVISO: Reemplace los filtros usados con un filtro nuevo Dri-Eaz, número de pieza #100254 (F579) (paquete de 24). Otros tipos de filtros no proporcionan filtración o flujo de aire adecuados. Cada filtro se envuelve individualmente para conservar la



eficiencia de la filtración. Quite la envoltura antes de instalar el filtro en el deshumidificador.

MENSUAL

Inspeccione las bobinas. limpie si observa que hay acumulación de polvo. Con un uso normal, el polvo puede acumularse y puede restringir el flujo de aire, lo cual disminuye el rendimiento y provoca el recalentamiento de la unidad.

Para mantener el aspecto: limpie la superficie interior y exterior con un paño húmedo. Para una limpieza profunda y un brillo duradero y de protección, use un tratamiento automotriz en el interior.

SEGÚN SEA NECESARIO

Limpie la válvula de retención de la bomba y el recipiente: Esto exige la extracción de la carcasa del frente.

Limpie las bobinas. inspeccione la bobina evaporadora horizontal (frío) sin la cubierta del frente. Si observa una cantidad excesiva de polvo y suciedad, aspire bien o limpie con un limpiador para bobinas.

2.10 Solucion de problemas

FALLA	CAUSA	SOLUCIÓN
Gotea agua cuando se mueve la unidad	Se desconectó la unidad antes de terminar de purgar.	Purgue la unidad antes de moverla. Vea AL FINAL DE LA OPERACIÓN ³⁸ .
La unidad no funciona	La unidad no está encendida. No hay alimentación a la máquina.	Encienda la unidad. Conecte la unidad, revise la conexión del cable de alimentación en el tomacorriente de la pared.
La unidad funciona, pero la habitación no se seca	El tiempo no es suficiente para el secado. Poco movimiento del aire en la habitación. Infiltración excesiva de aire húmedo.	Permita más tiempo para el secado. Aumente el movimiento del aire con ventiladores. Selle el área para reducir la infiltración.
La unidad recoge muy poca agua	El aire de la sala es seco. La temperatura de la sala es demasiado baja. El filtro está lleno. Las bobinas están obstruidas.	Verifique que "Humidistat" esté apagado. Confirme el nivel de humedad con un higrómetro. Aumente la temperatura de la sala. Examine el filtro. Reemplácelo de ser necesario. Examine las bobinas. Límpielas de ser necesario.
Si el problema que experimenta no está en esta lista, costo de nuestro departamento de servicio al 800-932-3030 para obtener más ayuda.		



2.11 Especificaciones

Modelo	LGR 6000Li 103614 (F600)
Extracción de agua AHAM @80°F/60% RH 26.7°C/60% de humedad relativa	100 pts. 47.3 L / día
Saturación de la extracción de agua @90°F/90% 32.2°C/90% de humedad relativa	219 pintas 103,6 L / día
Extracción de agua de grano bajo @80°F/20% 26.7°C/20% de humedad relativa	9 pintas 4.3 L / día
Aire tratado (máx.)	320 CFM 544 CMH
Máx. Oper. Temp.	104°F 40°C
Dimensiones (altura × ancho × profundidad)	32,1 × 19,8 × 20,0 in 81,5 × 50,3 × 50,8 cm
Peso	103 lbs. 46.7 kg
Amperios @80°F/60% RH 26.7°C/60%RH	6,5 A
Corriente de entrada (104°F/35%RH 40°C/35%RH)	7.8A
Potencia	115V / 60 Hz / 633W
Refrigerante	R32, 0.496 kg (17.5 oz)
Altitud máxima de uso	3 km 10 000 pies
Intervalo de funcionamiento	33 °F–100 °F 1 °C–38 °C
Nivel sonoro (promedio)	53 dB
Manguera de drenaje	40 pies 12,2 m
Cable de alimentación	25 pies 7,6 m
Construcción	Carcasa rotomoldeada
Seguridad	Cumple con UL STD 60335-1 & 60335-2- 40 Certificado para CSA STD. C22.2 NO. 60335-1 & CO335-2-40



Las especificaciones técnicas pueden cambiar sin previo aviso.
Algunos valores pueden ser aproximados.



2.12 Piezas incluidas

PIÈCES INCLUSES

Manguera de drenaje: 40 pies | 12,2 m

Cable de alimentación: 25 pies | 7,6 m

OPTIONAL

Filtro de aire N.º de pieza 100254 (F579) (paquete de 24).



2.13 Información Adicional

Información adicional del producto y documentos actualizados disponibles en [LegendBrands.com](https://www.legendbrands.com).

Vele por visitar [LegendBrands.com](https://www.legendbrands.com) y registrar su compra. Su registro nos ayudará a brindarle información actualizada del producto en función de sus necesidades.

Para desecharla de forma adecuada, esta unidad debe llevarse a un reciclador licenciado que se encargue de equipos de refrigeración.

2.14 Solo para técnicos del servicio

SOLO PARA TÉCNICOS DEL SERVICIO

Procedimientos de seguridad requeridos para el mantenimiento de deshumidificadores con refrigerante R32:

- Inspeccione el área para asegurarse de que no haya fuentes de ignición que puedan provocar riesgo de incendio y que no haya llamas abiertas u otras posibles fuentes de ignición para la detección de refrigerante, y que el equipo de detección de fugas esté configurado en un porcentaje del LFL y se haya calibrado para el refrigerante utilizado.
- Coloque carteles de "Prohibido fumar".
- Muestre los procedimientos de inspección de componentes antes de la reparación o el mantenimiento de los componentes eléctricos, lo que incluye asegurarse de que los condensadores estén descargados, que haya continuidad de unión y que no haya componentes eléctricos o cableado expuestos.
- Desconecte la fuente de alimentación antes de reparar la unidad.
- Siga los procedimientos de seguridad para la extracción y evacuación del refrigerante, purgando el circuito con gas inerte, abriendo el circuito mediante corte o soldadura y recuperando la carga en los cilindros de recuperación correctos. Si los códigos nacionales no permiten la ventilación, se debe purgar el sistema con nitrógeno sin oxígeno si la purga debe realizarse, ventilar el sistema a presión atmosférica si se utiliza carga de nitrógeno sin oxígeno y garantizar que la salida de la bomba de vacío no esté cerca de ninguna fuente de ignición potencial.

Antes de retirar del servicio activo las unidades que contienen refrigerante R32, debe asegurarse de lo siguiente:

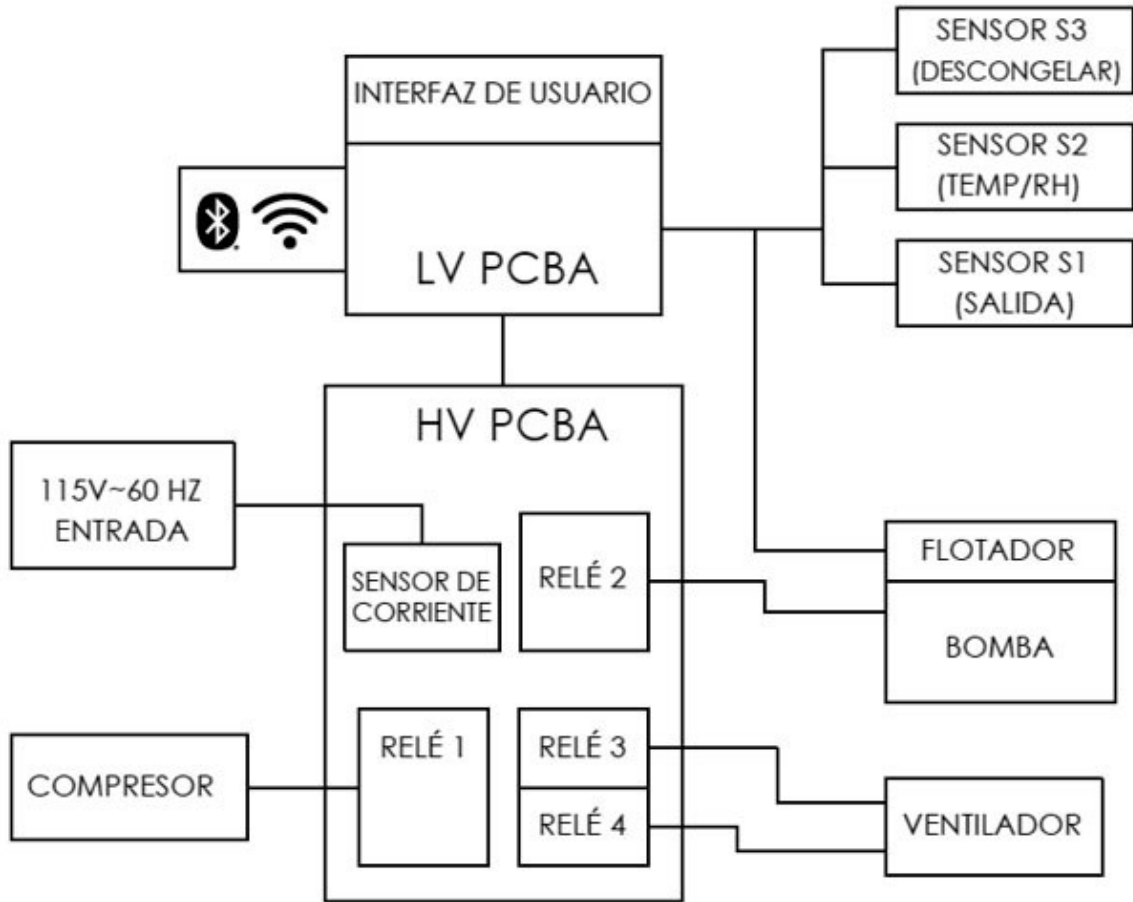
- Hay disponible equipo de protección personal (EPP) y se lo utiliza correctamente, y el técnico está completamente familiarizado con el equipo.
- Una persona competente supervisar el proceso de recuperación.
- La energía eléctrica está disponible antes del retiro del servicio activo y se aísla el sistema electrónicamente.
- Los refrigerantes pueden recuperarse de manera segura, y se debe tomar una muestra de aceite y refrigerante en caso de que se requiera un análisis antes de reutilizar el refrigerante recuperado.
- El equipo está disponible para la manipulación de los cilindros de refrigerante si es necesario. Asegúrese de que el equipo de recuperación y los cilindros cumplan con los estándares adecuados.
- Solo se utilizan cilindros apropiados (designados para refrigerante R32 y etiquetados como tales) para la recuperación, y la cantidad correcta de cilindros está disponible para mantener la carga total.

- Los cilindros se evacuan antes de su uso.
- El equipo de recuperación está funcionando y hay instrucciones disponibles.
- Hay básculas de pesaje calibradas disponibles, las mangueras tienen acoplamientos de desconexión sin fugas y están en buenas condiciones.
- La máquina de recuperación funciona correctamente y se ha sellado cualquier fuente de ignición potencial.
- No existe posibilidad de que se mezclen refrigerantes en cilindros o unidades de recuperación.
- Los compresores o aceites para compresores se evacuan adecuadamente si se van a retirar, y se evacúa el compresor antes de devolverlo a los proveedores, si se lo debe evacuar.
- El aceite se drena de manera segura si se lo debe drenar.

Proceso de retirada del servicio activo

- Bombee el sistema de refrigerante si es posible (de lo contrario, cree un colector para que el refrigerante pueda retirarse de las diferentes piezas), asegurándose de que el cilindro esté en las básculas antes de recuperar el refrigerante.
- Opere la máquina de recuperación de acuerdo con las instrucciones, sin llenar los cilindros más del 80 % de carga de volumen de líquido, sin exceder la presión máxima de trabajo de los cilindros y asegurándose de que estos se llenen correctamente y se retiren del sitio una vez finalizado el proceso.
- No cargue el refrigerante recuperado en otro sistema sin antes limpiarlo y verificarlo.
- Una vez finalizado, etiquete la unidad para indicar cuándo se retiró del servicio activo y se vació el refrigerante, la etiqueta debe estar fechada y firmada, y asegúrese de que haya etiquetas en el equipo que indiquen que contiene refrigerante inflamable.

DIAGRAMA DE BLOQUES DE CABLEADO DEL DESHUMIDIFICADOR (Solo para técnicos del servicio)



3 Manuel du propriétaire

DÉSHUMIDIFICATEUR PORTATIF LGR 6000Li

Modèle #103614 (F600)

Legend Brands, Inc.

15180 Josh Wilson Road, Burlington, WA 98233

Téléphone : 800-932-3030

LegendBrands.com

Brevets : LBpatents.com

© 2023 Legend Brands, Inc.





3.1 Présentation du Produit

Le déshumidificateur Dri-Eaz® LGR 6000Li réduit l'humidité dans des endroits fermés en éliminant la vapeur d'eau dans l'air. Le 6000Li est robuste, durable et hautement portatif, ce qui en fait l'équipement idéal pour réparer des dégâts causés par l'eau, sécher des structures, les travaux de construction et d'autres applications qui nécessitent une déshumidification temporaire, hautement performante.

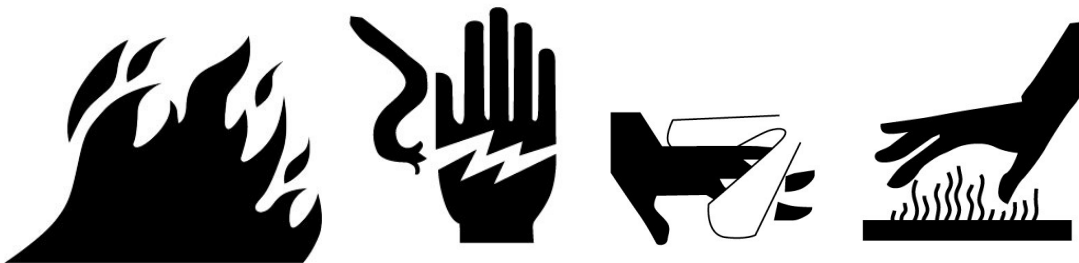
3.2 Avertissements de Sécurité

CONSERVER CES INSTRUCTIONS

INSTRUCTIONS DE SÉCURITÉ IMPORTANTES

▲ AVERTISSEMENT

AVERTISSEMENT! Ne pas modifier le Unit d'aucune façon. Utiliser seulement des pièces de rechange autorisées par Legend Brands, Inc. Toute modification ou l'utilisation de pièces non approuvées peut constituer un danger et annulera votre garantie. Contactez votre distributeur autorisé Dri-Eaz pour obtenir de l'aide.



AVERTISSEMENT! Danger d'explosion ou de combustion dû à un réfrigérant inflammable.

- Ne pas percer ou braser le déshumidificateur.
- N'essayez pas d'effectuer l'entretien du système de réfrigération! Seul le personnel d'entretien autorisé doit entretenir le système de réfrigération.
- Sachez que les gaz réfrigérants peuvent être inodores.

AVERTISSEMENT! Débrancher l'appareil avant le nettoyage ou l'entretien.

- Éteindre l'appareil et le débrancher avant de le soulever ou de le déplacer.
- Manipuler l'appareil avec précaution. Faire toujours fonctionner l'appareil sur une surface plane et stable. Ne pas laisser tomber l'appareil et ne pas le placer où il pourrait tomber. Un mauvais traitement peut endommager l'appareil et créer une condition dangereuse ou annuler la garantie.
- Inspecter le cordon d'alimentation avant l'utilisation. Si le cordon est endommagé, ne pas l'utiliser. Toujours saisir la fiche (pas le cordon) pour débrancher.
- L'appareil doit être branché sur un circuit 115V/60 Hz protégé par un disjoncteur différentiel de fuite à la terre (DDFT).
- Ne pas tenter de réparer l'appareil. Pour les centres de service autorisés, appeler




Dri-Eaz service au 800-932-3030.

AVIS : Ne pas utiliser dans des environnements contenant des produits chimiques corrosifs, tels que le chlore.

AVIS : L'unité ne doit pas être utilisée par des personnes ayant des capacités physiques, sensorielles ou mentales réduites, ou un manque d'expérience et de connaissances, à moins qu'elles n'aient reçu une supervision ou des instructions (y compris les enfants). Les enfants ne doivent pas être autorisés à jouer avec l'appareil.

Pour une élimination adéquate, cet appareil doit être apporté à un recycleur autorisé à traiter l'équipement de réfrigération.

 **AVERTISSEMENT :** Ce produit peut vous exposer à des produits chimiques, dont le plomb et les phtalates, reconnus par l'État de la Californie comme étant des substances pouvant causer le cancer, des anomalies congénitales et d'autres troubles de l'appareil reproducteur. Pour de plus amples renseignements, visitez P65Warnings.ca.gov

CONTIENT : FCC ID 2ADHKWINC3400; IC 20266-ATWINC3400; CAN-ICES-003(B)/MB-003(B)



3.3 Garantie et Enregistrement

Visitez [LegendBrands.com](https://www.LegendBrands.com) pour enregistrer votre achat. L'enregistrement de la garantie nous permet de mieux vous assister avec l'utilisation, l'entretien ou la réparation de votre équipement et de vous contacter dans le cas où nous avons des informations de sécurité importantes à vous communiquer concernant votre produit Dri-Eaz. Si vous estimez qu'une réparation ou entretien est nécessaire, ayez à portée de main le modèle de l'appareil, le numéro de série et la preuve originale d'achat avant d'appeler votre distributeur pour assistance qui vous donnera une autorisation de retour de matériel (RMA).

3.4 Commandes et Mode d'emploi

METTEZ L'UNITÉ DEBOUT EN POSITION VERTICALE.

AVIS : Le transport ou l'entreposage de l'unité dans la position horizontale n'est pas recommandé. Lorsque la machine est placée en position horizontale, l'huile du compresseur peut s'écouler dans les serpentins du réfrigérant et cela peut réduire les capacités de fonctionnement du déshumidificateur et causer des dommages éventuels de l'appareil. Si l'unité a été placée en position horizontale, mettez-la debout en position verticale et laissez-la dans cette position pendant au moins 30 minutes avant de la mettre en marche.

POSITIONNER UN DÉSHUMIDIFICATEUR

Pour obtenir des résultats optimaux, faites fonctionner votre déshumidificateur dans un endroit fermé. Fermez toutes les portes et les fenêtres pour maximiser l'absorption d'eau de l'appareil. Éloignez votre déshumidificateur des obstructions et de tout objet pouvant gêner le flux d'air dans et hors de l'appareil.

POIGNÉE D'EXTENSION

Relâchez la poignée en tournant la manette rouge vers l'extérieur, puis positionnez la poignée vers le haut. Tournez la manette rouge de nouveau pour la bloquer en positionnement de fonctionnement.

AVIS : N'utilisez pas la poignée d'extension pour soulever l'appareil du sol, de manière horizontale. N'utilisez pas la poignée d'extension comme dispositif de fixation pour attacher l'unité dans un véhicule pour le transport. Une telle utilisation exerce une pression excessive sur les points d'attache de la poignée dans le logement.

MISE EN PLACE LE TUYAU DE VIDANGE

Cet appareil pompe de l'eau automatiquement sur une base régulière. Ce déshumidificateur est équipé d'un raccord à connexion rapide pour l'attachement au tuyau de vidange fourni (12 m - 40 ft), situé sur le plateau sur le dessus de l'unité. Déballer le tuyau entier et placez l'extrémité ouverte dans un bac, drain ou seau, ou dehors, dans un endroit où l'eau peut s'écouler en toute sécurité. Si vous utilisez un seau ou un autre contenant pour la collecte de l'eau, vérifiez régulièrement pour éviter un débordement.

AVIS : Déroulez et redressez le tuyau de vidange entier. Ne laissez aucune partie du tuyau enroulée sur l'unité et ne placez pas l'extrémité du tuyau à une hauteur de plus de 6 m (20 ft), à partir du bas de l'unité. Vérifiez aussi qu'il n'y ait pas de torsion ou d'obstructions qui puissent restreindre le flux d'eau. Une torsion ou une obstruction du câble peut entraîner un arrêt de l'unité et produire un code d'erreur.

BRANCHER LE CÂBLE ÉLECTRIQUE

Le déshumidificateur doit être branché sur une prise de 115 volts avec protection DDFT, d'au moins 15 amps.

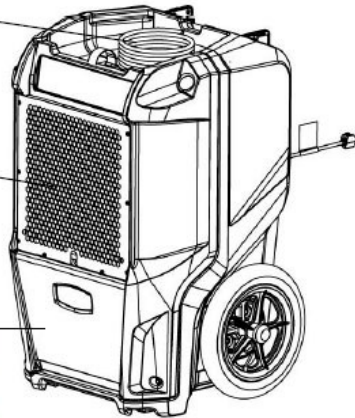
FIG. A: IDENTIFICACIÓN DE PIEZAS

FRENTE

Almacenamiento de la manguera de drenaje.

Entrada de aire húmedo. Filtro de aire.

Panel delantero. Extraígallo para acceder a la bomba y a las bobinas para su limpieza. Vea la Fig. B.



PARTE POSTERIOR

Mango integrado. Use la palanca roja para bloquear el mango en posición vertical para usar o abajo para cargar o almacenar.

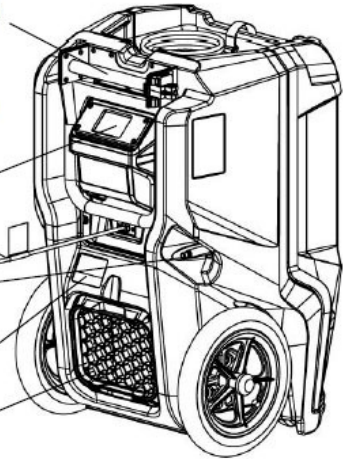
Panel de control.

Cable de alimentación.

Conexión rápida de la manguera de drenaje.

Etiqueta con el número de serie del modelo.

Salida de aire (deshumidificado) tras el proceso.



3.5 Command Hub

COMMENT UTILISER LE COMMAND HUB


Le i-Series Command Hub offre des contrôles complets pour le déshumidificateur et des données détaillées en temps réel sur l'environnement à sécher, ainsi que les heures de travail; des messages d'auto-diagnostic, des rappels d'entretien et le statut de fonctionnement.


Pour des informations détaillées et des instructions supplémentaires, veuillez visiter la page du i-Series Command Hub sur LegendBrands.com


AFFICHAGES ÉCRAN D'ACCUEIL


Unité FERMÉE
L'unité doit être branchée.

Barre d'affichage supérieure:
Heures de travail, heure actuelle

Appuyez sur  MENU pour accéder aux réglages et aux contrôles de configuration




Appuyez sur  PURGER pour vidanger le réservoir

Appuyez sur  OUVERT/FERMÉ pour ouvrir l'unité.

Job 0.0h Jeu Sep 17 2:27 PM 


Entrée	Sortie
--	--
--	--


ARRÊT






Unité OUVERTE
Appuyez sur OUVERT/FERMÉ pour ouvrir l'unité.

Barre d'affichage supérieure:
Heures de travail, heure actuelle
Affichage de l'information:
Température entrée/sortie, % HR et GPP
Retrait actuel GPP





Barre de menu du bas:
 GPP d'entrée de référence rapide.
1: <60 GPP; 2: 60 à 90 GPP; 3:> 90 GPP

Appuyez sur  MENU pour accéder aux

Job 0.0h Jeu Sep 17 2:27 PM 

Entrée	Sortie
80.0°F 60%	107.1°F 48%
91 GPP	67 GPP

Δ24 GPP

réglages et aux contrôles de configuration

Appuyez sur  PURGER pour vidanger le réservoir

Appuyez sur  OUVERT/FERMÉ pour fermer l'unité.



3.6 Erreurs et Avertissements

Si le système de contrôle détecte un problème, il affichera un symbole «Alerte» dans le coin supérieur droit de l'écran. Appuyez sur ON / OFF pour afficher le message et sur OK pour effacer le message. REMARQUE: En cas d'erreur, l'unité ne fonctionnera pas tant que le problème ne sera pas résolu. Reportez-vous aux explications et solutions ci-dessous. Si ces solutions ne résolvent pas le problème, contactez votre centre de service local agréé pour obtenir de l'aide.

MESSAGE DU PANNEAU DE COMMANDE	EXPLICATION ET SOLUTION
<p>ER4 erreur contacts de la thermistance de dégivrage —or— ER4 erreur contacts de la thermistance de sortie</p>	<p>Le capteur de température est ouvert, manquant ou court-circuité. Vérifiez que les capteurs de température sont installés correctement sur le panneau de commande. Si l'erreur persiste, contactez le service d'assistance.</p>
<p>ER5 erreur capteur RH1 temp/HR d'entrée</p>	<p>Le capteur temp/RH en entrée est ouvert, manquant ou court-circuité. Vérifiez que le capteur temp/RH en entrée est installé correctement sur le panneau de commande et l'enveloppe d'admission. Si l'erreur persiste, contactez le service d'assistance.</p>
<p>ER6 erreur défaillance du capteur de courant</p>	<p>Panne du capteur de courant. Si l'erreur persiste, contactez le service d'assistance.</p>
<p>ER9 erreur pompe bloquée</p>	<p>Vérifiez s'il y a des obstructions. Est-ce que le tuyau est tordu sous l'unité ou coincé sous une roue ? Vérifiez que la pompe n'est pas obstruée et corrigez si nécessaire.</p>
<p>W1 Basse BATTERIE</p>	<p>Remplacez la pile bouton (3 V, CR2032) sur le panneau de commande.</p>
<p>W2 Erreur BLE W3 Flash Reset W4 WDT Reset</p>	<p>Remettez le déshumidificateur sous tension. Si l'avertissement persiste, contactez le service.</p>

3.7 À la Fin du Travail

Pour réduire la possibilité d'égouttement lors du déplacement de l'unité, suivez ces étapes supplémentaires pour vous assurer que toute l'eau est éliminée de l'unité.

REMARQUE : L'unité termine le cycle de dégivrage même si elle est à l'arrêt mais reste toujours branchée. Si l'unité est débranchée durant le cycle de dégivrage, un excédent d'eau peut s'accumuler dans l'unité et peut s'égoutter lorsque vous déplacez l'unité.

REMARQUE : Pour s'assurer que le bac de condensat se vide complètement durant la purge, vérifiez que l'unité est positionnée debout, à la verticale sur une surface horizontale.

- 1. Ne mettez pas l'unité à l'arrêt ou ne la déplacez pas jusqu'à ce qu'elle revienne en mode de fonctionnement normal.**
- 2. Secouez doucement la machine pour vérifier que l'eau restante sur les surfaces intérieures s'écoule dans le puisard.**
- 3. Appuyez sur la touche PURGE. Lorsque le cycle de purge est terminé, arrêtez la machine.**
- 4. Retirez le tuyau de vidange externe, drainez-le soigneusement, enrroulez-le et remettez-le sur le plateau de rangement en haut de l'unité.**

3.8 Transport et Stockage

IMPORTANT : Avant de déplacer, transporter ou ranger l'unité, purgez l'unité et rangez le tuyau et le câble d'alimentation tel qu'il est décrit dans la section ci-dessus « À la fin de la tâche ».

AVIS : Manipulez l'unité avec précaution. Ne faites pas tomber l'unité ou ne la placez pas dans un endroit d'où elle pourrait tomber. Un traitement sans précautions peut endommager le déshumidificateur et causer un risque de danger ou annuler la garantie.

- Ne pas utiliser dans des environnements avec des gaz combustibles, des appareils de chauffage électriques ou des flammes nues.
- N'exposez pas le panneau de commande à l'humidité, la neige ou la pluie.
- Entreposez et transportez l'unité de manière sûre pour éviter des dommages des pièces internes.
- Sécurisez l'unité durant le transport pour éviter qu'elle ne glisse et cause des blessures aux occupants du véhicule.
- Ne transportez pas ou n'entreposez pas l'unité sur sa face avant, sur les côtés ou sur le dos. Ceci permet d'éviter que l'humidité restante ne s'échappe de l'unité ou s'égoutte dans des parties en dehors du puisard.

3.9 Programme d'entretien

Consultez les VIDÉOS DE SERVICE à l'adresse [Legendbrands.com/resources/service-technical-support/](https://www.legendbrands.com/resources/service-technical-support/) pour obtenir des instructions détaillées sur l'entretien de cet appareil.

AVERTISSEMENT! Danger d'explosion ou de combustion dû à un réfrigérant inflammable.

- Ne pas utiliser dans des environnements avec des gaz combustibles, des appareils de chauffage électriques ou des flammes nues.
- Ne pas percer ou braser le déshumidificateur.
- N'essayez pas d'effectuer l'entretien du système de réfrigération! Seul le personnel d'entretien autorisé doit entretenir le système de réfrigération.
- Sachez que les gaz réfrigérants peuvent être inodores.

AVERTISSEMENT! RISQUE DE CHOC ÉLECTRIQUE. Débranchez le déshumidificateur avant d'effectuer une opération de maintenance.

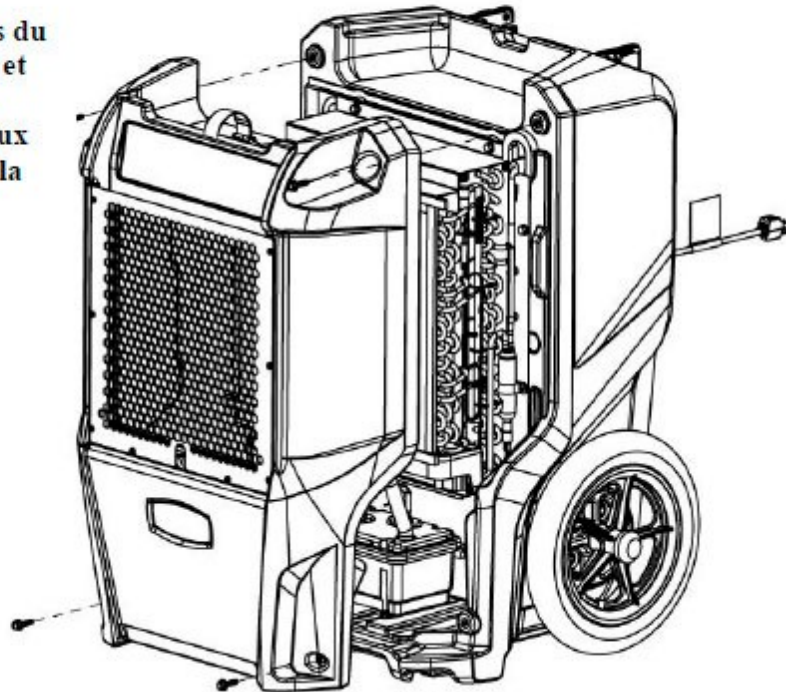
AVERTISSEMENT! Risque d'exposition à la poussière et à des contaminants.

L'utilisation d'un masque respiratoire et de gants est recommandée. Si l'unité a été exposée à des contaminants potentiellement dangereux, nettoyez en profondeur et désinfectez avant réutilisation..

AVIS : L'unité est équipée de capteurs électroniques sensibles. Protégez les capteurs et leurs fils conducteurs des dommages et ne les exposez pas à l'eau ou à une solution de nettoyage.

Fig. B : Démontage pour le nettoyage

Retirez les 4 vis du panneau avant et faites coulisser pour accéder aux serpentins et à la pompe pour effectuer une opération



Les outils et les fournitures suivants sont nécessaires pour effectuer les procédures de maintenance décrites dans ce manuel :

- Tournevis Philips
- Embout T-20 Torx
- Tournevis 10 mm ou douille et cliquet
- Chiffons de nettoyage
- Aspirateur HEPA avec embout à brosse douce et suceur plat.

Recommandé

Perceuse sans fil, petit couteau, petites pinces, solution de nettoyage de serpentin, solution de nettoyage de logement rotomoulé.

AVANT CHAQUE UTILISATION

Inspecter le câble électrique pour détecter les dommages. Détectez les coupures, effilochages, etc. Remplacez le câble s'il est endommagé.

Inspecter le filtre. Remplacez le filtre si une accumulation de poussière et de débris est visible.

AVIS : Remplacez les filtres usés seulement avec un nouveau filtre Dri-Eaz n° #100254 (F579) (boîte de 24). Les autres types de filtre n'offrent pas une filtration ou



un flux d'air adéquat. Chaque filtre est emballé individuellement pour préserver l'efficacité de la filtration. Retirez l'emballage avant d'installer le filtre dans le déshumidificateur.

TOUS LES MOIS

Inspecter les serpentins. Nettoyez lorsque l'accumulation de poussière est visible. Durant une utilisation normale, de la poussière peut s'accumuler et restreindre le flux d'air, réduire la performance et causer une surchauffe de l'unité.

Pour préserver l'aspect de l'unité, essuyez les surfaces intérieures et extérieures avec un chiffon humide. Pour un nettoyage approfondi et obtenir un lustre protecteur et durable, utilisez un produit de traitement d'intérieur automobile.

SI NÉCESSAIRE

Nettoyer le clapet antiretour de la pompe et le bac Cela nécessite le retrait du logement avant.

Nettoyer les serpentins. Inspectez le serpentin d'évaporateur horizontal (froid) avec le couvercle avant retiré. Si un excédent de poussière et de débris est présent, aspirez en profondeur et/ou nettoyez avec un produit nettoyant pour serpentin.

3.10 Dépannage

DÉFAULT	CAUSE	SOLUTION
L'eau s'égoutte lors du déplacement de l'appareil	L'appareil a été débranché avant que l'évacuation soit terminée.	Évacuer toute l'eau de l'appareil avant de le déplacer. Voir « À LA FIN DU TRAVAIL » ⁶³ .
L'appareil ne fonctionne pas	L'appareil n'est pas allumé. Pas d'alimentation à l'appareil.	Allumer l'appareil. Brancher l'appareil : vérifier la connexion du cordon d'alimentation à la prise murale.
L'appareil fonctionne mais la salle n'est pas sèche	Pas assez de temps pour le séchage. Faible mouvement d'air dans la salle. Infiltration excessive d'air humide.	Vérifiez que l'hygrostat (« Humidistat ») est sur OFF. Prévoir plus de temps pour le séchage. Améliorer la circulation de l'air avec des dispositifs de ventilation. Sceller la zone pour réduire l'infiltration.
L'unité ne collecte pas assez d'eau.	L'air de la pièce est sec. La température de la pièce est trop basse. Le filtre est plein. Les serpentins sont bouchés.	Vérifiez que l'hygrostat (« Humidistat ») est sur OFF. Vérifiez le niveau d'humidité avec l'hygromètre. Augmentez la température de la pièce. Vérifiez le filtre. Remplacez si nécessaire. Vérifiez les serpentins. Nettoyez si nécessaire.
Si le problème que vous rencontrez ne figure pas dans ce tableau, veuillez notre centre de service au 800 932 3030 pour obtenir de l'aide.		

3.11 Spécification

Modèle	LGR 6000Li 103614 (F600)
Évacuation de l'eau @80°F/60% 26.7°C/60% RH	100 pts. 47,3 L / jour
Saturation de l'élimination de l'eau @90°F/90% 32.2°C/90% RH	219 pts. 103,6 L / jour
Élimination de l'eau à faible grain @80°F/20% 26.7°C/20% RH	9 pts. 4,3 liters / jour
Air de traitement (max.)	320 CFM 544 CMH
Max. Oper. Temp.	40°C 104°F
Dimensions (H × D × W)	32,1 × 198 × 20,0 in. 81,5 × 50,3 × 50,0 cm
Poids	103 lbs. 46,7 kg
Amps	6,5A
Courant d'entrée (104°F/35%RH 40°C/35%RH)	7.8A
Pouvoir électrique	115V, 60Hz, 748W
Réfrigérant	R32, 0.496 kg (17.5 oz)
Altitude maximale d'utilisation	3 km 10 000 pi
Plage de fonctionnement	33°F–100°F 1°C–38°C
Niveau de bruit (moyen)	53 dB
Tuyau de vidange	40 ft. 12,2 m
Câble d'alimentation	25 ft. 7,6 m
Construction	Coque rotomoulée
Sécurité	Conforme à UL STD 60335-1 & 60335-2-40 Certifié pour CSA STD. C22.2 NO. 60335-1 & CO335-2-40
Les caractéristiques techniques sont sujettes à des changements sans préavis. Certaines valeurs peuvent être approximatives.	



3.12 Pièces Incluses

PIEZAS INCLUIDAS

Tuyau de vidange: 40 ft. | 12,2 m

Câble d'alimentation: 25 ft. | 7,6 m

OPTIONAL

Filtre à air N° pièce #100254 (F579) (boîte de 24)



3.13 Informations Supplémentaires

Des informations supplémentaires sur le produit et la documentation actuelle sont disponibles sur LegendBrands.com.

N'oubliez pas de visiter LegendBrands.com et d'enregistrer votre achat. Votre inscription nous aidera à vous communiquer les mises à jour sur le produit, si nécessaire.

Pour une mise au rebut correcte, cette unité doit être déposée dans un centre de recyclage agréé pour le traitement des équipements de réfrigération.

3.14 Pour les techniciens d'entretien seulement

POUR LES TECHNICIENS D'ENTRETIEN SEULEMENT

Procédures de sécurité requises pour l'entretien des déshumidificateurs avec du réfrigérant R32 :

- Examiner la zone pour s'assurer qu'il n'y a pas de sources d'inflammation pouvant entraîner un risque d'incendie et qu'il n'y a pas de flammes nues ou d'autres sources d'inflammation potentielles pour la détection du réfrigérant, et que l'équipement de détection des fuites est réglé à un pourcentage de la LII et est étalonné pour le frigorigène utilisé.
- Poser des panneaux « Ne pas fumer ».
- Afficher les procédures d'inspection des composants avant la réparation ou l'entretien des composants électriques, y compris s'assurer que les condensateurs sont déchargés, qu'il y a une continuité de liaison et qu'aucun composant électrique ou câblage n'est exposé.
- Débrancher le bloc d'alimentation avant la réparation.
- Suivre les procédures de sécurité pour le retrait et l'évacuation du réfrigérant, la purge du circuit avec du gaz inerte, l'ouverture du circuit en coupant ou braser et récupérer la charge dans les bons cylindres de récupération. Si la ventilation n'est pas autorisée par les codes nationaux, purger le système avec de l'azote sans oxygène si le système doit être purgé, purger le système à la pression atmosphérique si une charge d'azote sans oxygène est utilisée et s'assurer que la sortie de la pompe à vide n'est pas proche de sources d'inflammation potentielles.

Avant de mettre hors service des unités contenant du réfrigérant R32, vous devez vous assurer que :

- L'EPI est disponible et utilisé correctement et que le technicien connaît parfaitement l'équipement.
- Le processus de rétablissement est supervisé par une personne compétente.
- L'alimentation électrique est disponible avant la mise hors service et isole le système électroniquement.
- Les réfrigérants peuvent être récupérés en toute sécurité, en prélevant un échantillon d'huile et de réfrigérant au cas où une analyse serait nécessaire avant la réutilisation du réfrigérant récupéré.
- L'équipement est disponible pour manipuler les bouteilles de réfrigérant au besoin. S'assurer que l'équipement et les bouteilles de récupération sont conformes aux normes appropriées.
- Seuls les cylindres appropriés (désignés pour le réfrigérant R32 et étiquetés comme tels) sont utilisés pour la récupération, et le bon nombre de cylindres pour maintenir la charge totale est disponible.

- Les bouteilles sont évacuées avant utilisation.
- L'équipement de récupération fonctionne et des instructions sont disponibles.
- Des balances calibrées sont disponibles, les tuyaux sont dotés de raccords de déconnexion sans fuite et sont en bon état.
- La machine de récupération fonctionne correctement et toute source d'inflammation potentielle est scellée.
- Il n'y a pas de risque de mélange de réfrigérants dans les cylindres ou les unités de récupération.
- Les compresseurs ou les huiles de compresseur sont évacués correctement s'ils doivent être retirés et évacués avant de retourner le compresseur aux fournisseurs s'il est évacué.
- L'huile est vidangée en toute sécurité si elle doit être vidangée.

Processus de mise hors service

- Pompez le système de réfrigérant si possible (autrement, en créant un collecteur afin que le réfrigérant puisse être retiré de diverses pièces), en vous assurant que le cylindre se trouve sur les balances avant de récupérer le réfrigérant.
- Faire fonctionner la machine de récupération conformément aux instructions, ne pas remplir les bouteilles à plus de 80 % du volume de liquide, ne pas dépasser la pression de service maximale des bouteilles et s'assurer que les bouteilles sont remplies correctement et retirées du site une fois le processus terminé.
- Ne pas charger le réfrigérant récupéré dans un autre système avant qu'il n'ait été nettoyé et vérifié.
- Après avoir terminé, étiquetez l'appareil pour indiquer quand il a été mis hors service et vidé de réfrigérant, que l'étiquette doit être datée et signée et qu'il y a des étiquettes sur l'équipement indiquant qu'il contient du réfrigérant inflammable.

SCHÉMA DE CÂBLAGE DU DÉSHUMIDIFICATEUR

(Pour les techniciens d'entretien seulement)

